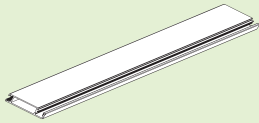
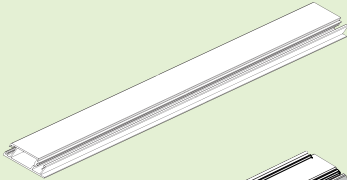
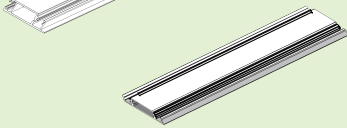
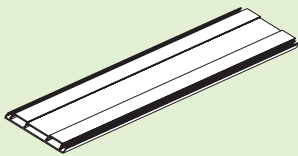
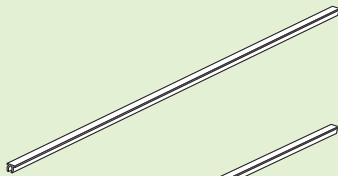
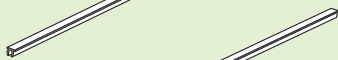


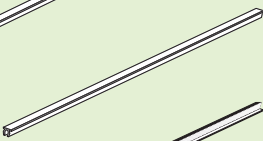
A ET2580-A

B  ET2580-B
 ET2582-BC  ET2580-C
 ET2582-CD  ET2580-D
 ET2582-DE  ET2580-E
 ET2582-E

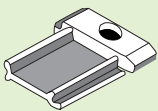


F ET2580-F



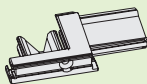

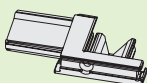
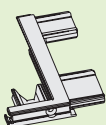


G ET2580-G



H ET2580-H

I  ET2580-I
 ET2582-I

I-2 ET2580-I-2

J  ET2580-J
 ET2582-JK  ET2580-K
 ET2582-KL  ET2580-L
 ET2582-LM  ET2580-M
 ET2582-M

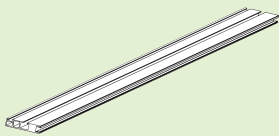
N ET2580-N



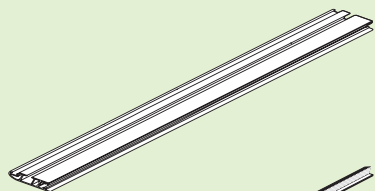




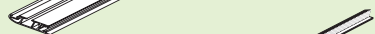
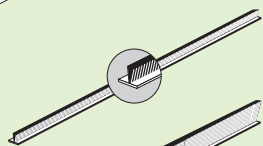
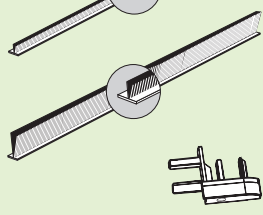
O ET2580-O



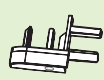




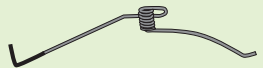






- 


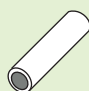


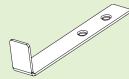
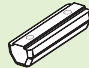

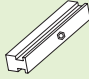


A2  **ET2580-A2**
 **ET2582-A2**
- 

B2  **ET2580-B2**
 **ET2582-B2**
- 
C2 **ET2580-C2**
- 
D2 **ET2580-D2**
- 

E2  **ET2580-E2**
 **ET2582-E2**
- 

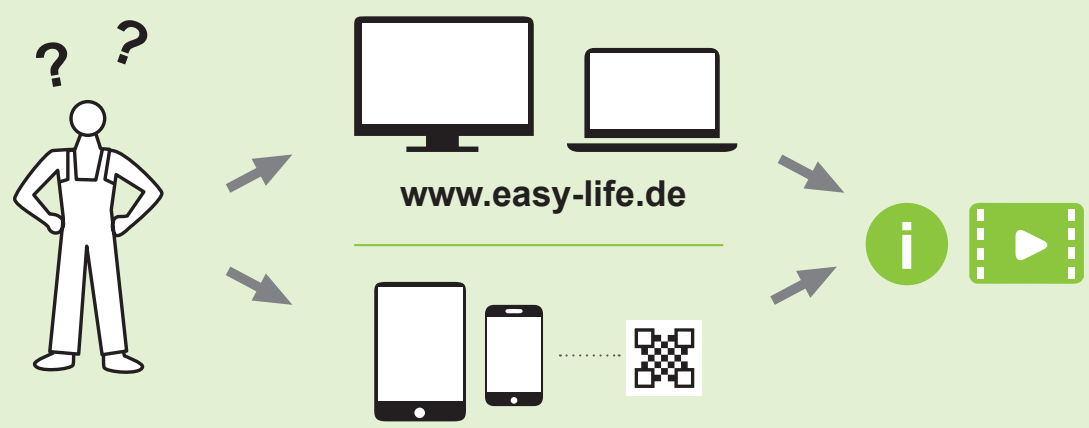
F2  **ET2580-F2**
 **ET2582-F2**
- 
G2 **ET2582-G2**
- 

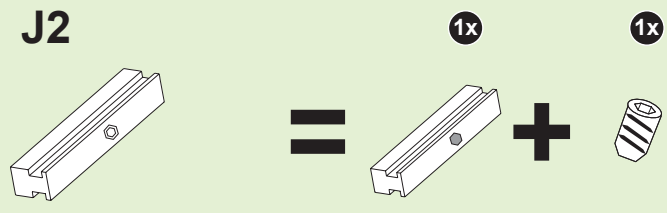
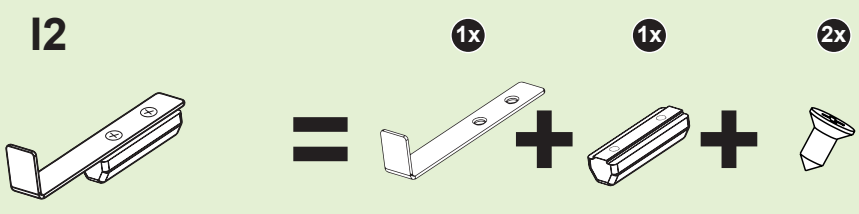
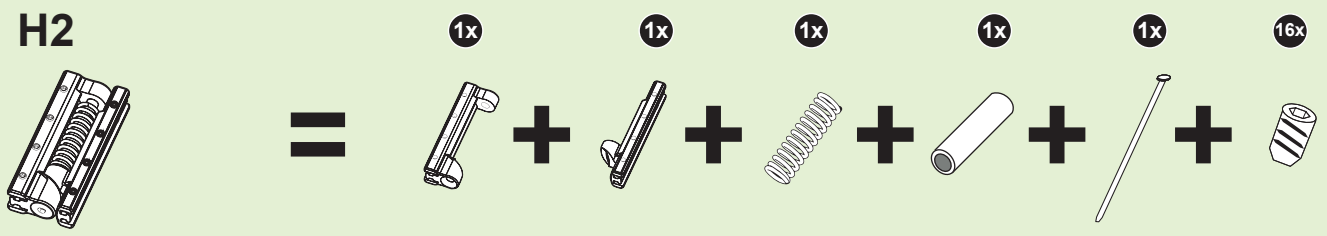
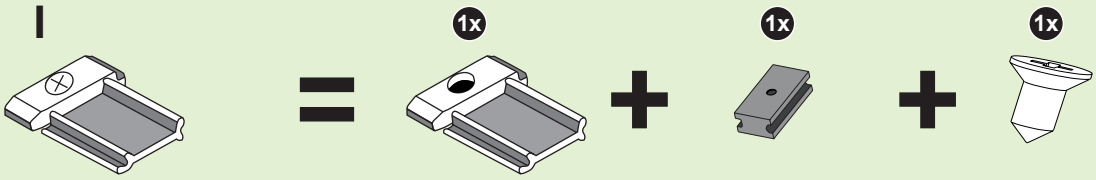
H2-1  **ET2580-H2-1**
 **ET2582-H2-1**
- 

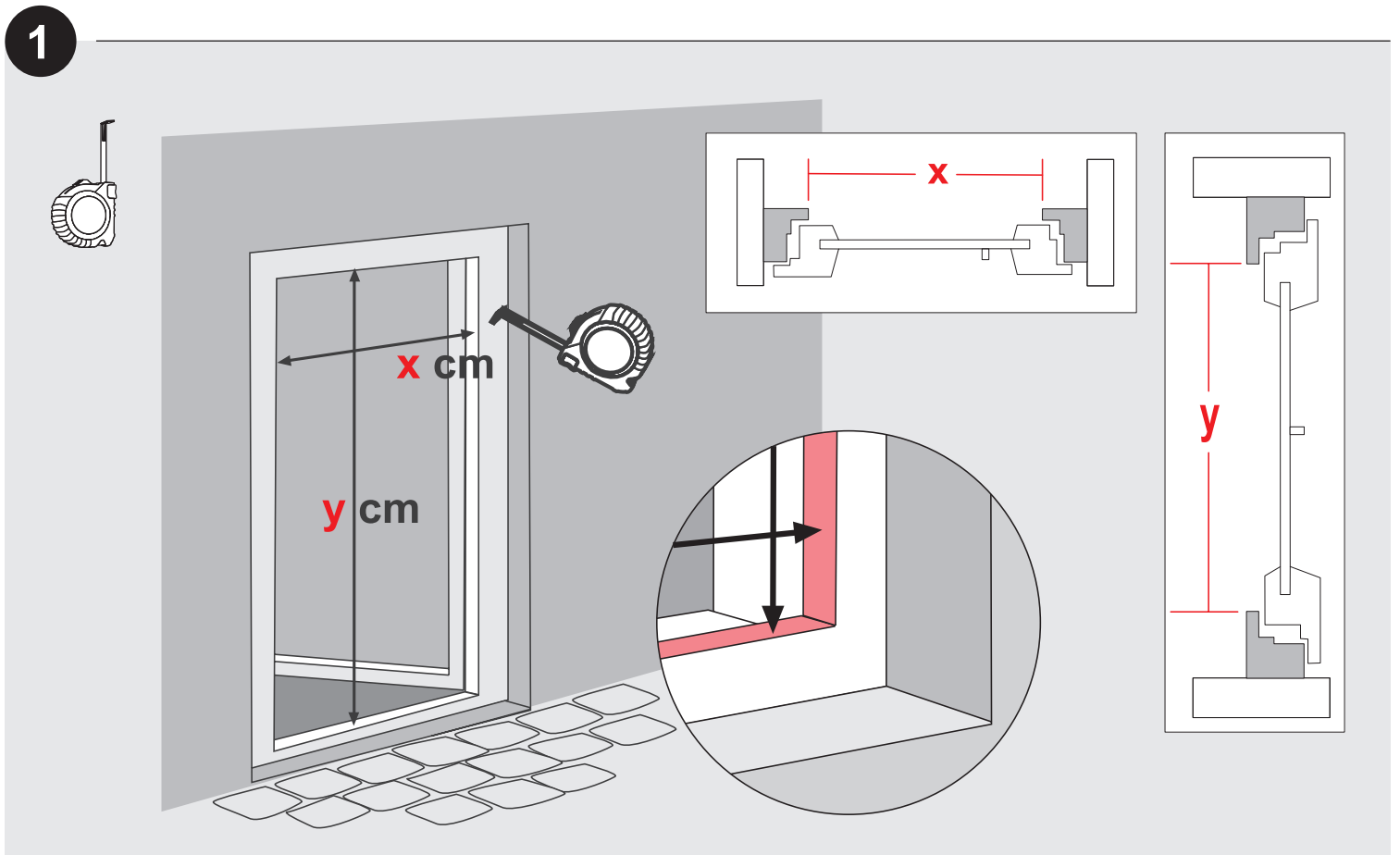
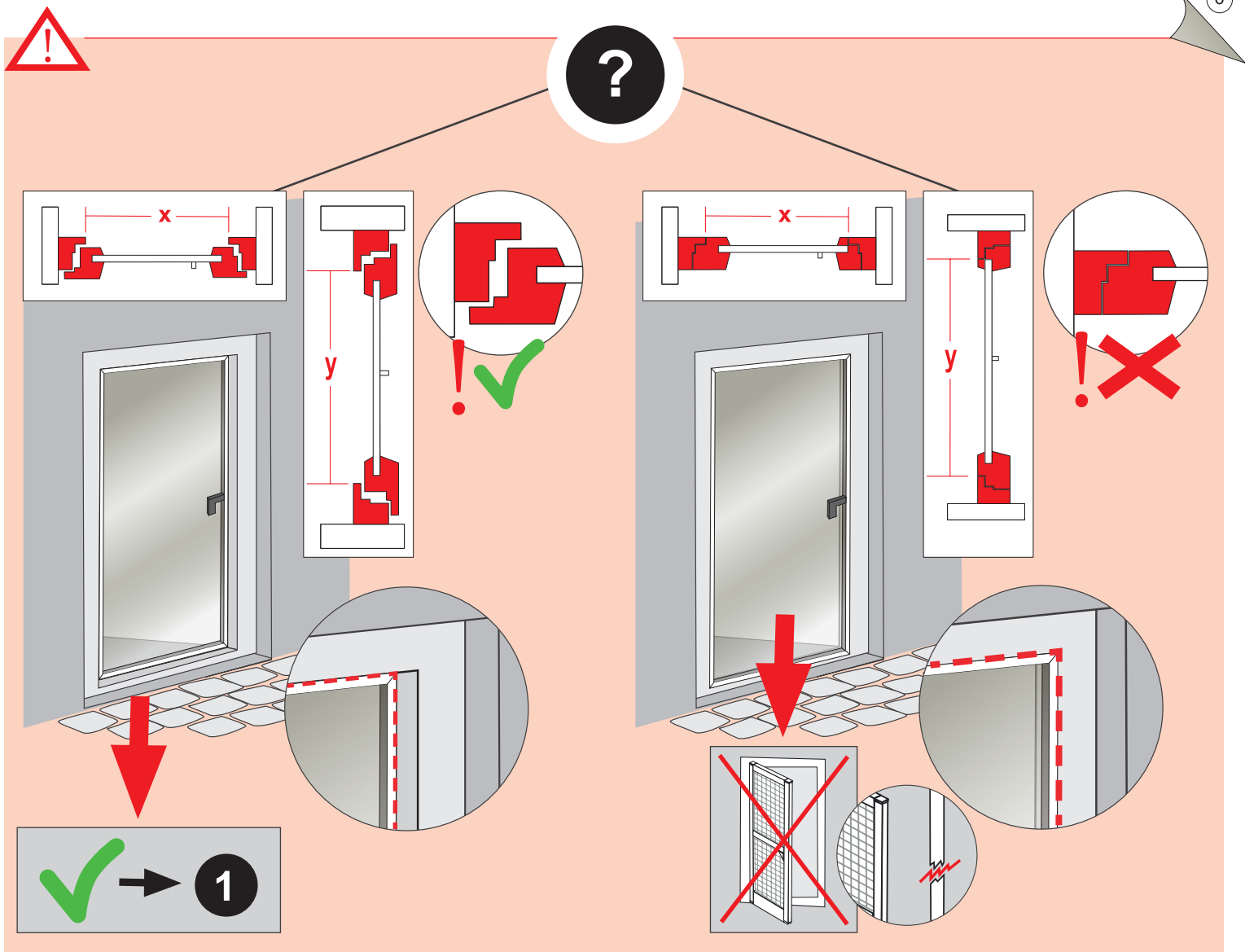
H2-2 **ET2580-H2-2**
ET2582-H2-2
- 
H2-3 **ET2582-H2-3**
- 
H2-4 **ET2580-H2-4**
- 
H2-5 **ET2580-H2-5**
- 
H2-6 **ET2580-H2-6**
- 
I2-1 **ET2580-I2-1**
- 
I2-2 **ET2580-I2-2**
- 
I2-3 **ET2580-I2-3**
- 
J2-1 **ET2580-J2-1**
- 
J2-2 **ET2580-J2-2**
- 
K2 **ET2580-K2**

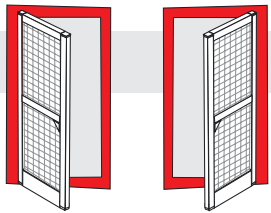


www.easy-life.de



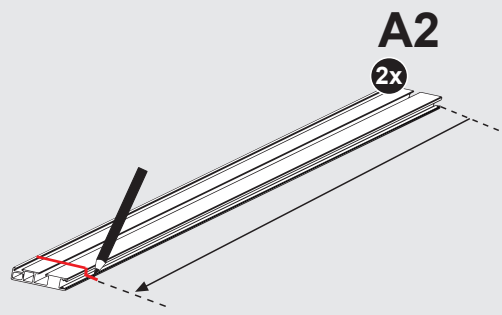
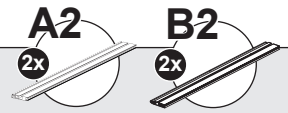




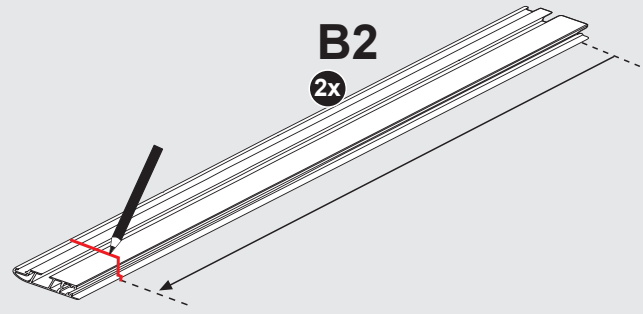


A2 - K2

2

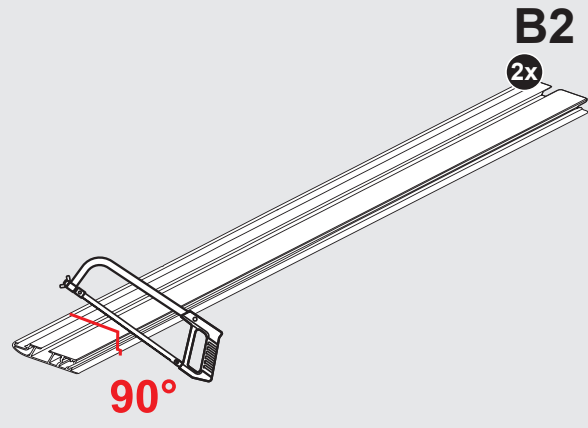
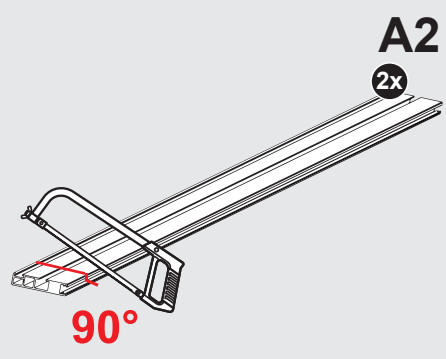
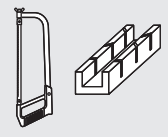


X cm - 3,8cm

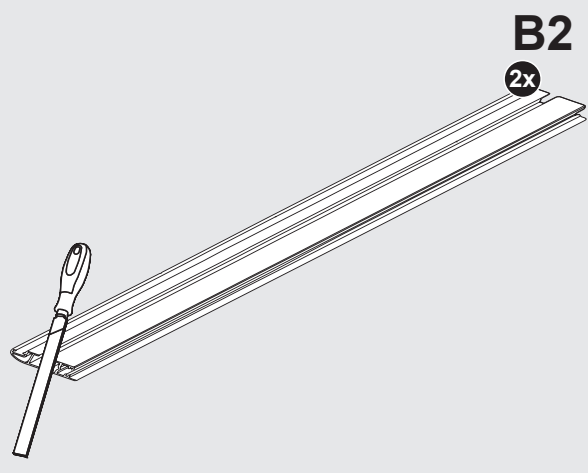
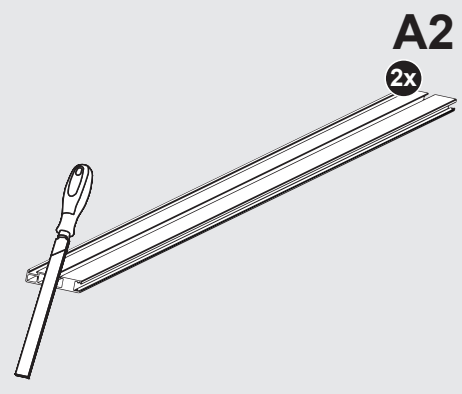


Y cm + 2,3cm

3

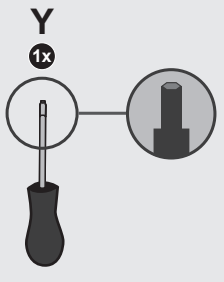


4

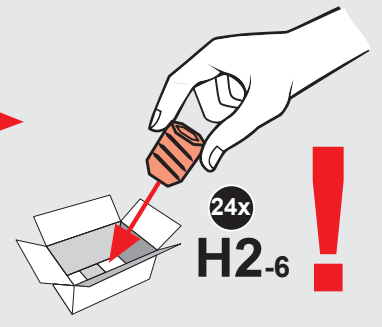
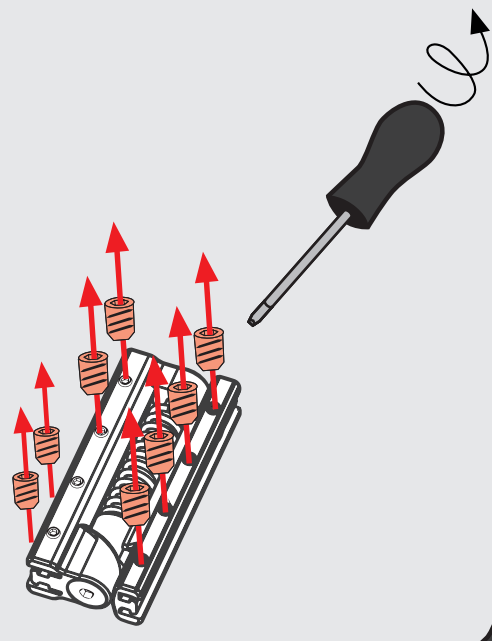


5

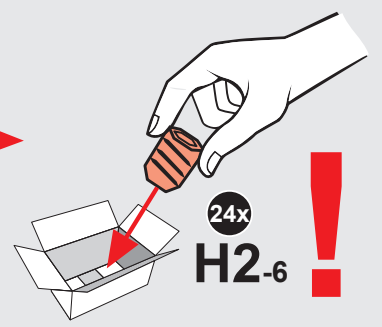
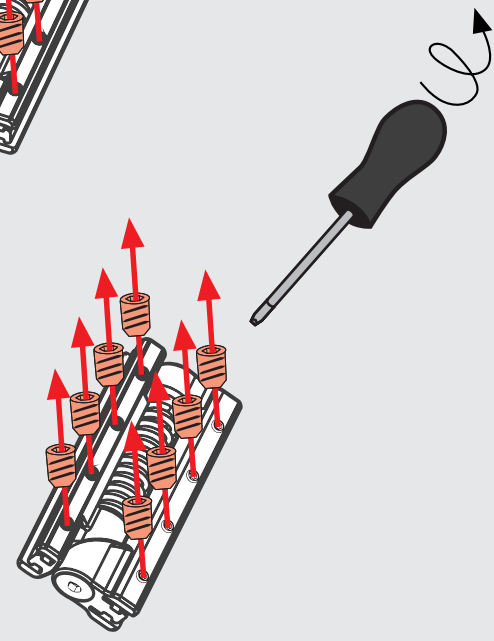
H2
3x



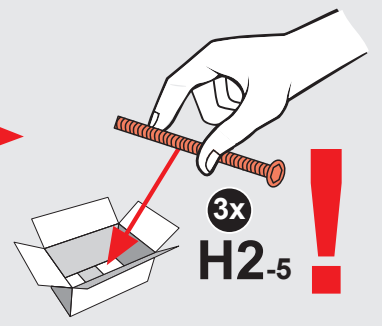
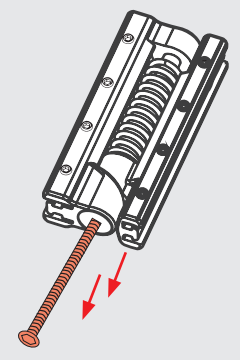
3x



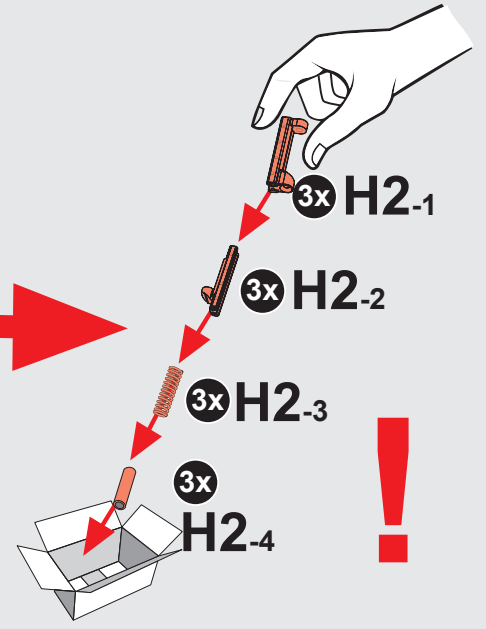
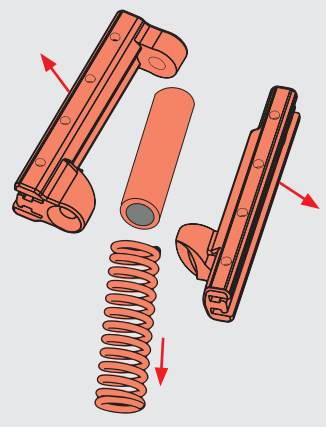
3x



3x



3x

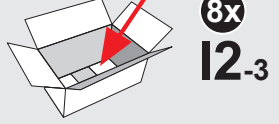
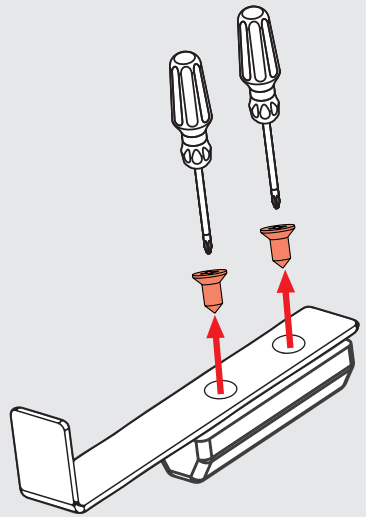


6

I2
4x



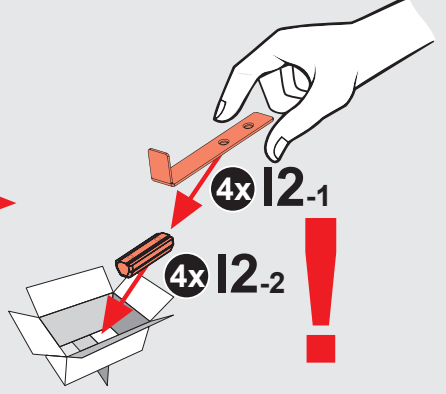
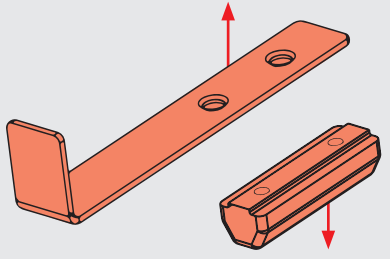
4x



8x
I2-3



4x



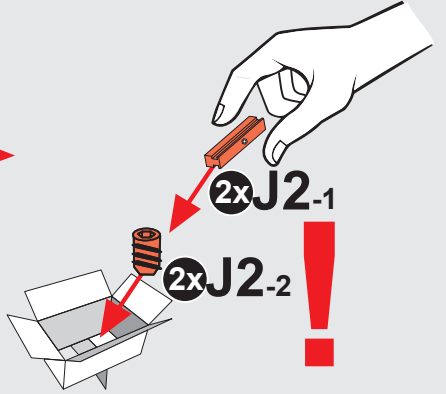
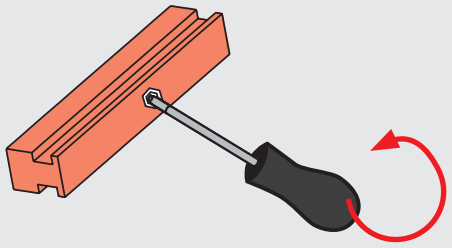
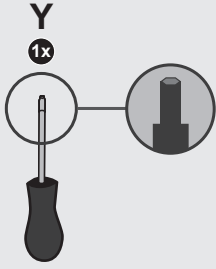
4x I2-1

4x I2-2



7

J2
2x

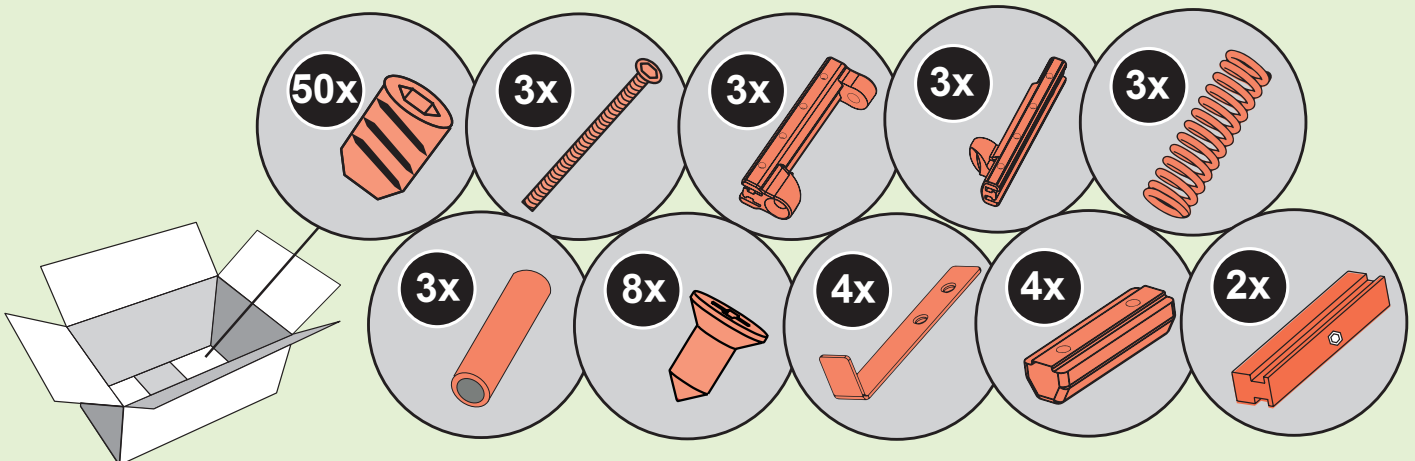


2x J2-1

2x J2-2



i

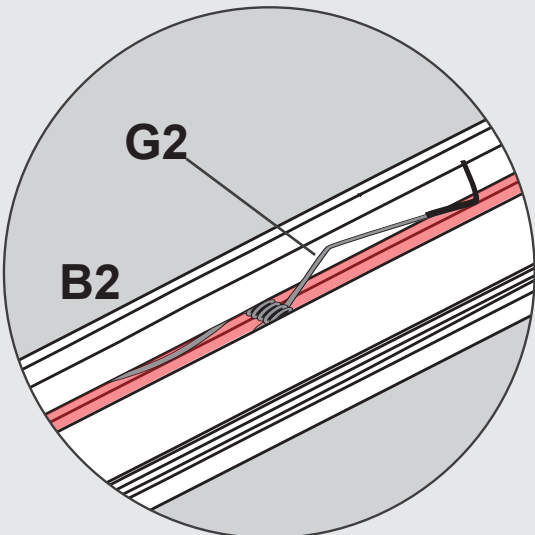
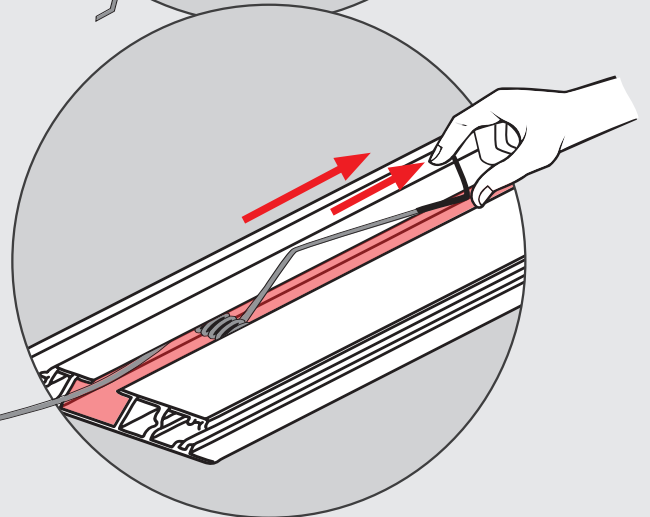
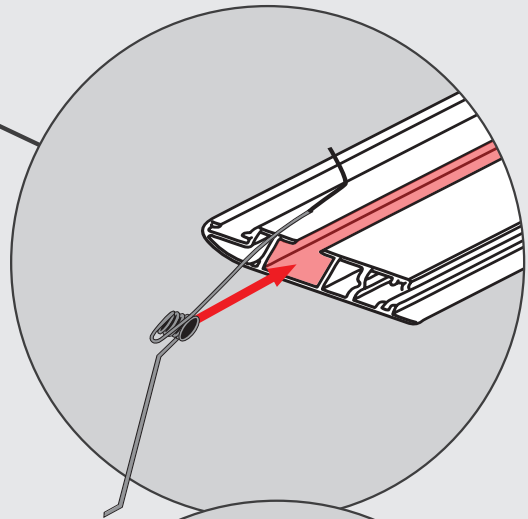
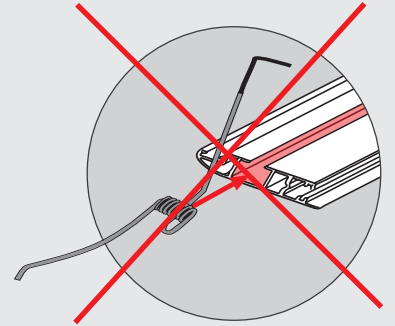
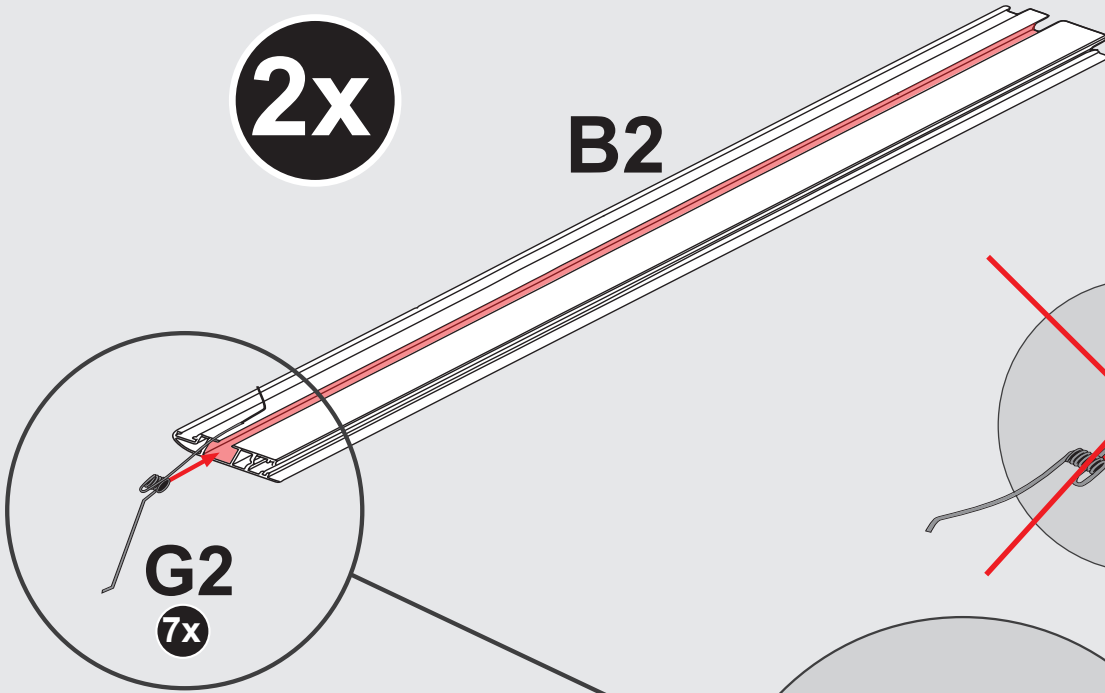


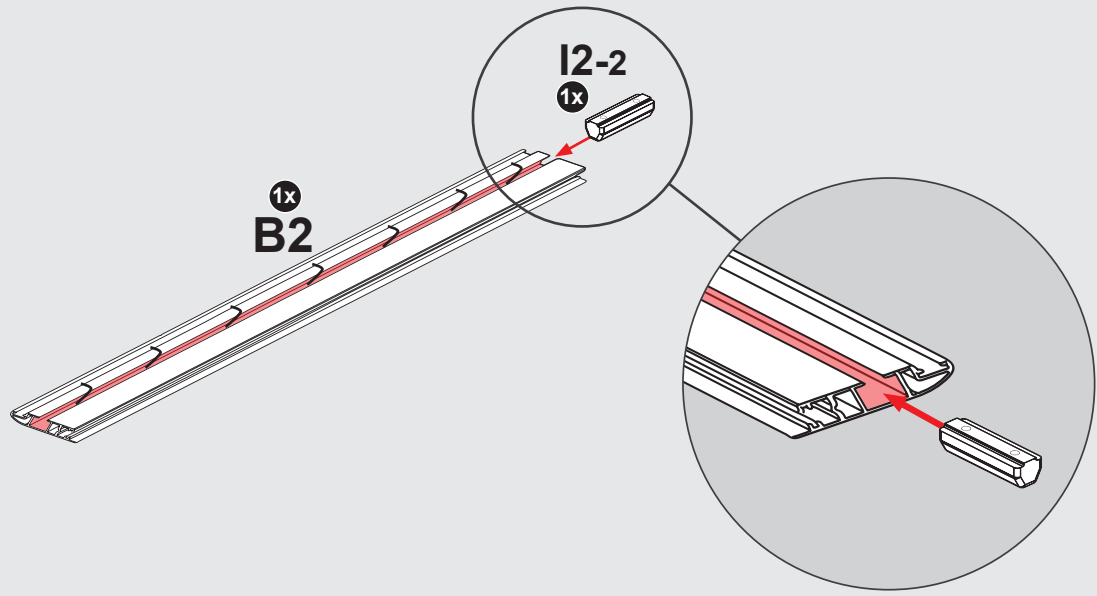
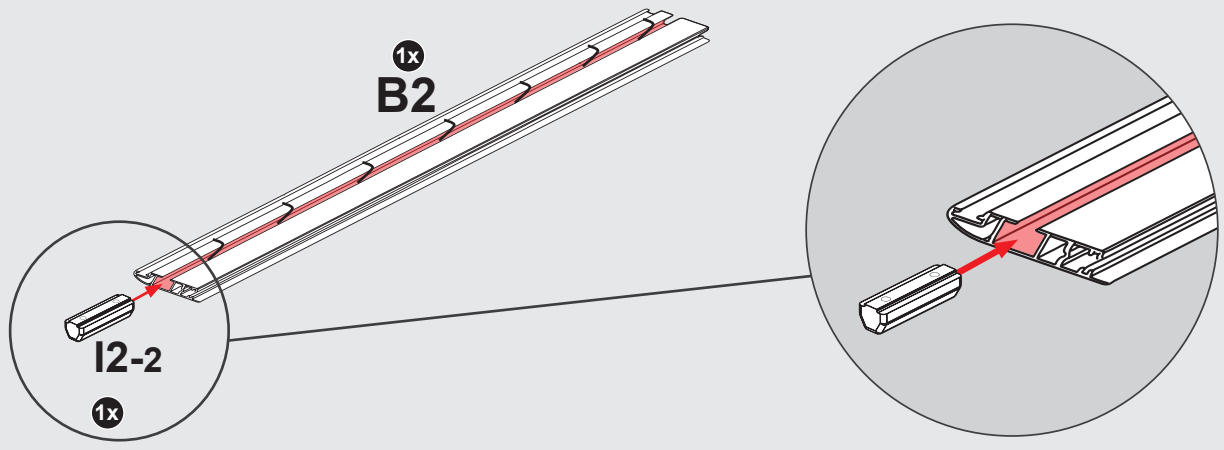
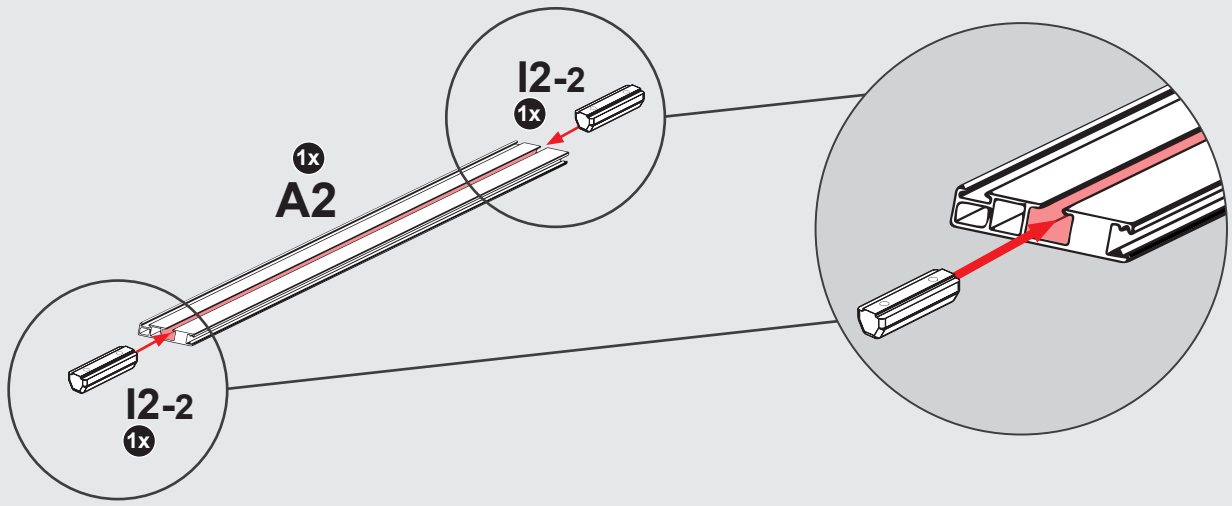
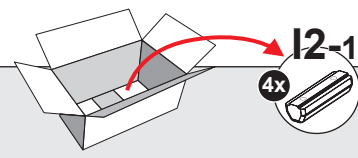
2x

B2

G2

7x

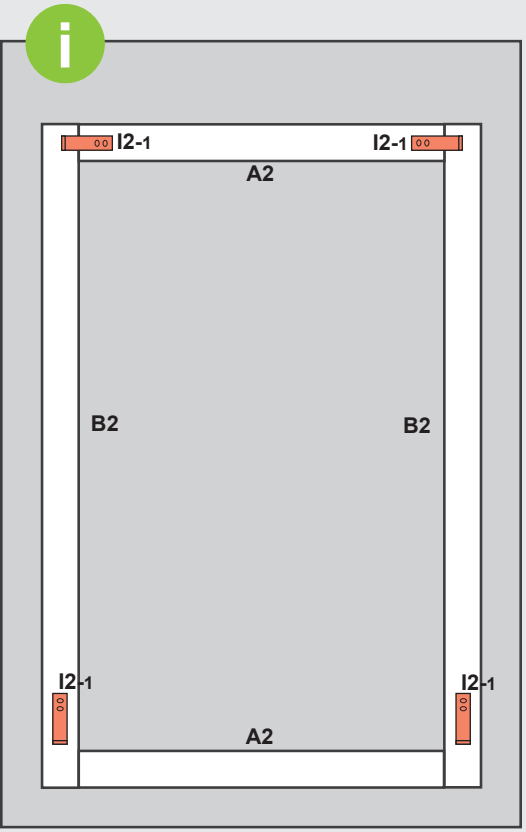
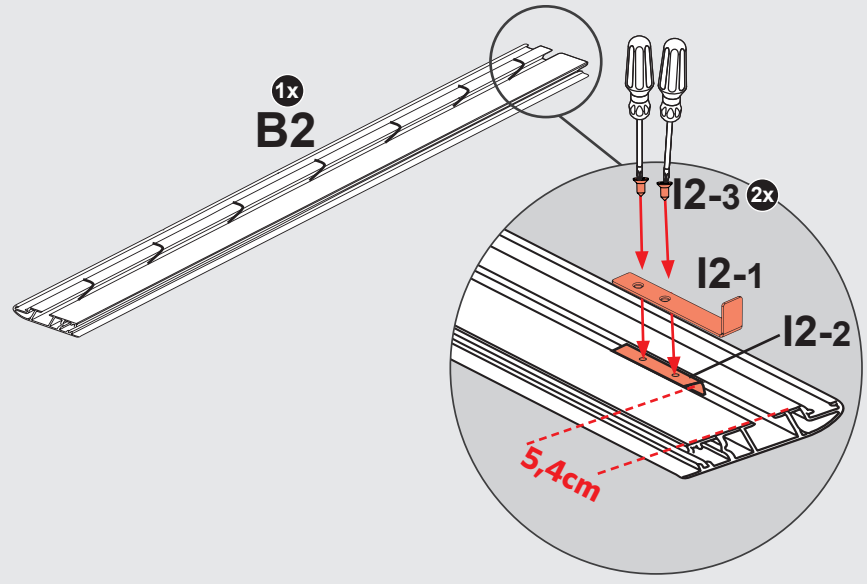
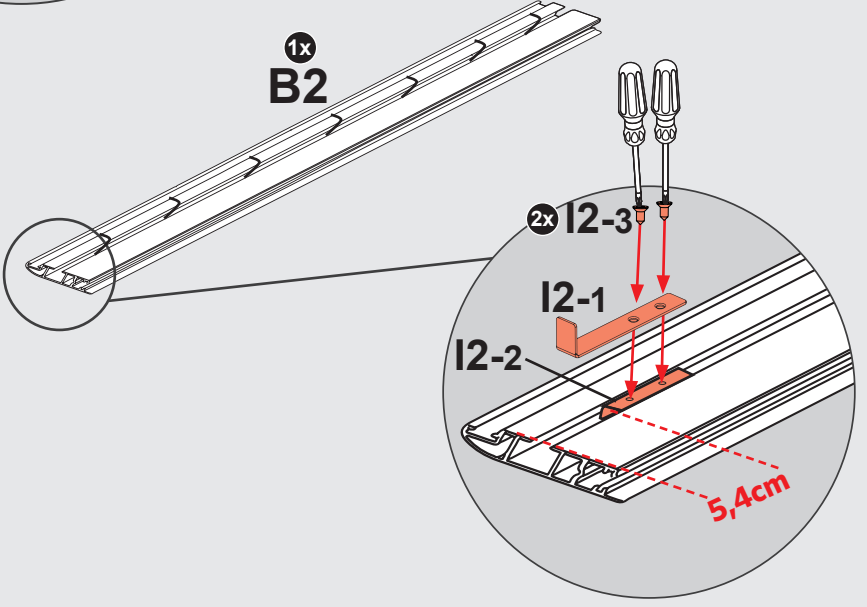
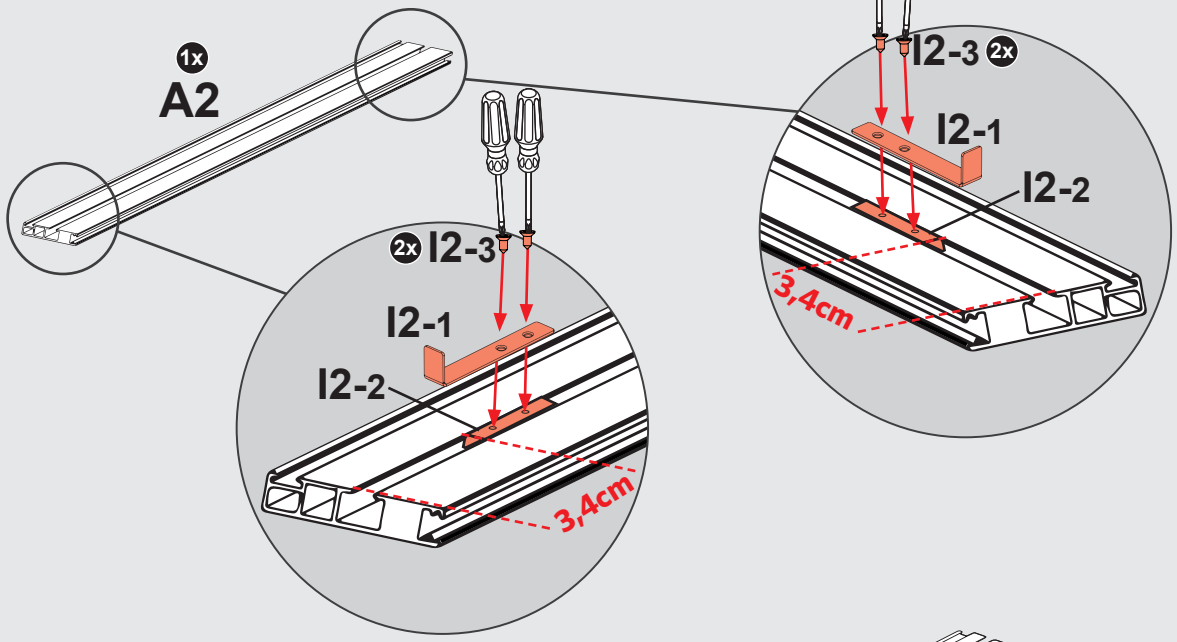
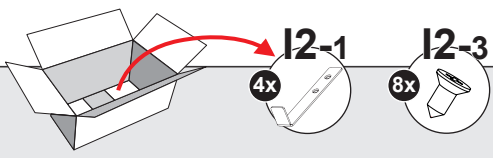


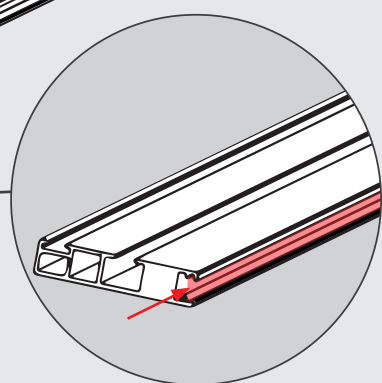
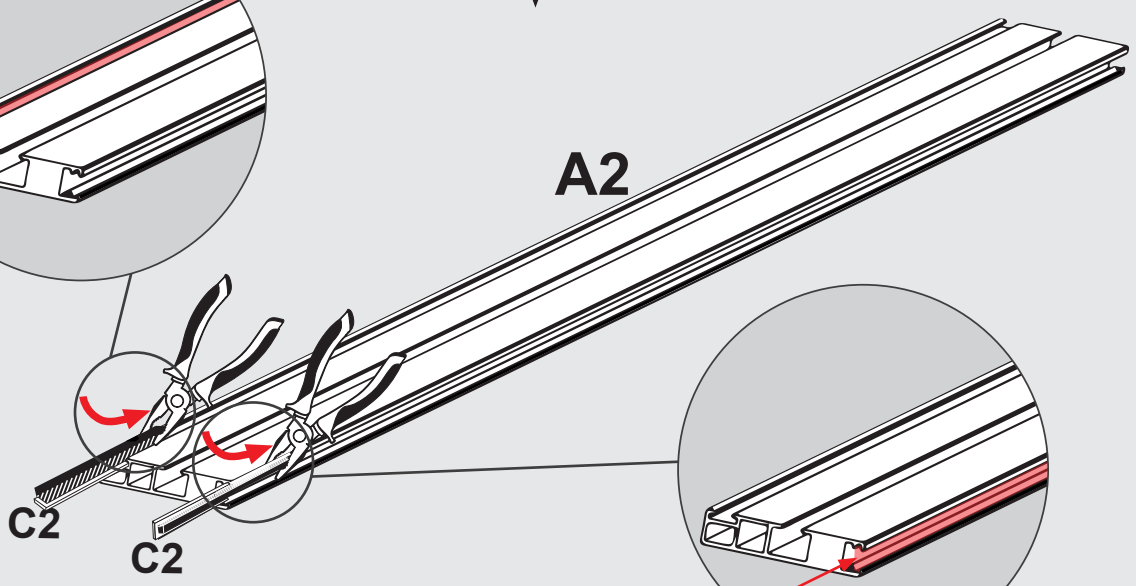
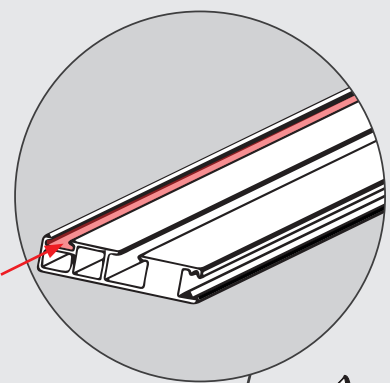
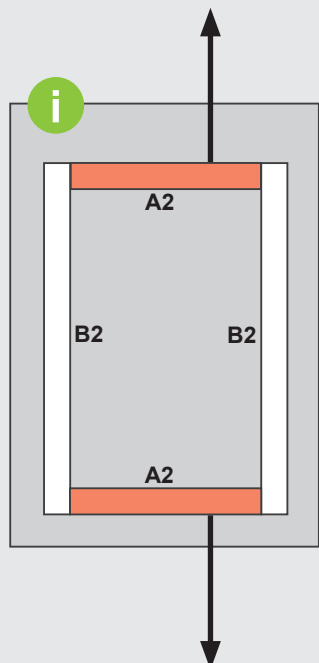
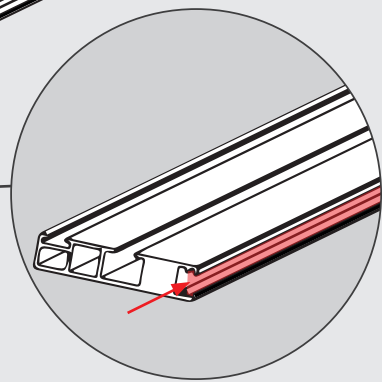
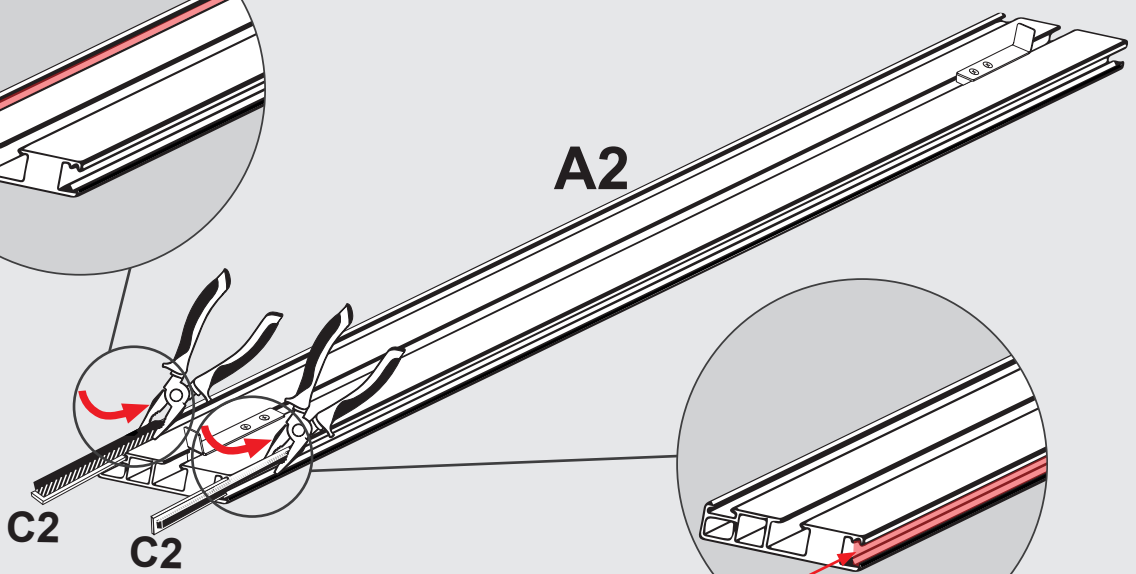
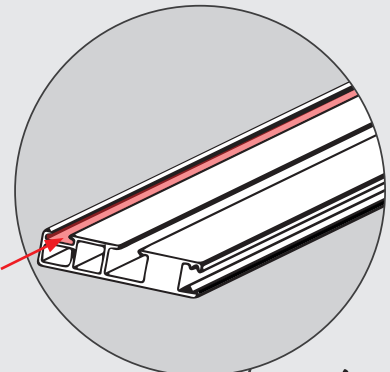


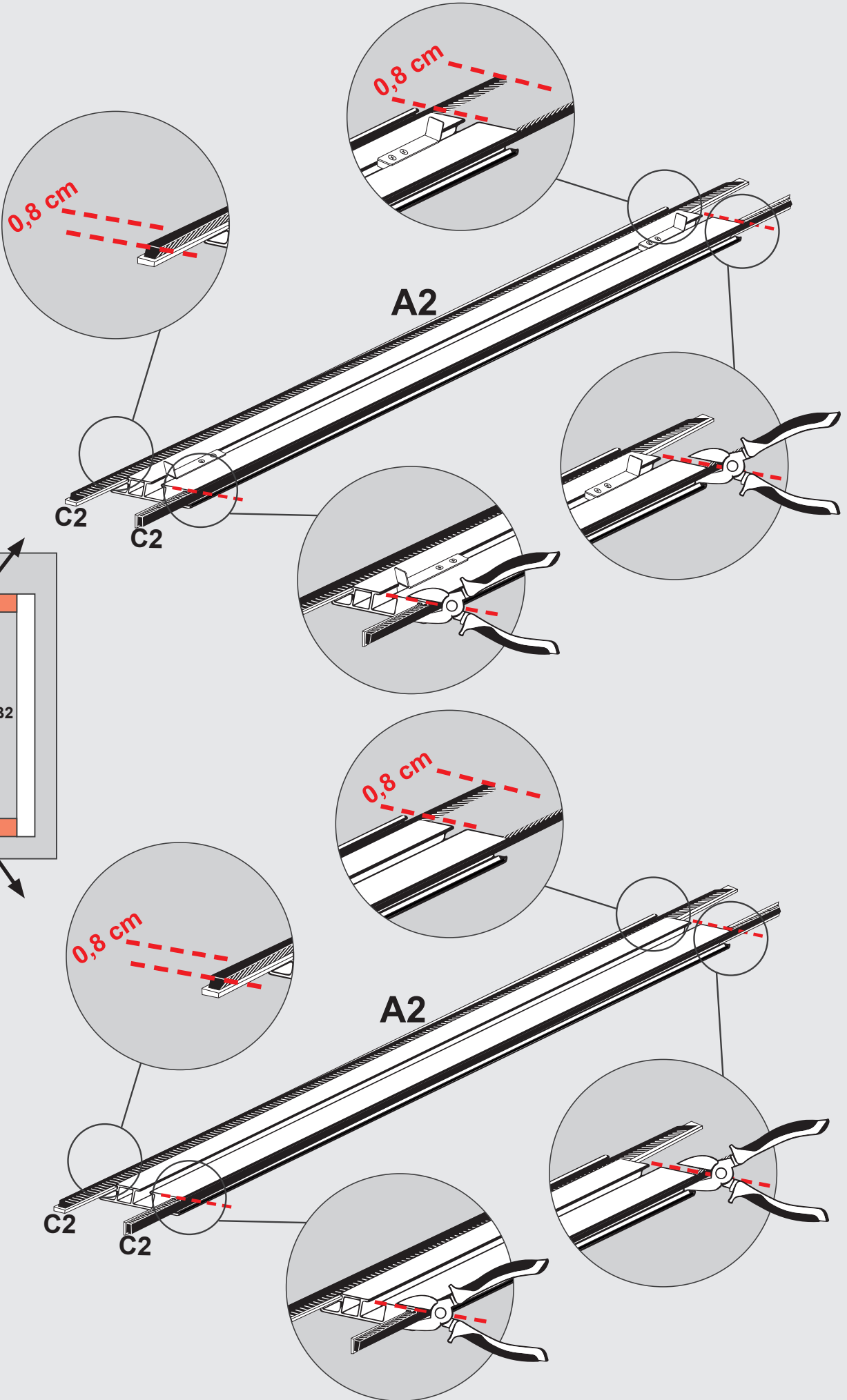
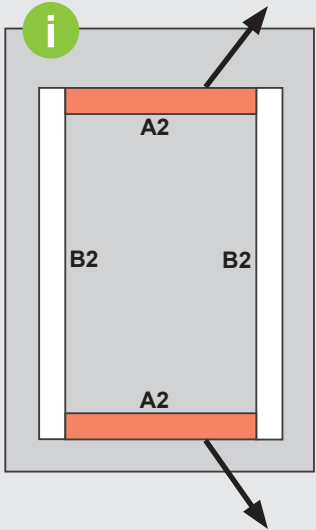
10

i

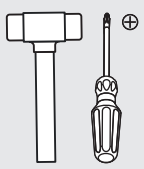
12



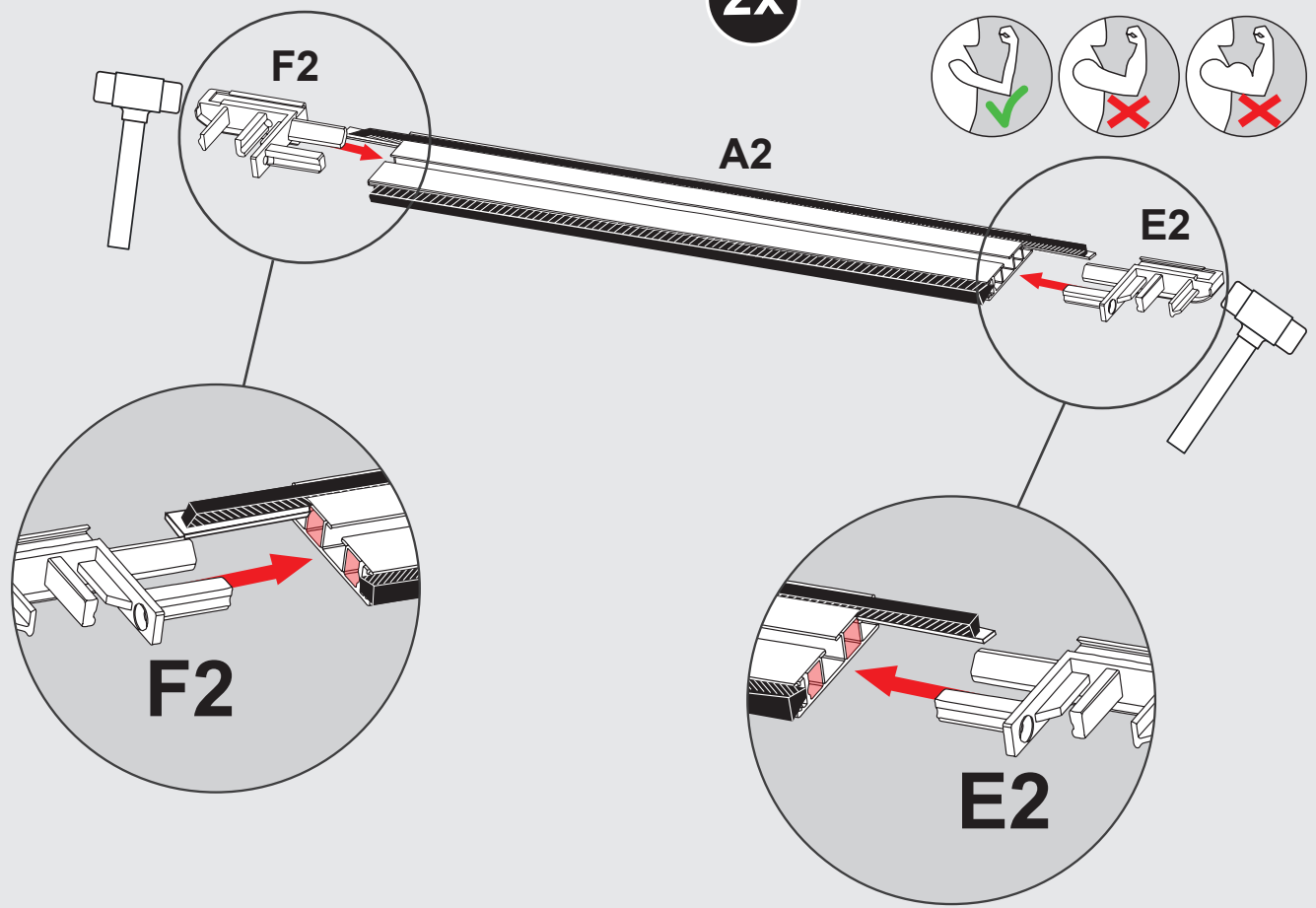




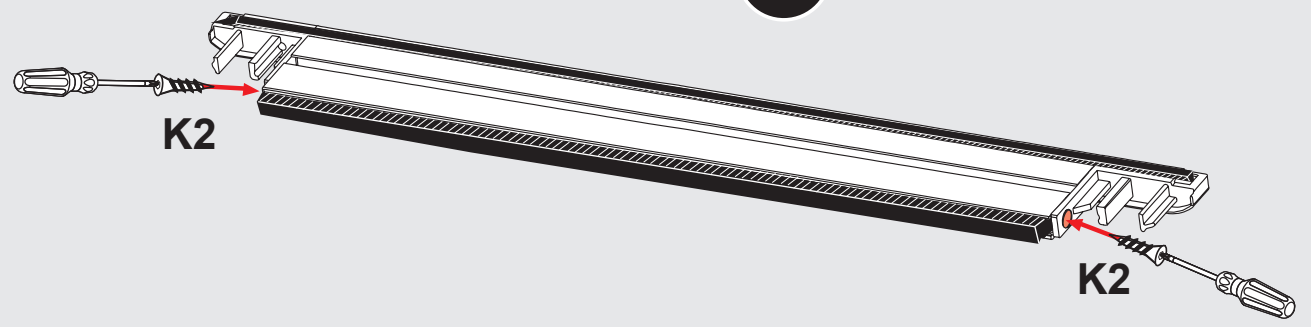
- A2 2x
- E2 2x
- F2 2x
- K2 4x



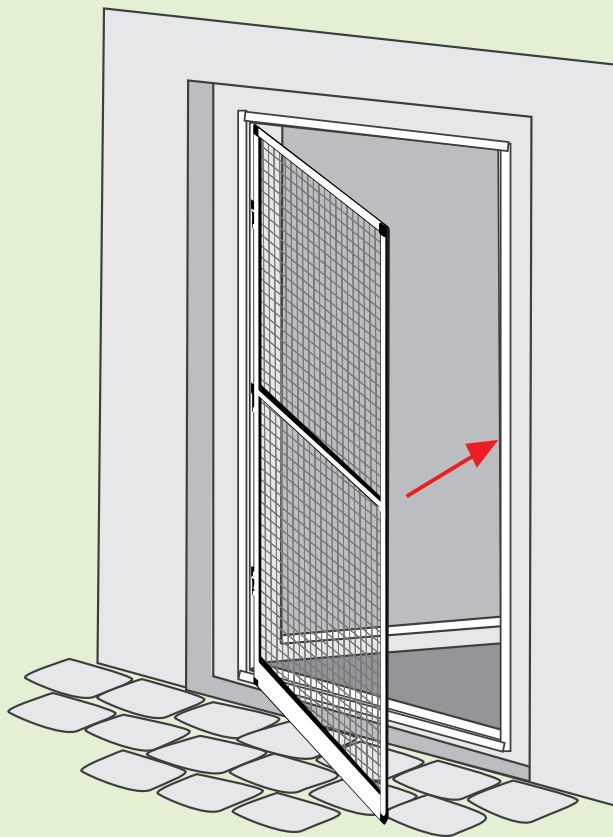
2x



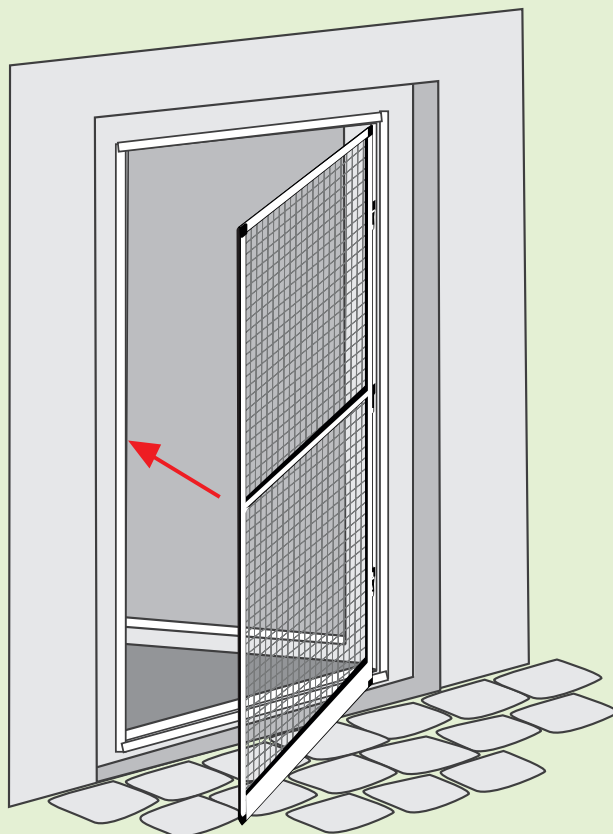
2x

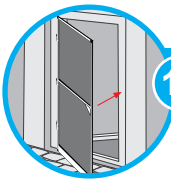


14 → 26



27 → 39

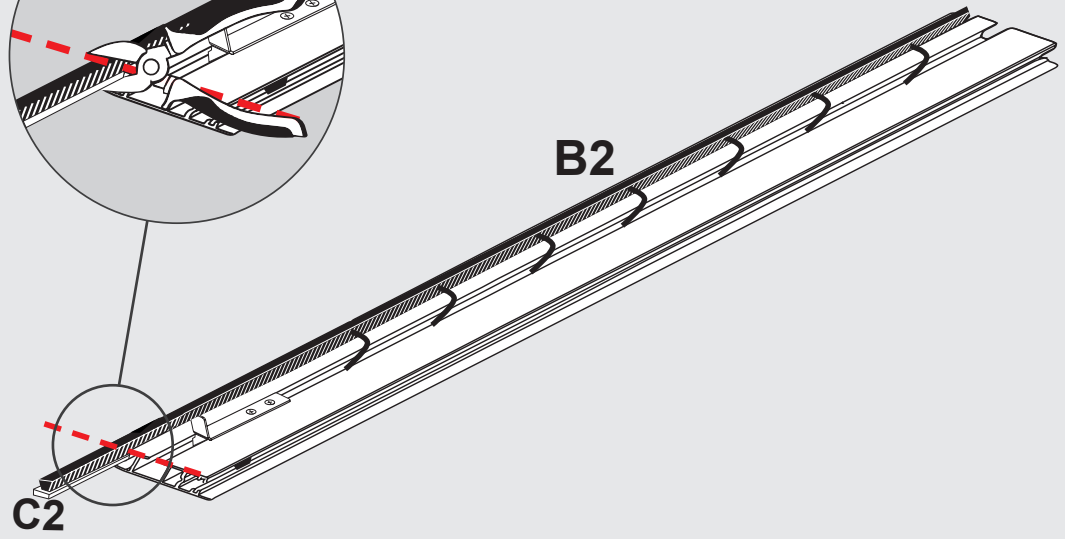
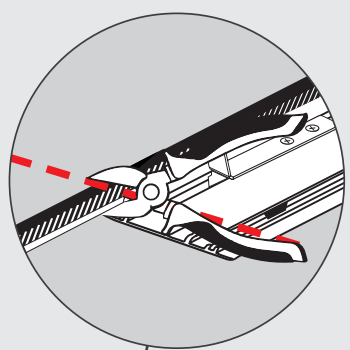
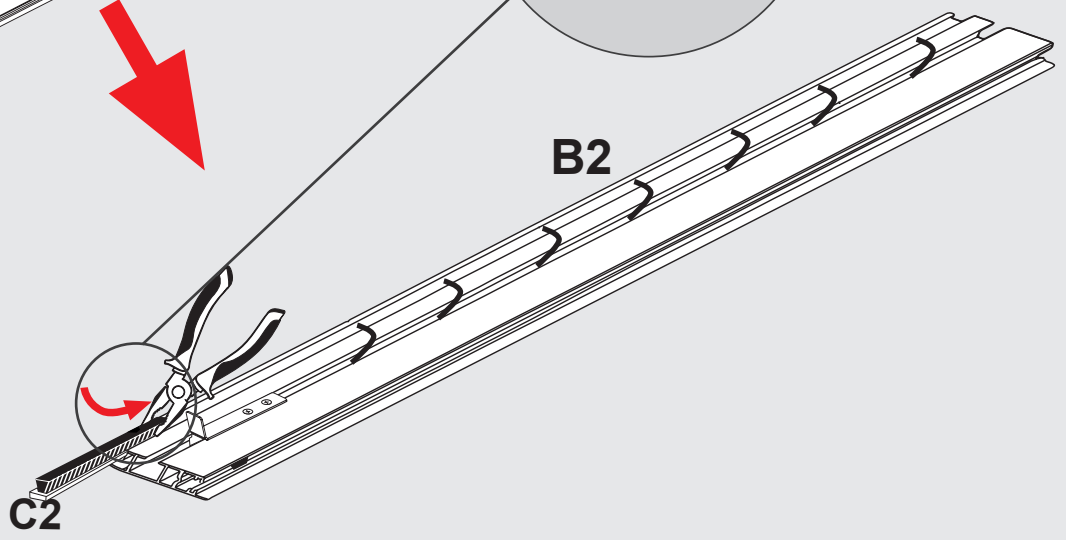
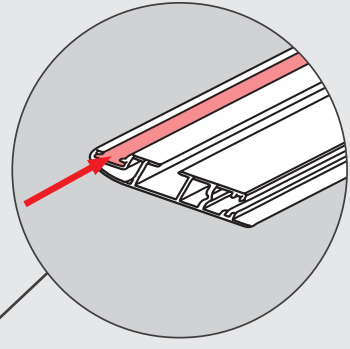
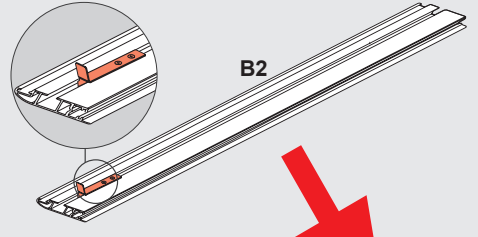
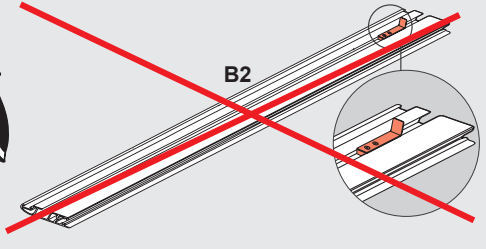
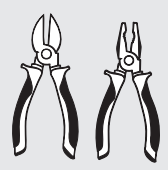


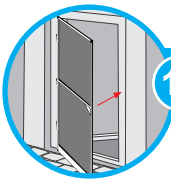


14 → 26

14

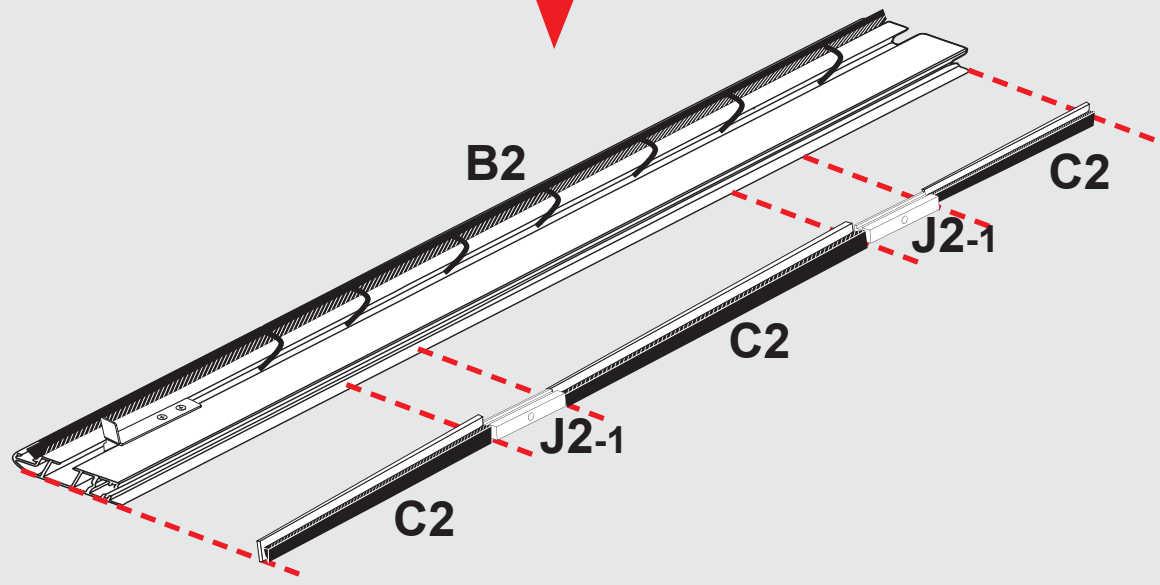
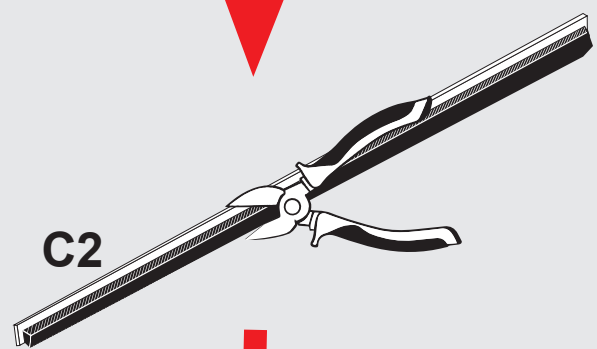
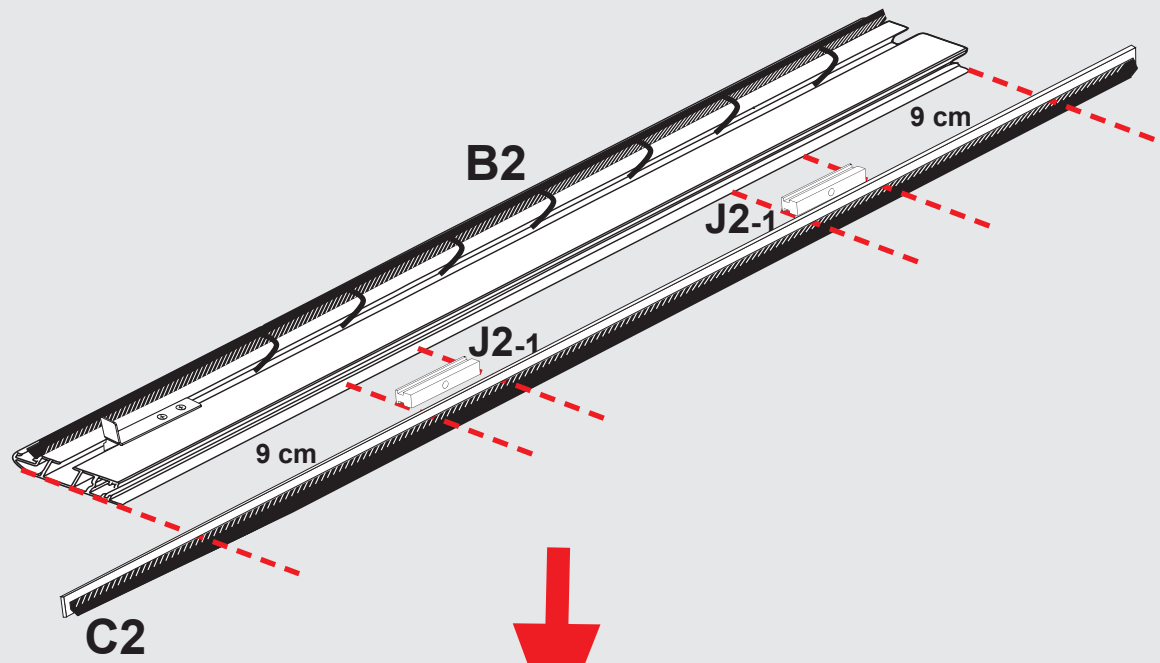
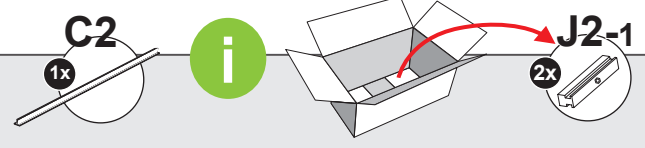
C2
1x

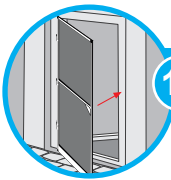




14 → 26

15

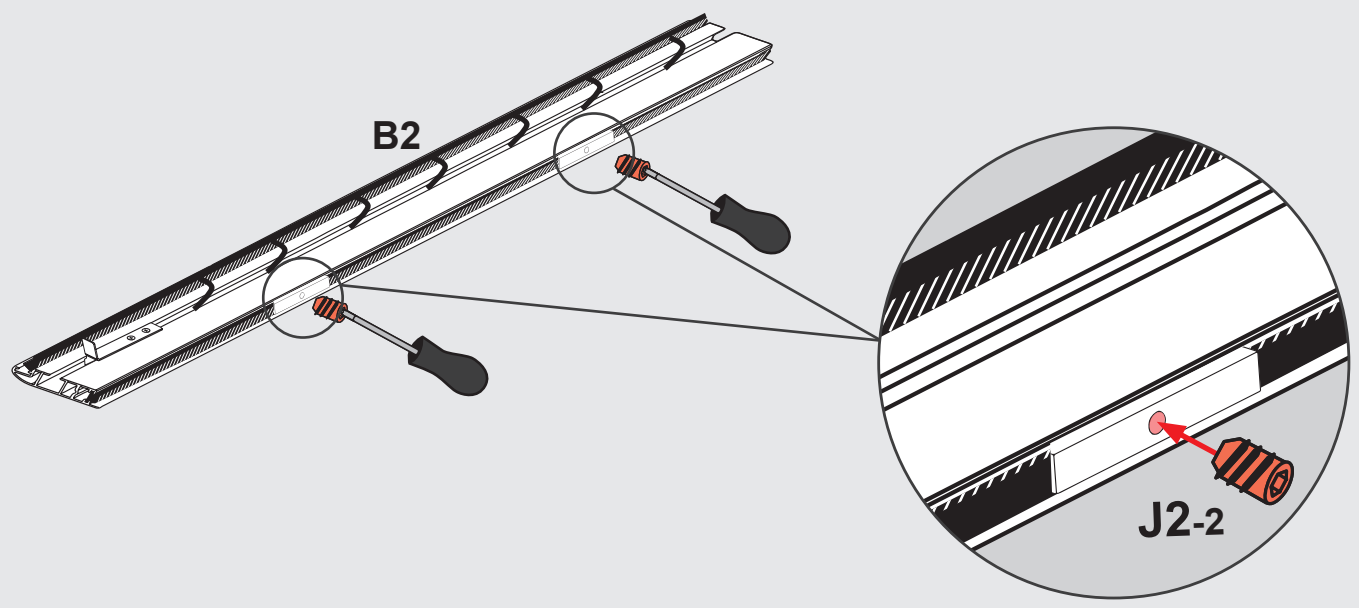
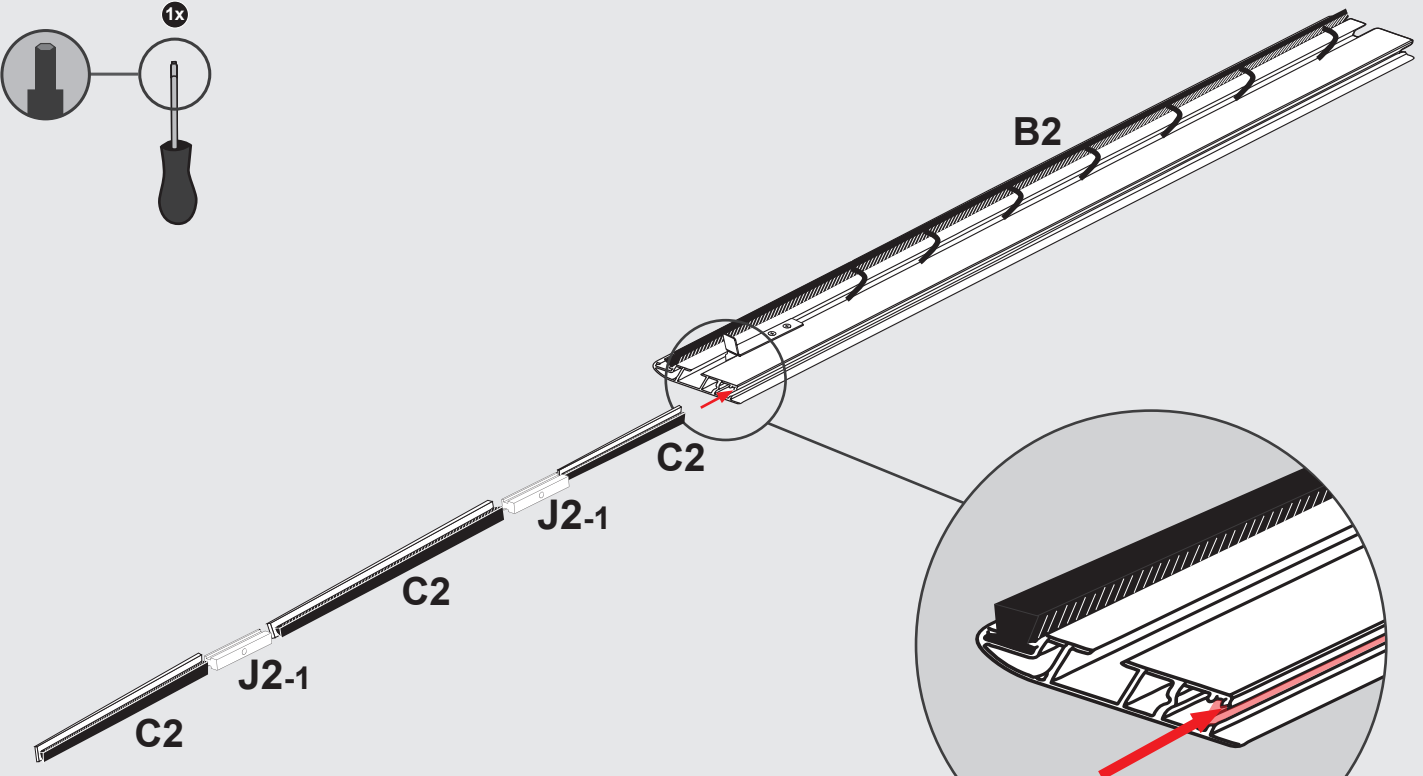
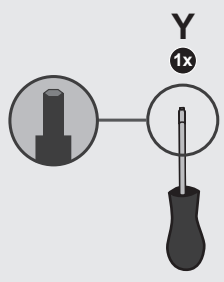
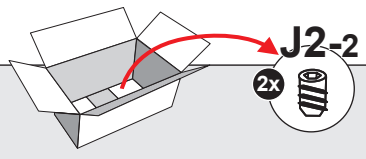


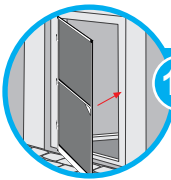


14 → 26

16

i



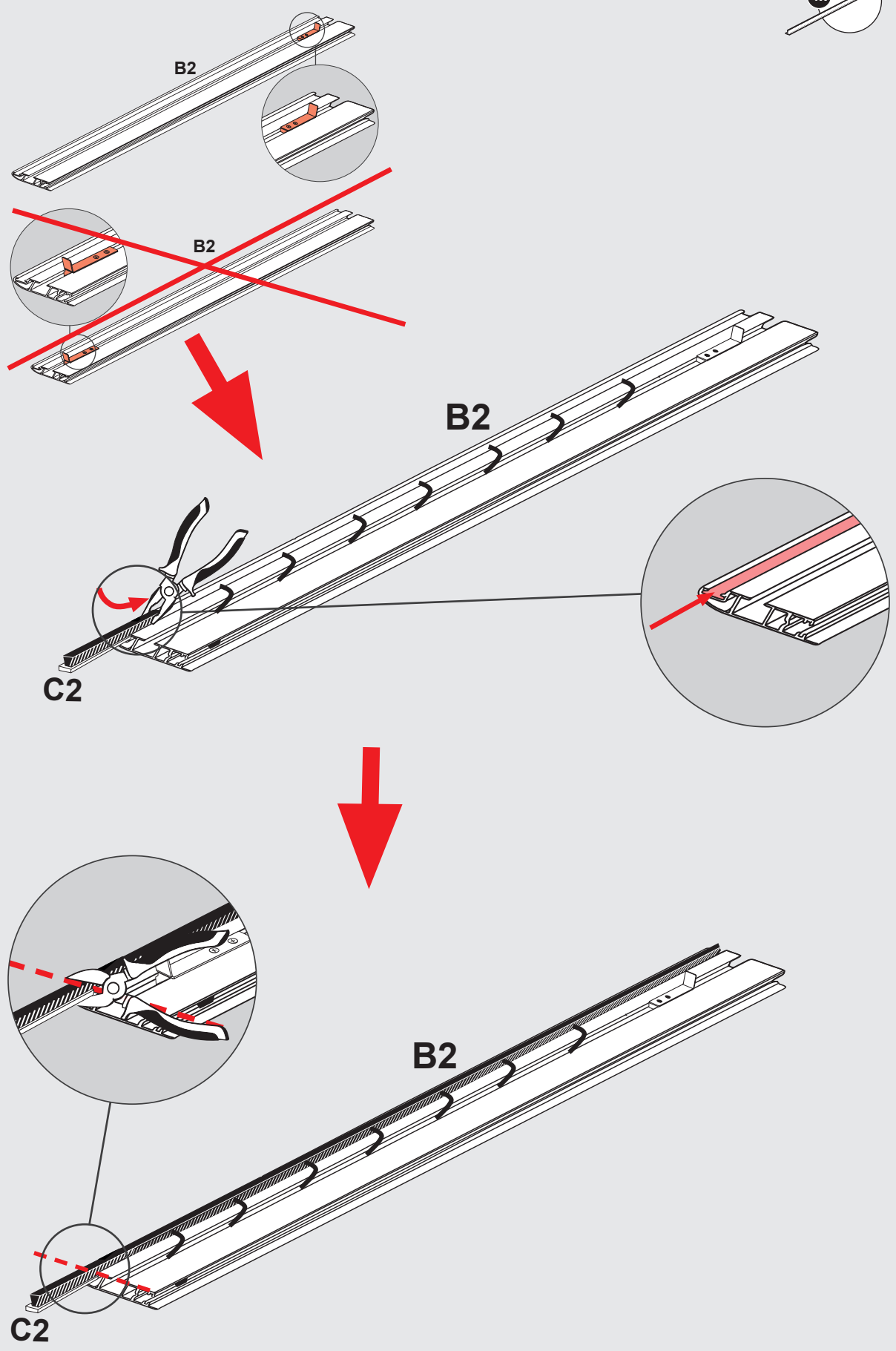
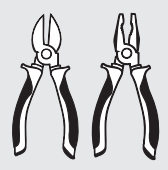


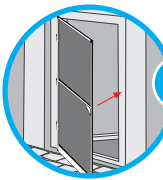
14 → 26

17

C2

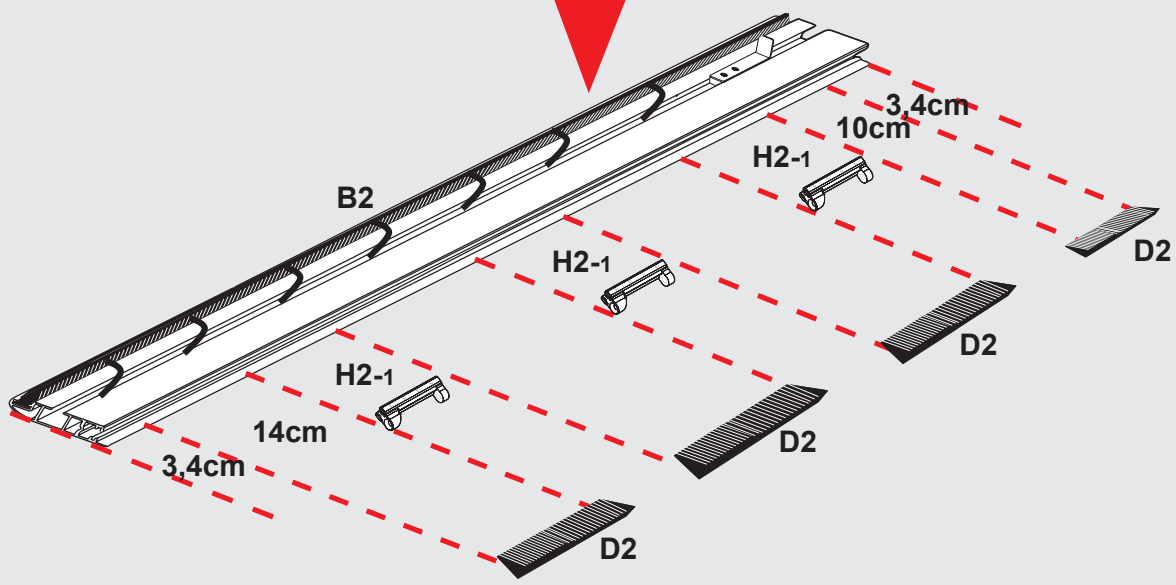
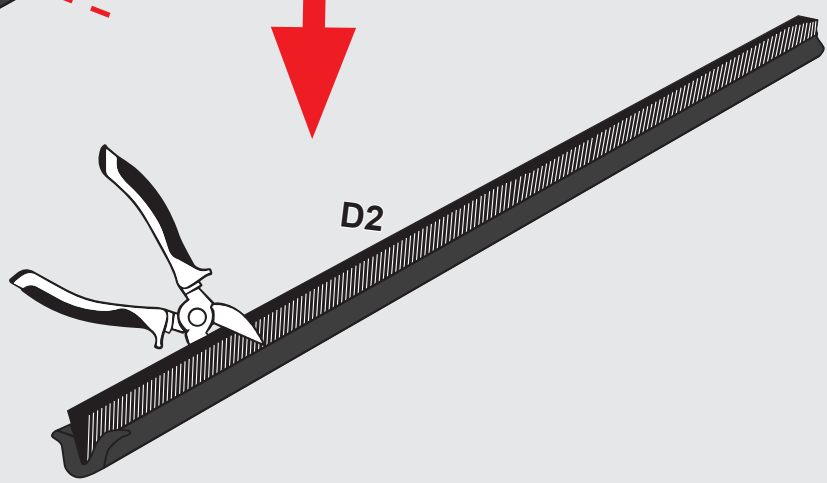
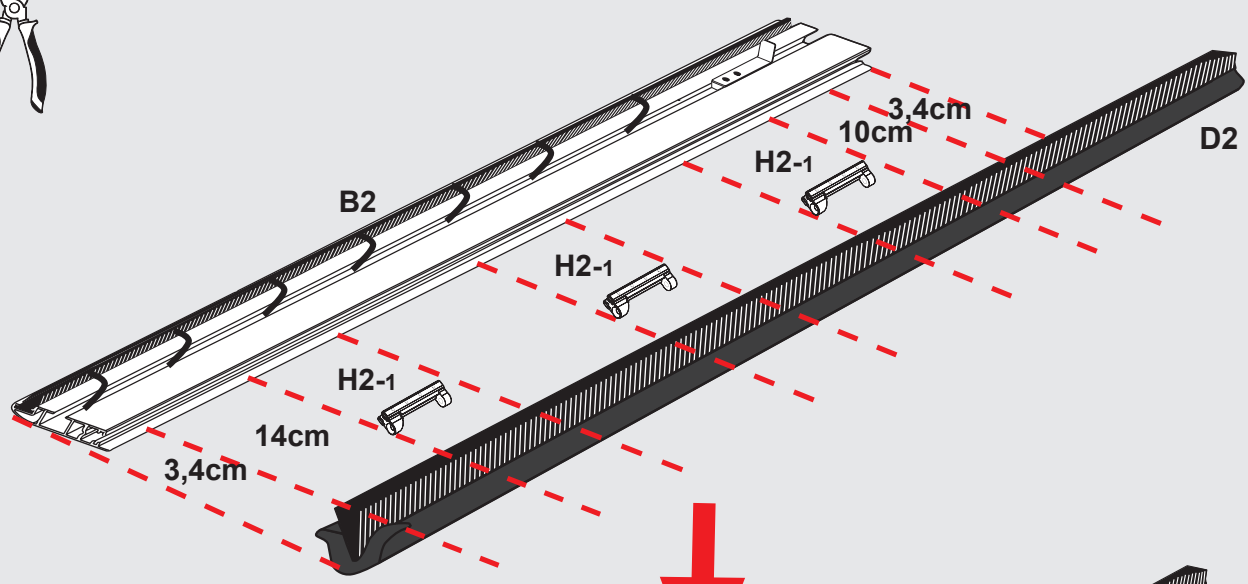
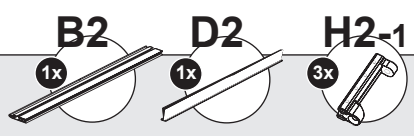
1x

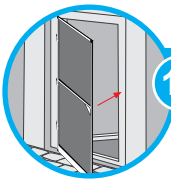




14 → 26

18

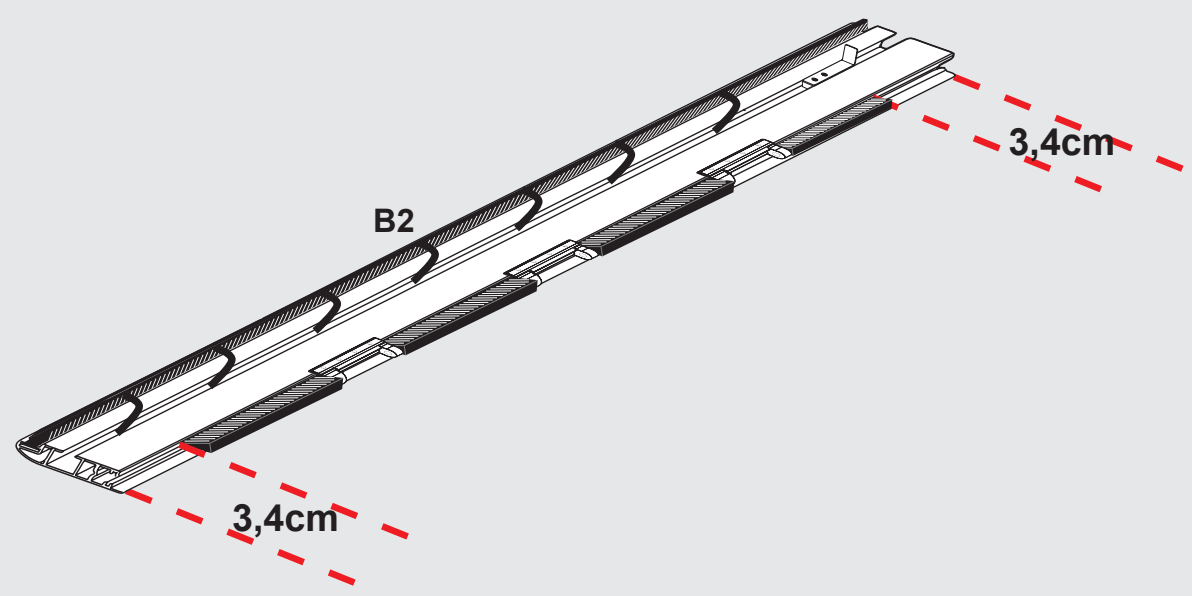
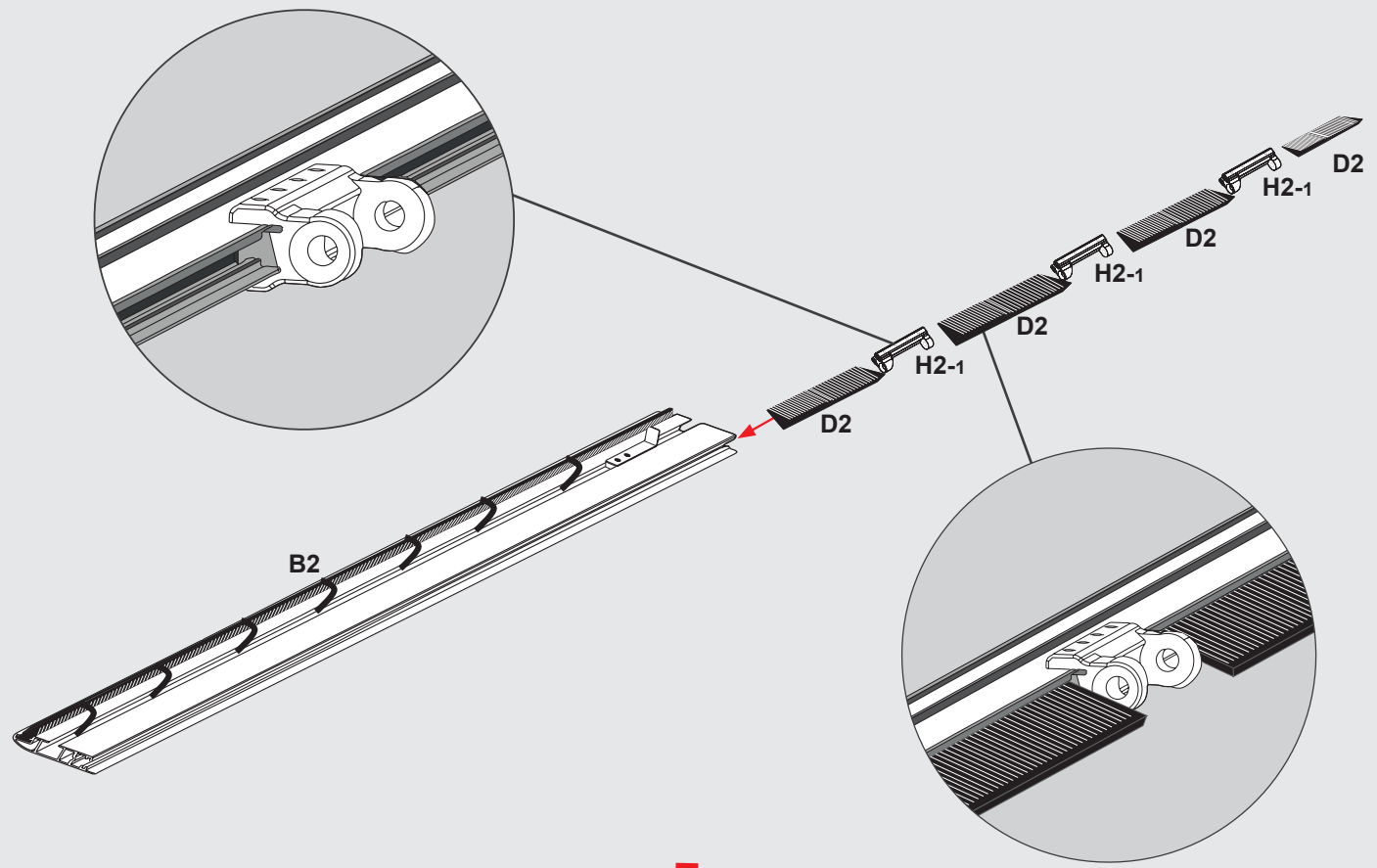


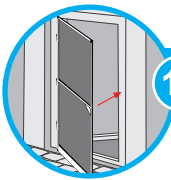


14 → 26

19

- B2 (1x)
- D2 (1x)
- H2-1 (3x)

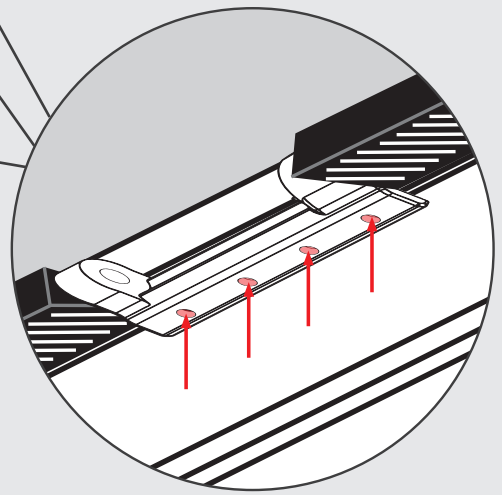
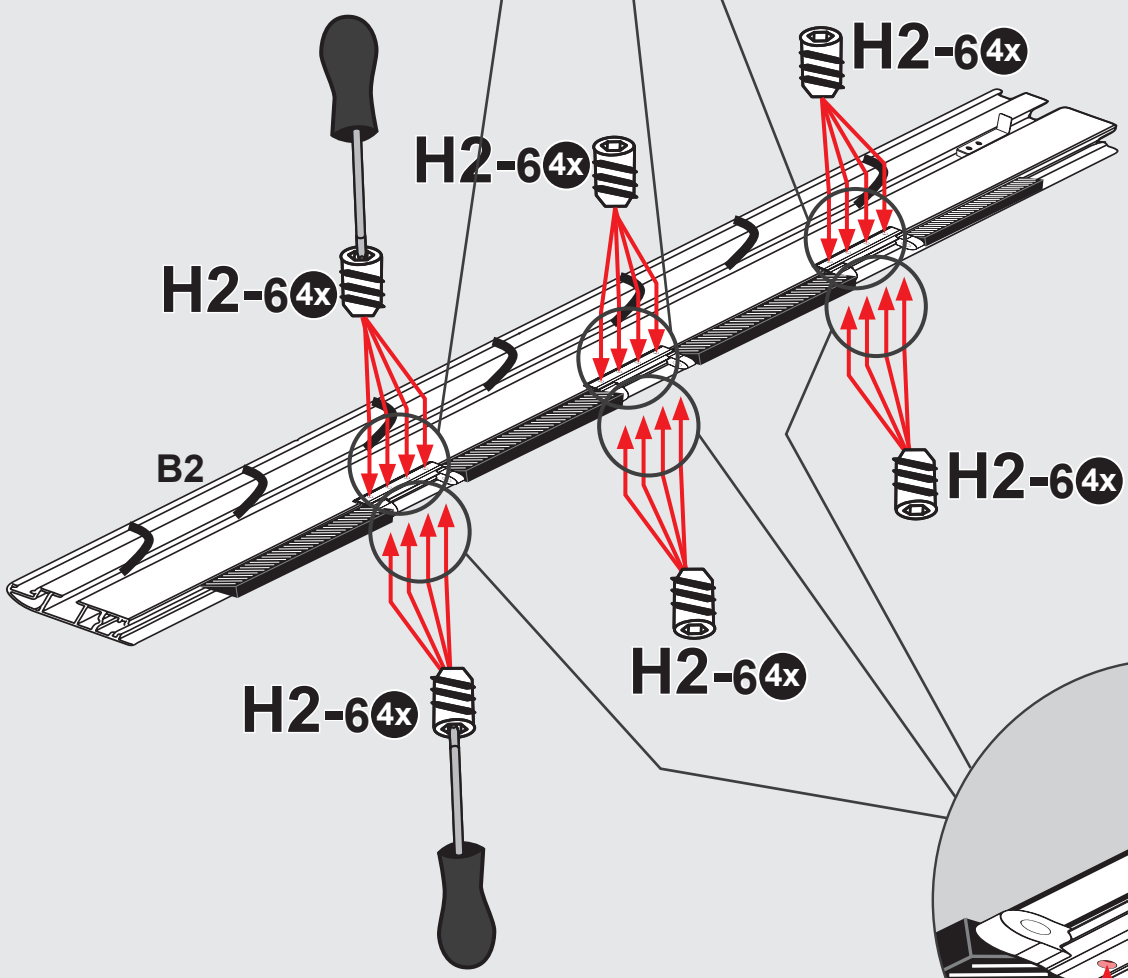
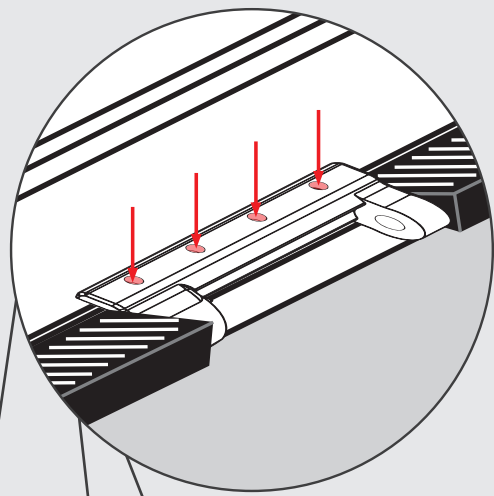
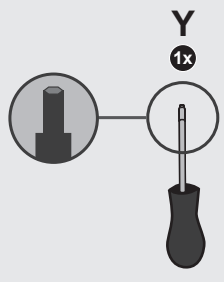
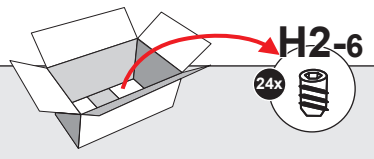


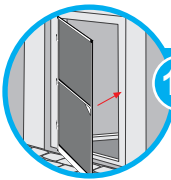


14 → 26

20

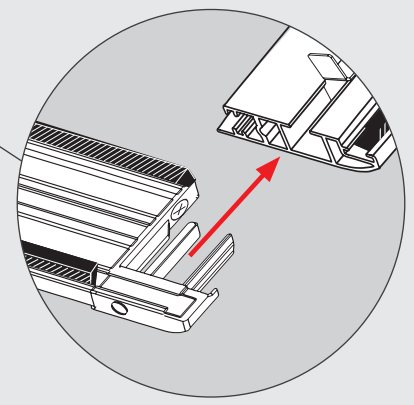
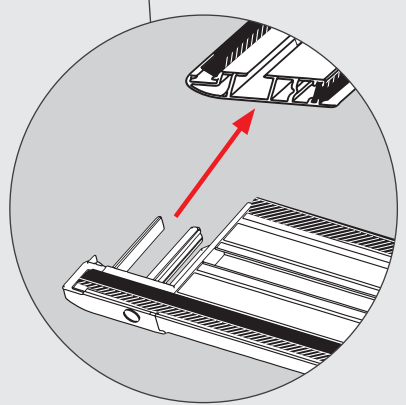
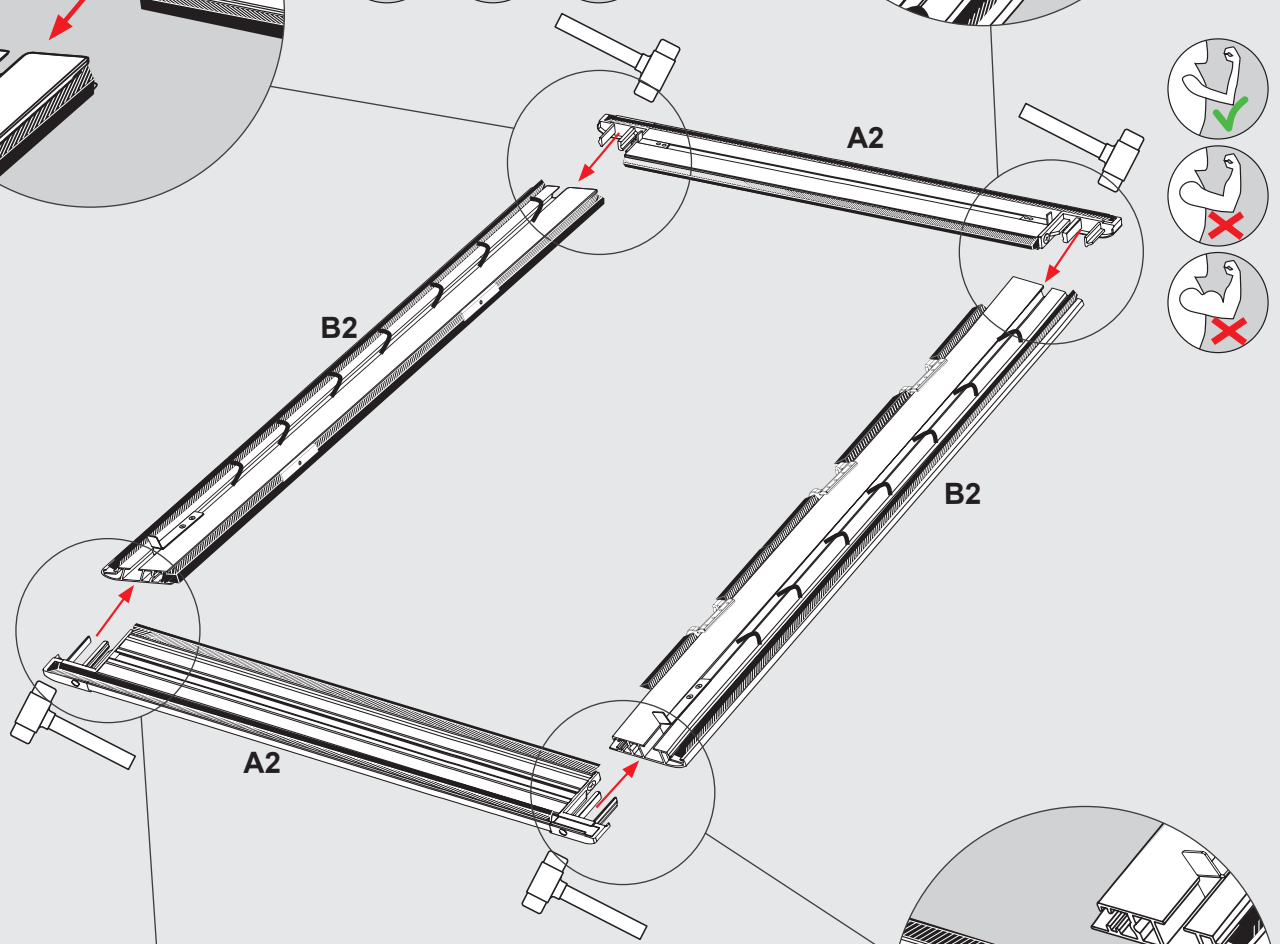
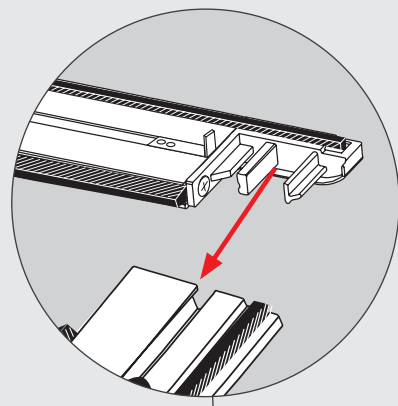
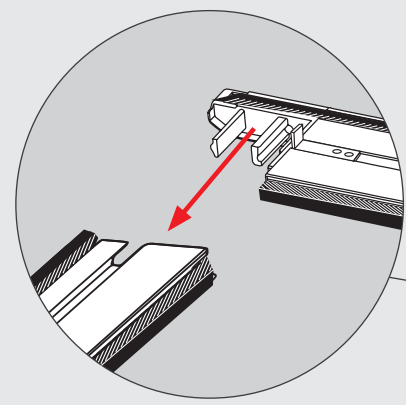
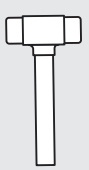
i

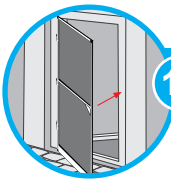




14 → 26

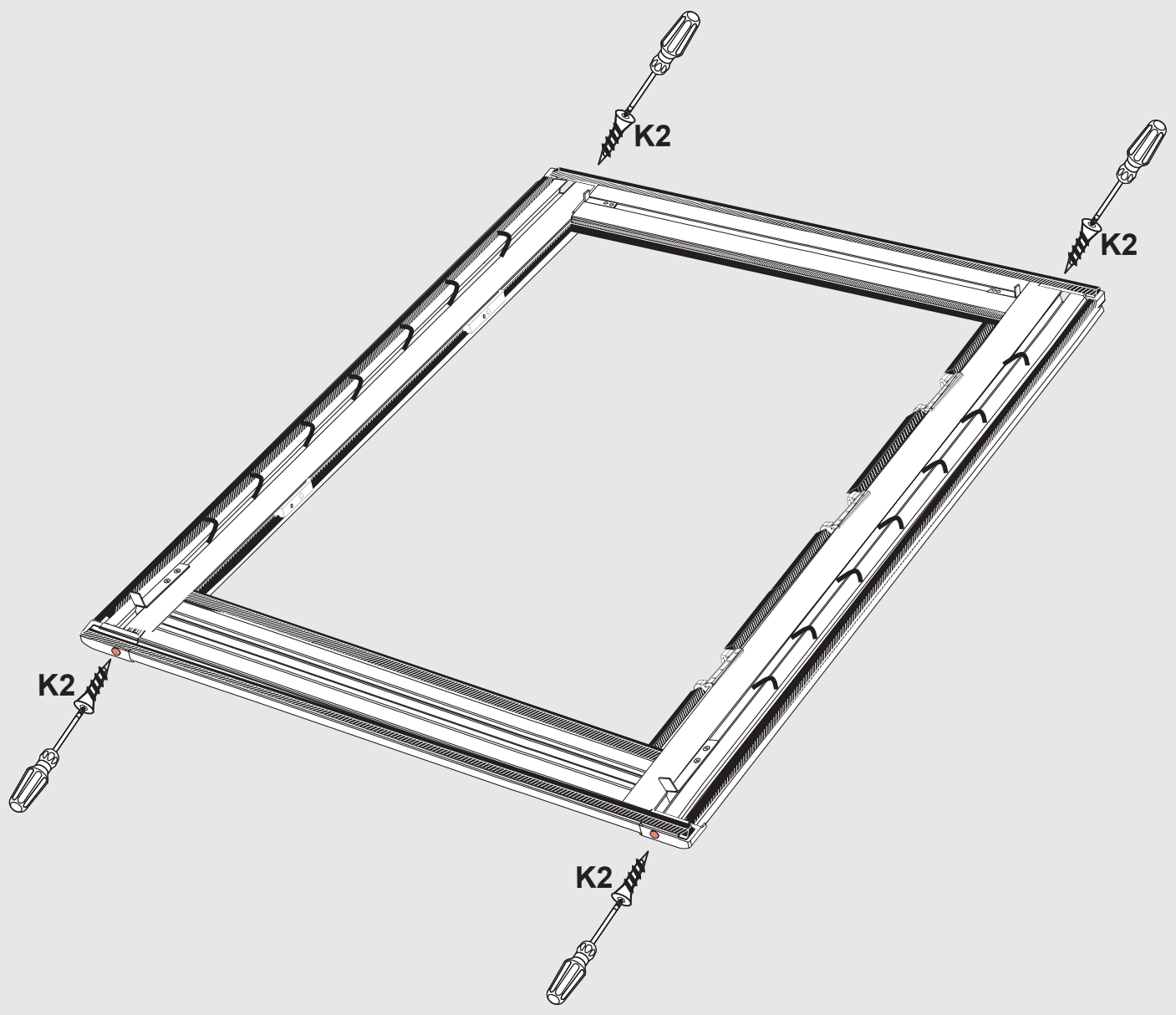
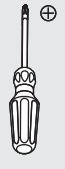
21

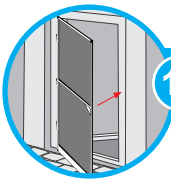




14 → 26

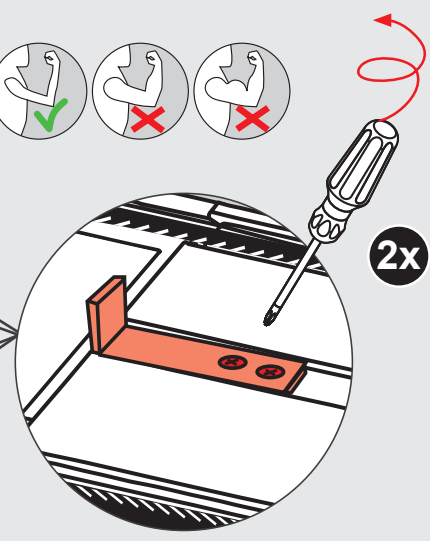
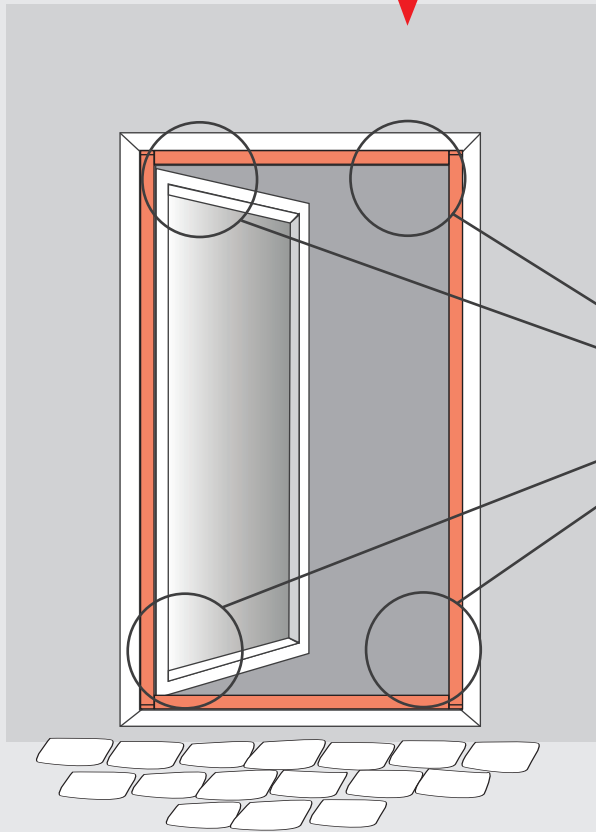
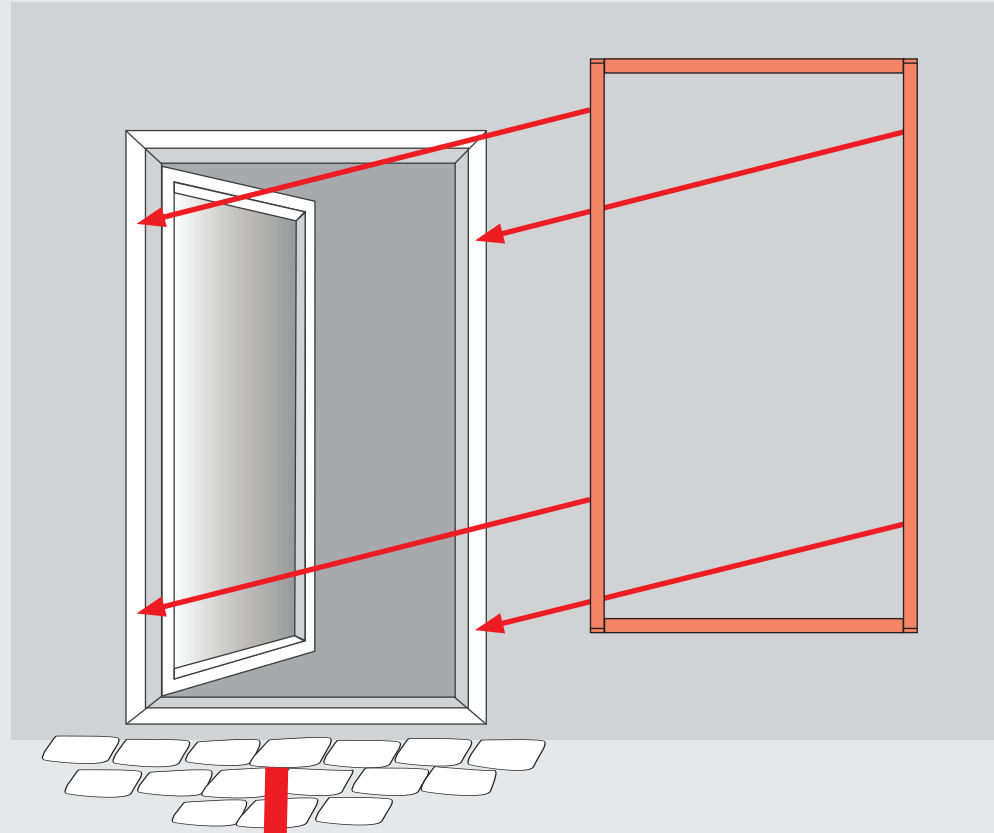
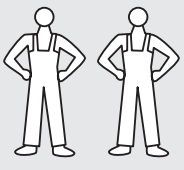
22



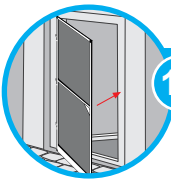


14 → 26

23

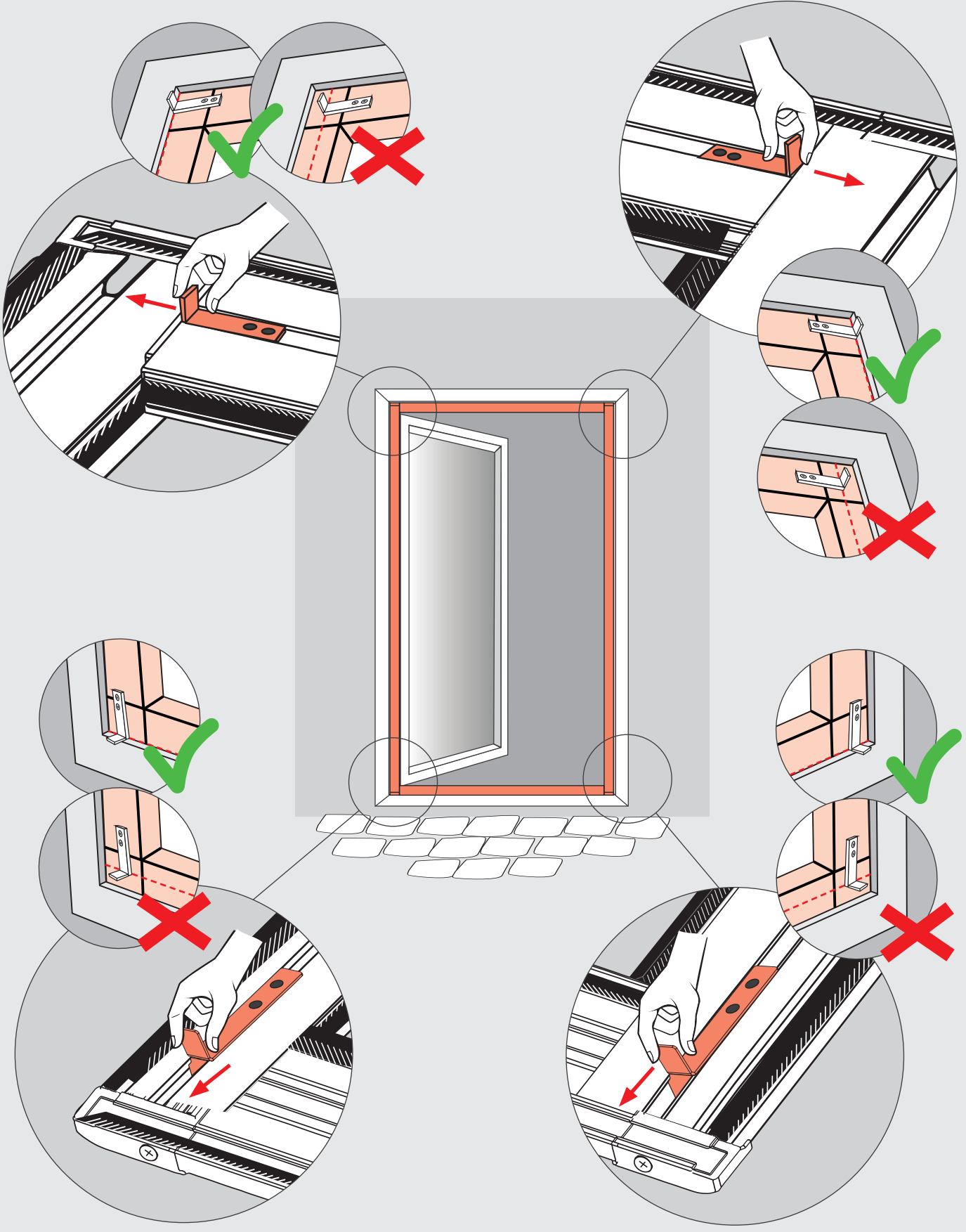


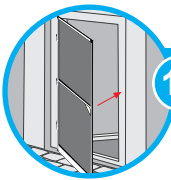
2x



14 → 26

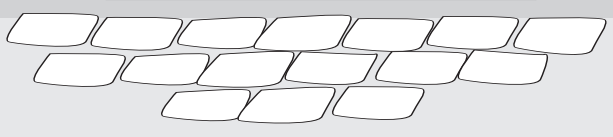
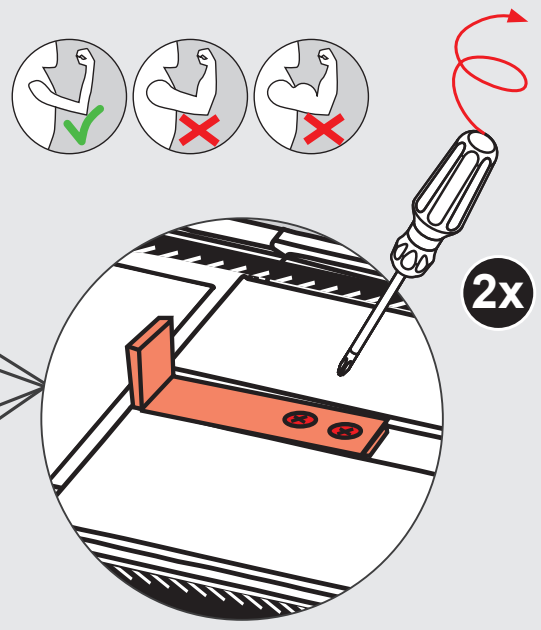
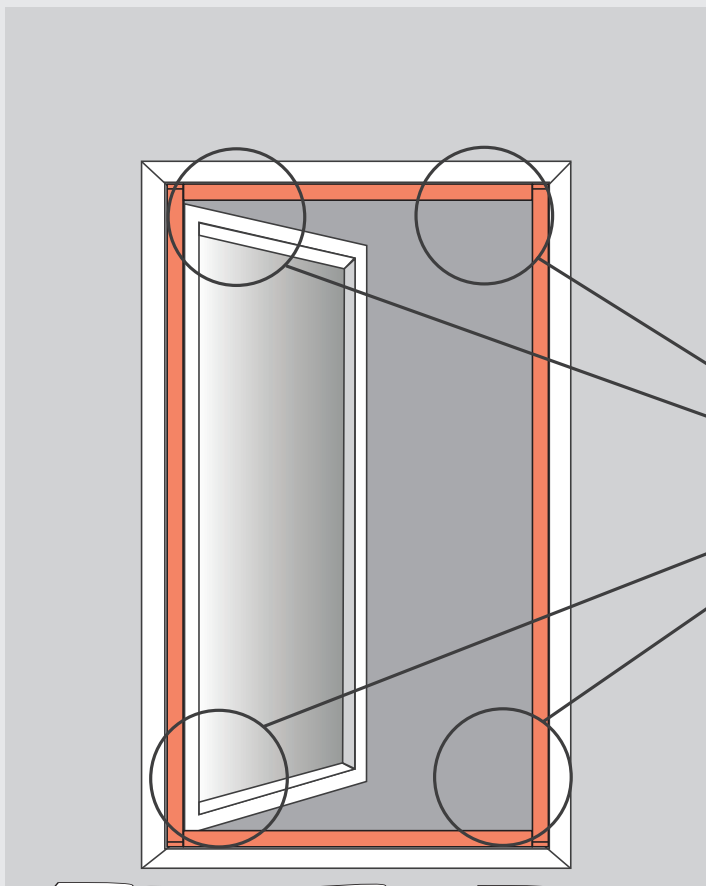
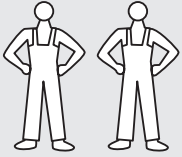
24

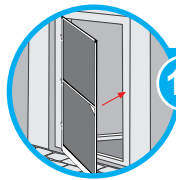




14 → 26

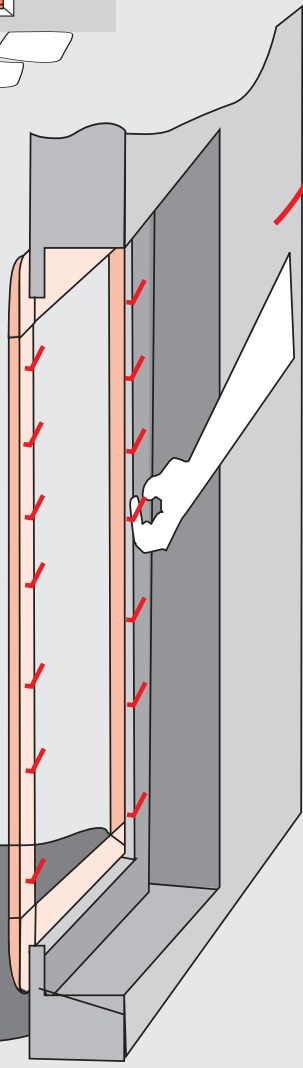
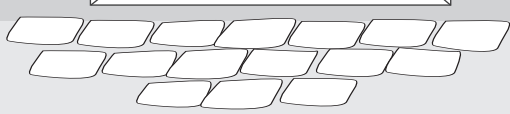
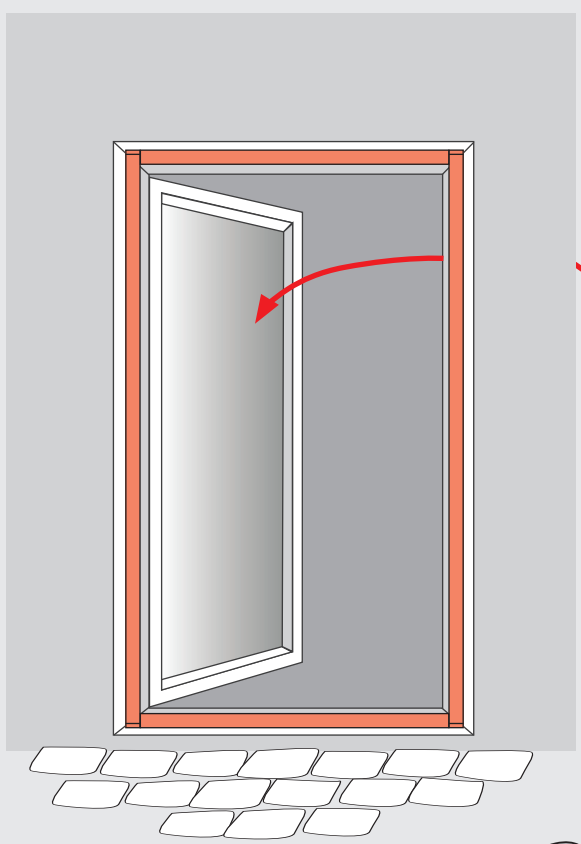
25



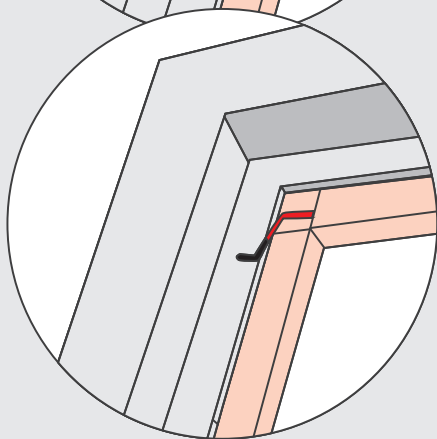
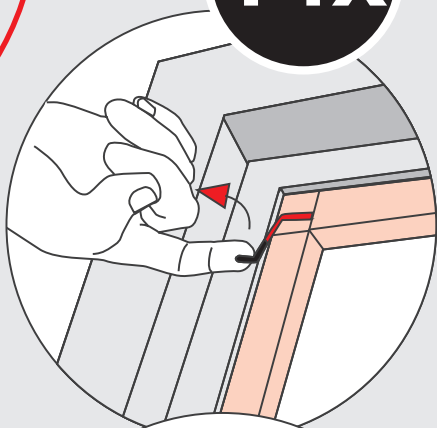


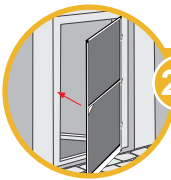
14 → 26

26



14x

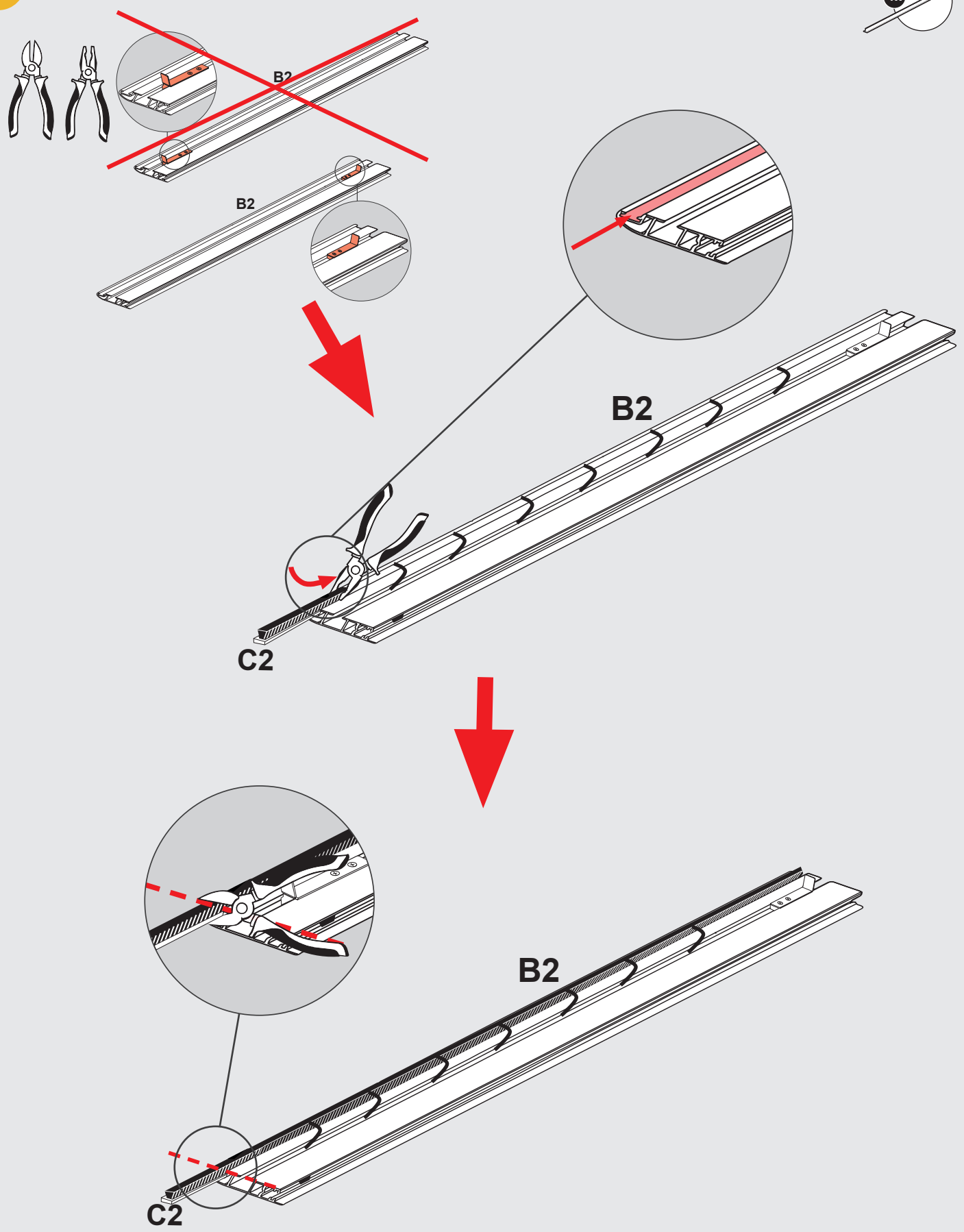


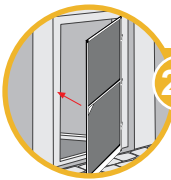


27 → 39

27

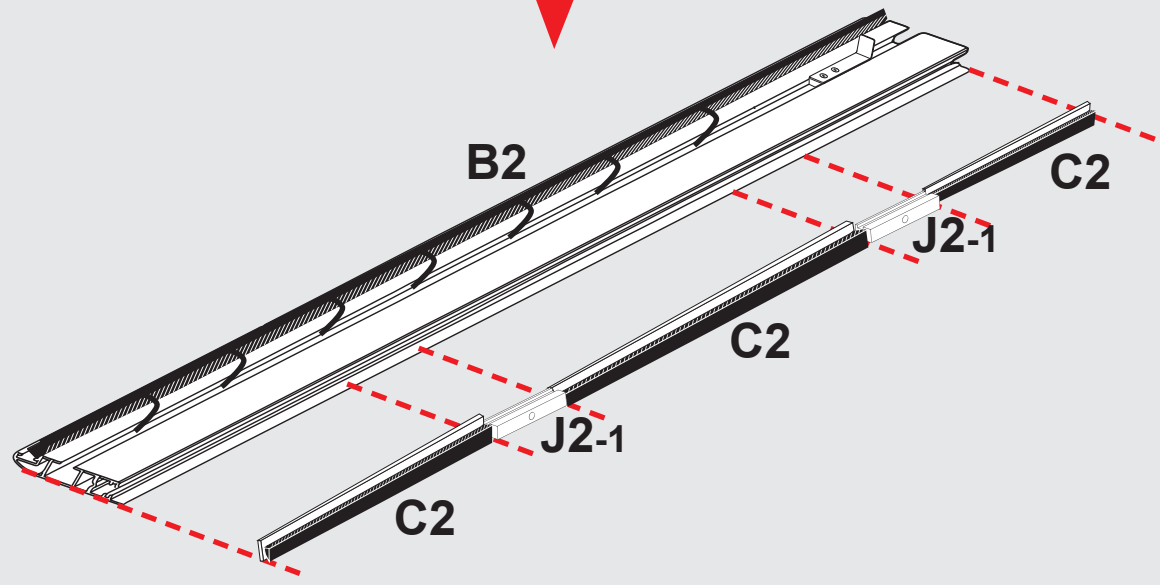
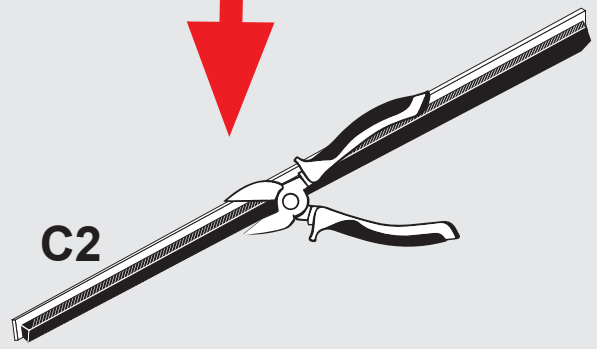
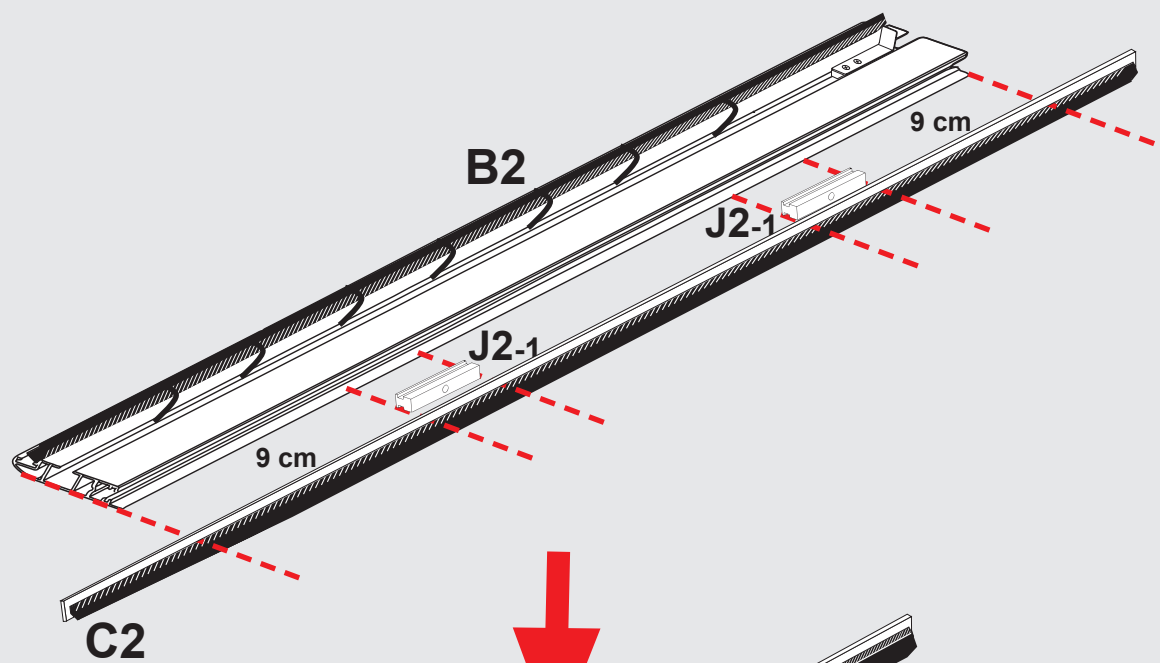
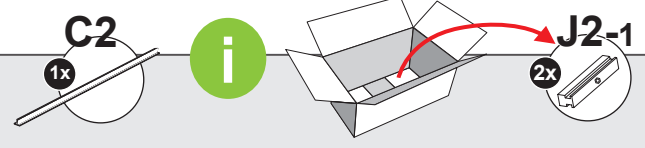
C2
1x

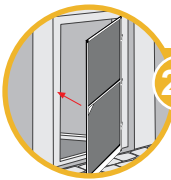




27 → 39

28

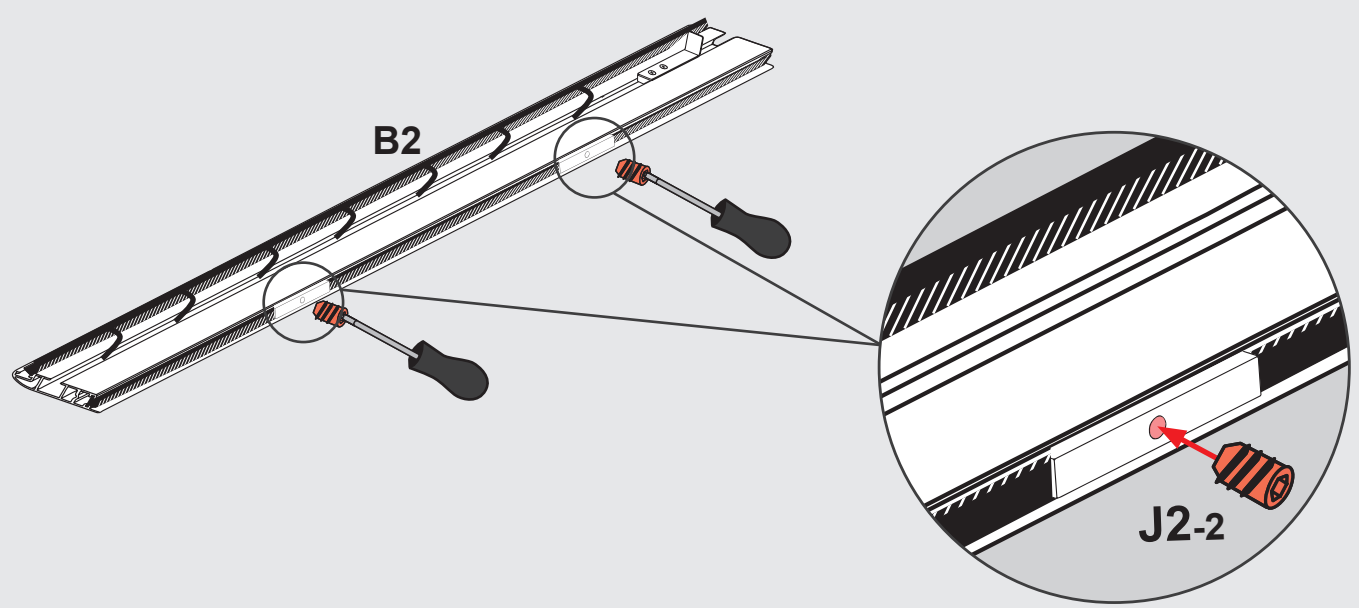
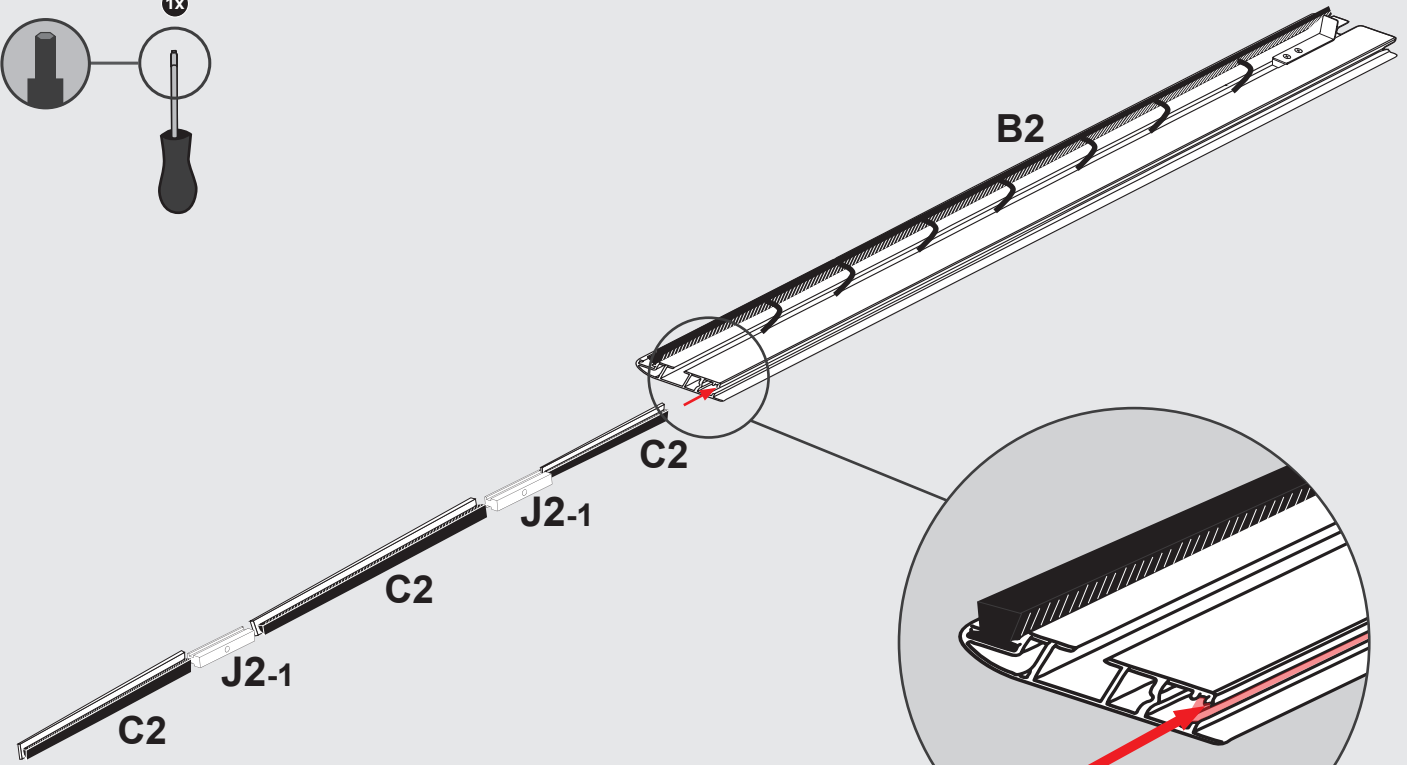
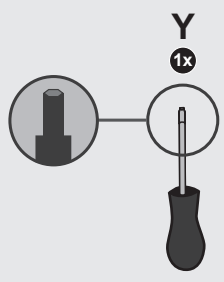
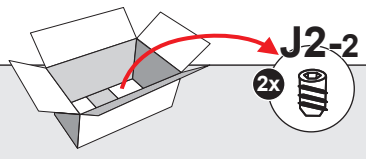




27 → 39

29

i



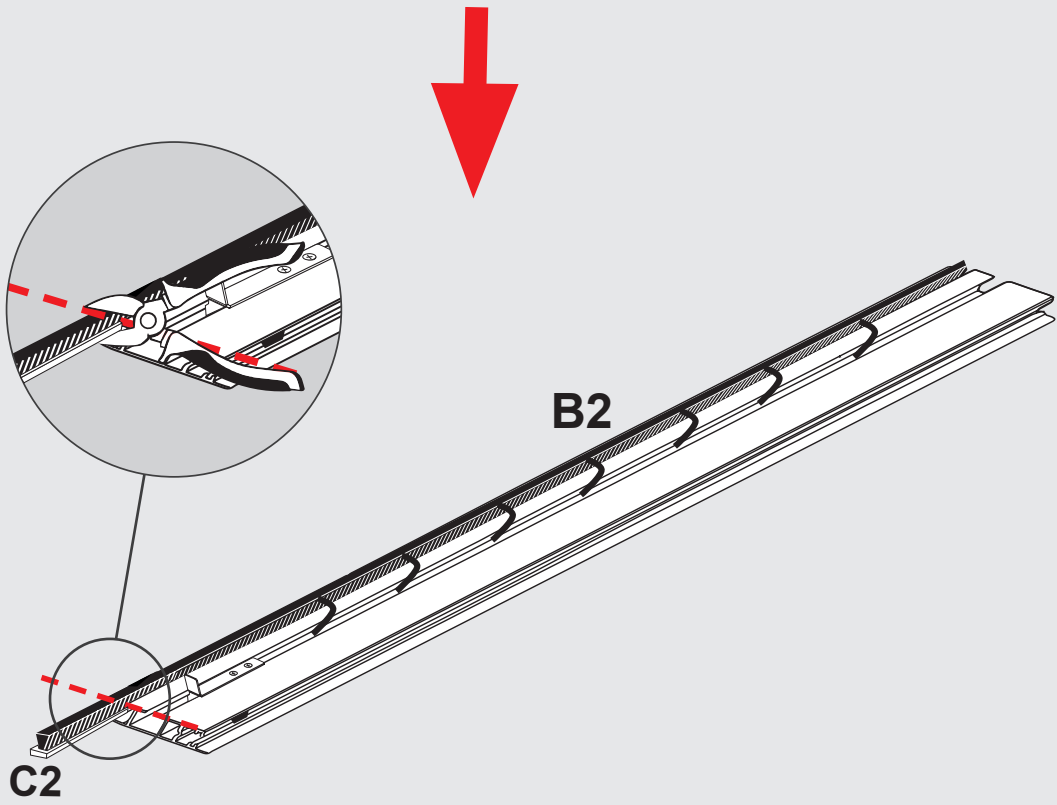
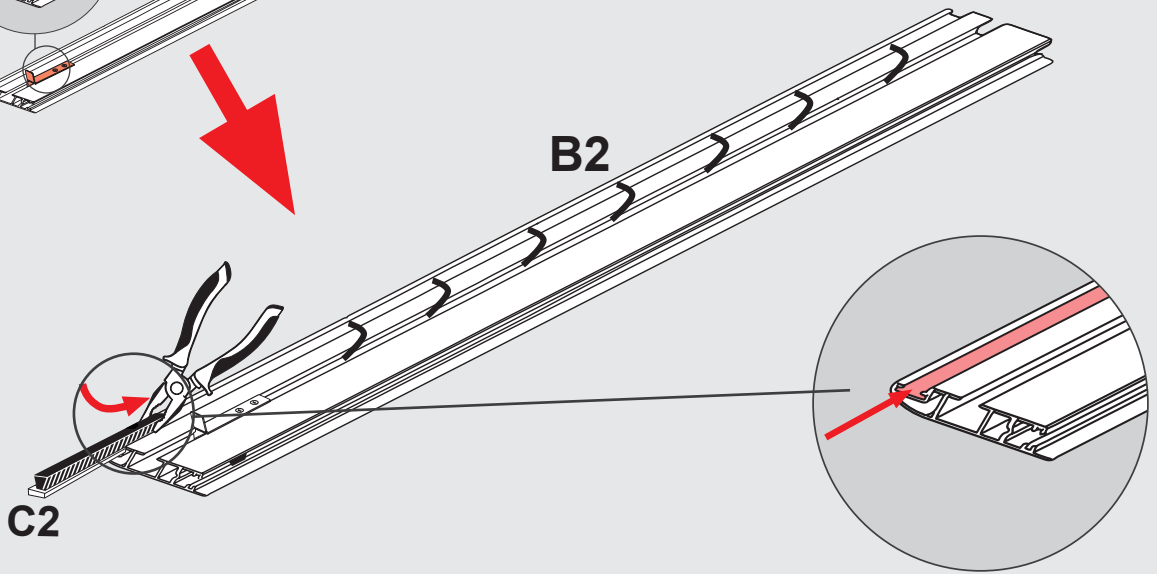
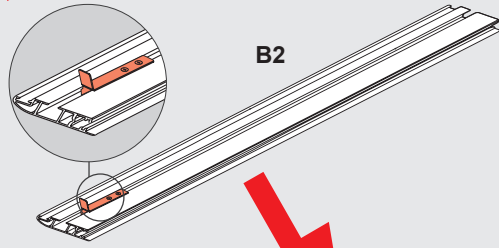
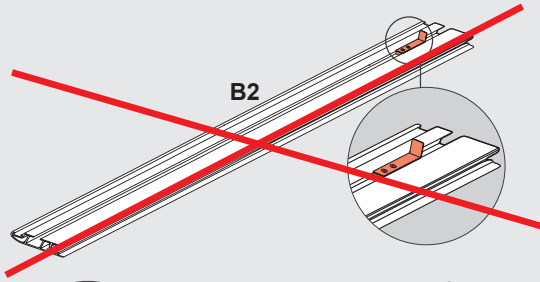
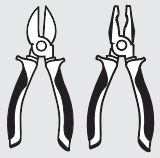


27 → 39

30

C2

1x

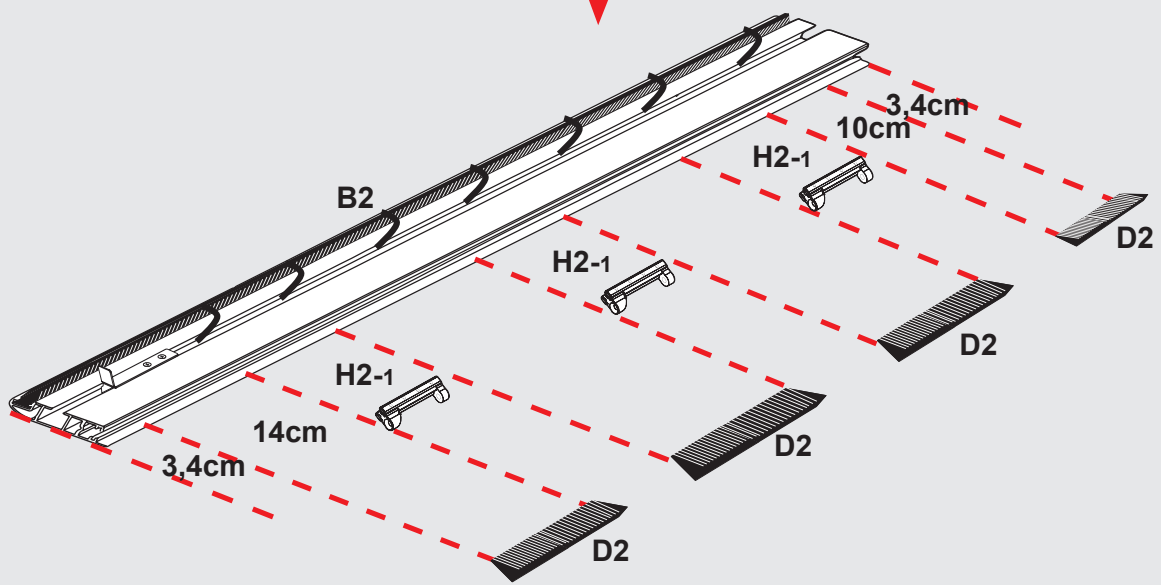
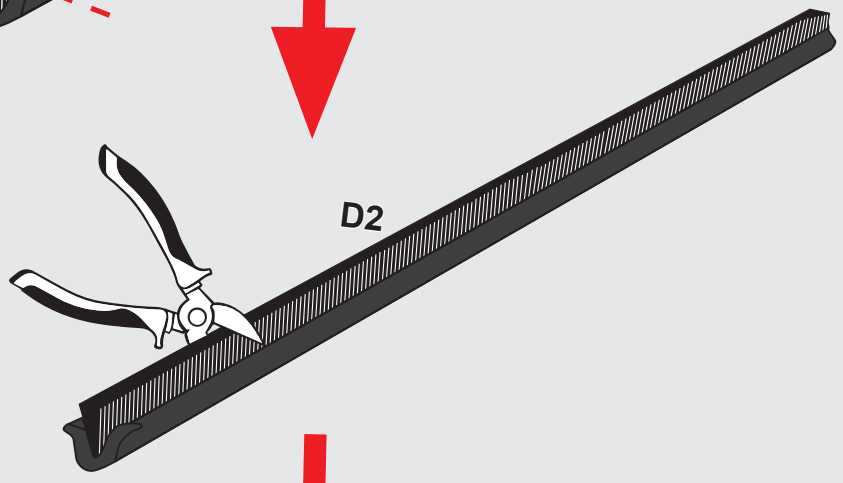
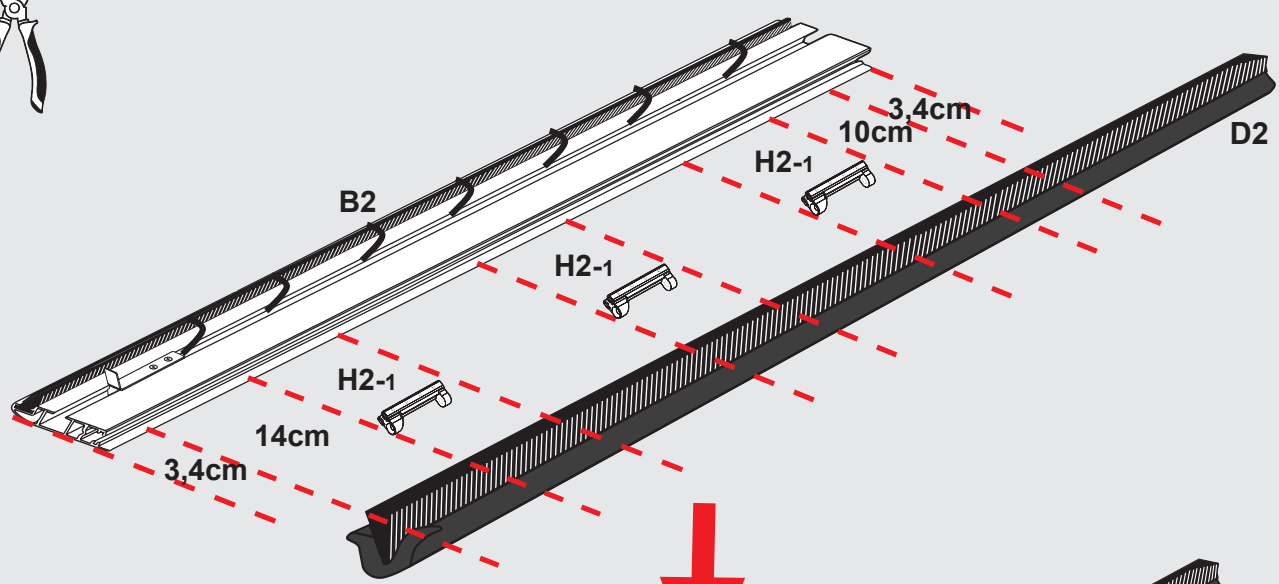


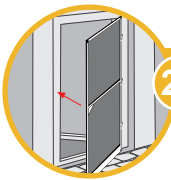


27 → 39

31

- B2** 1x
- D2** 1x
- H2-1** 3x

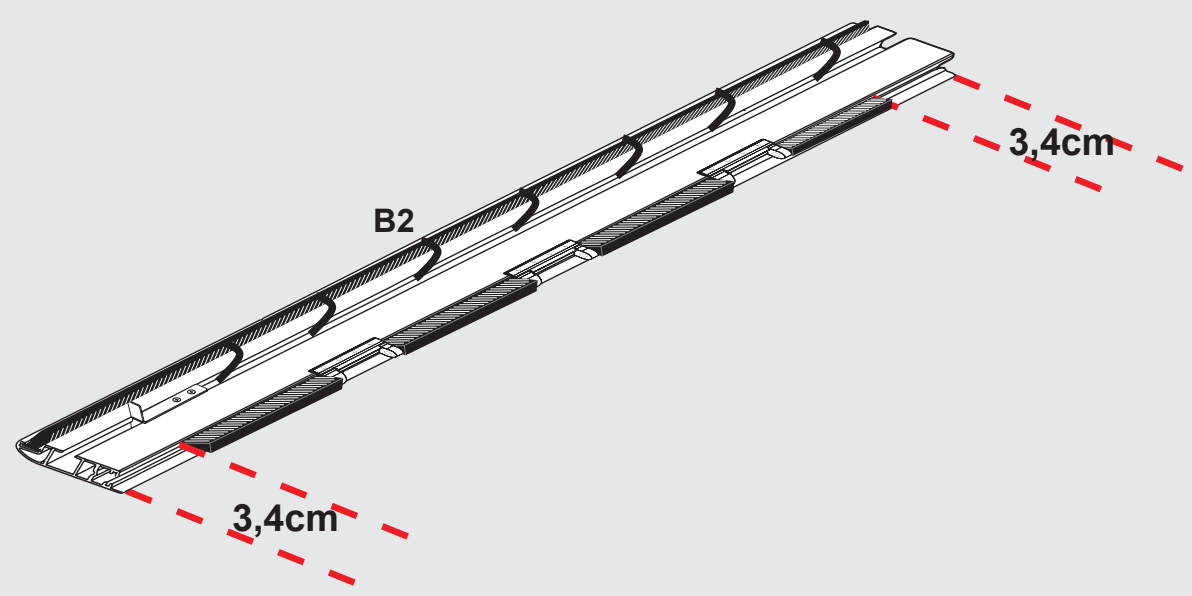
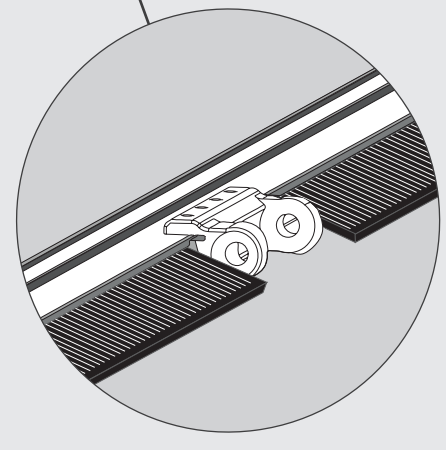
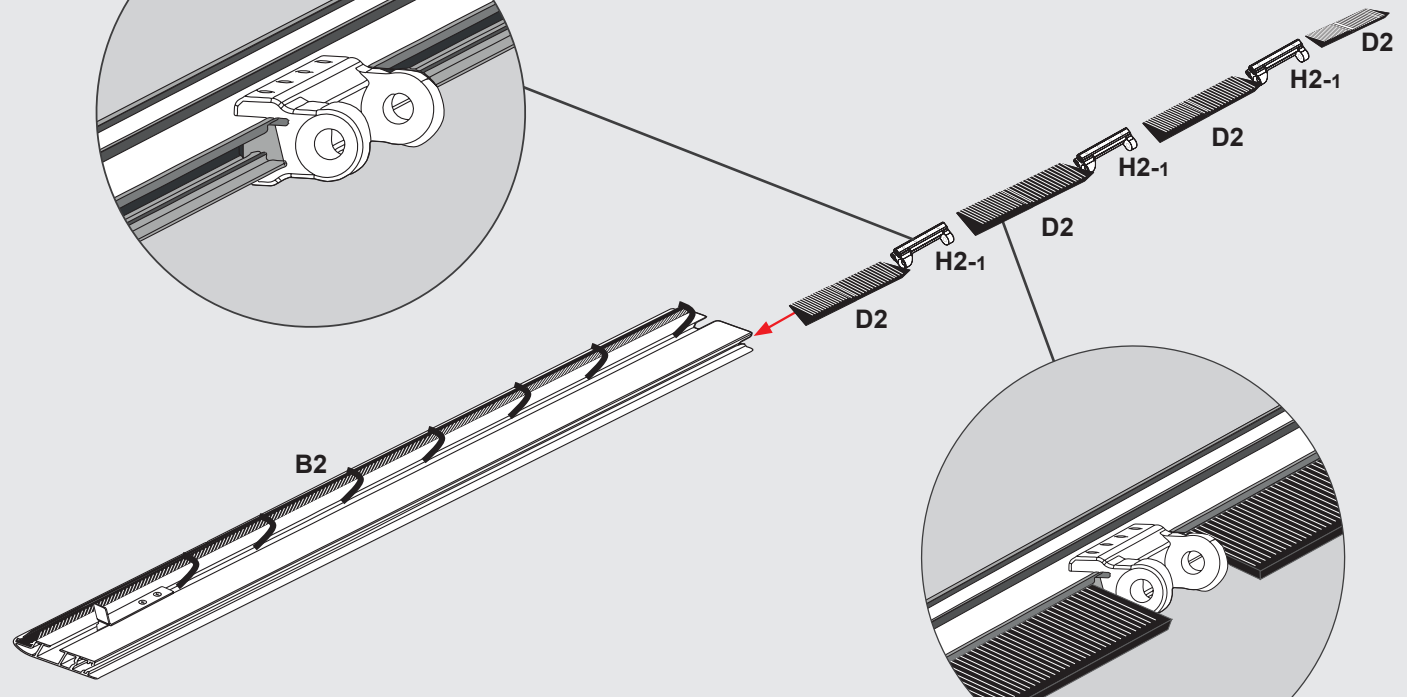
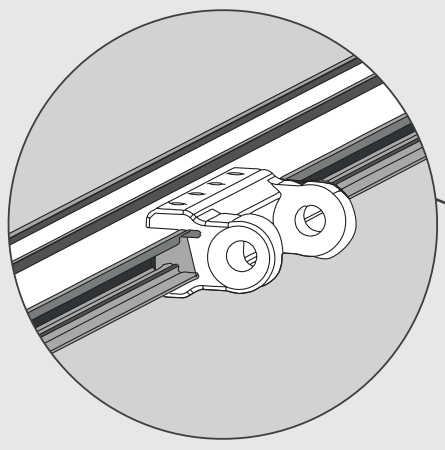


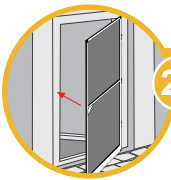


27 → 39

32

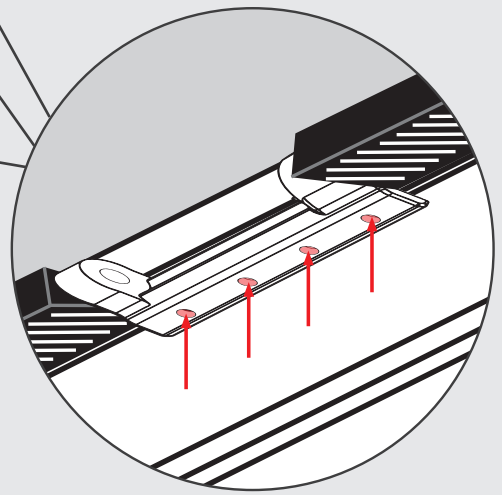
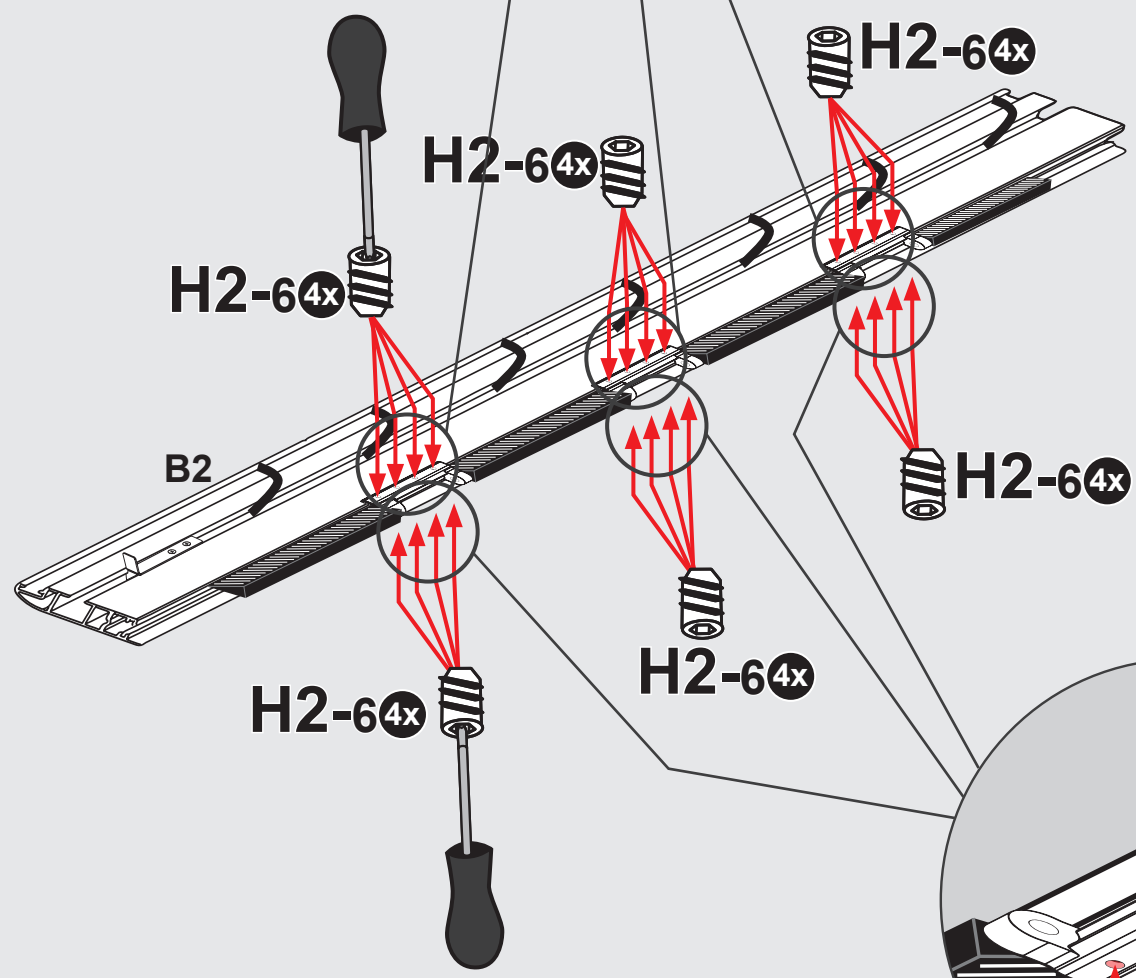
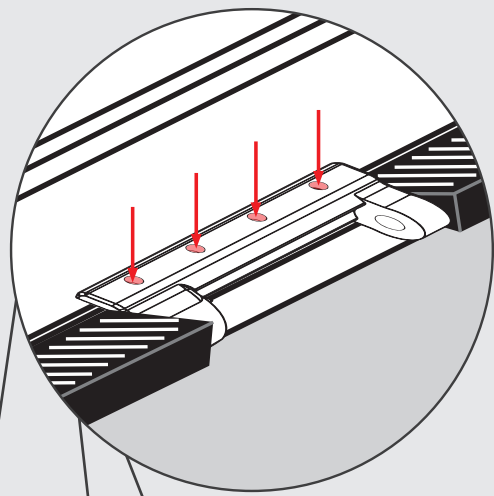
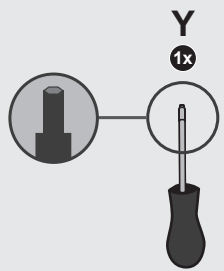
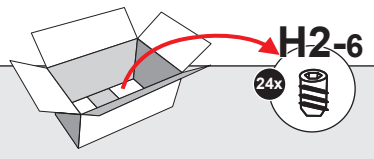
- B2** 1x
- D2** 1x
- H2-1** 3x





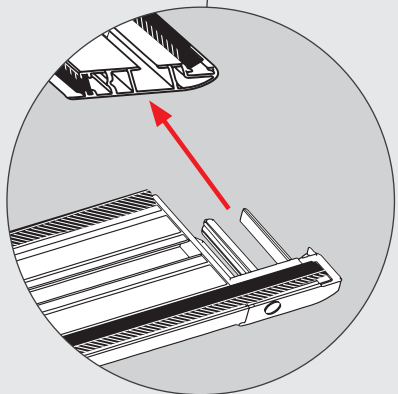
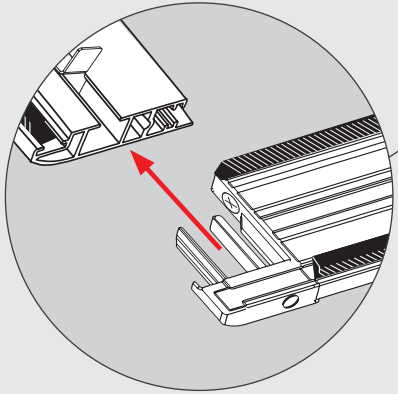
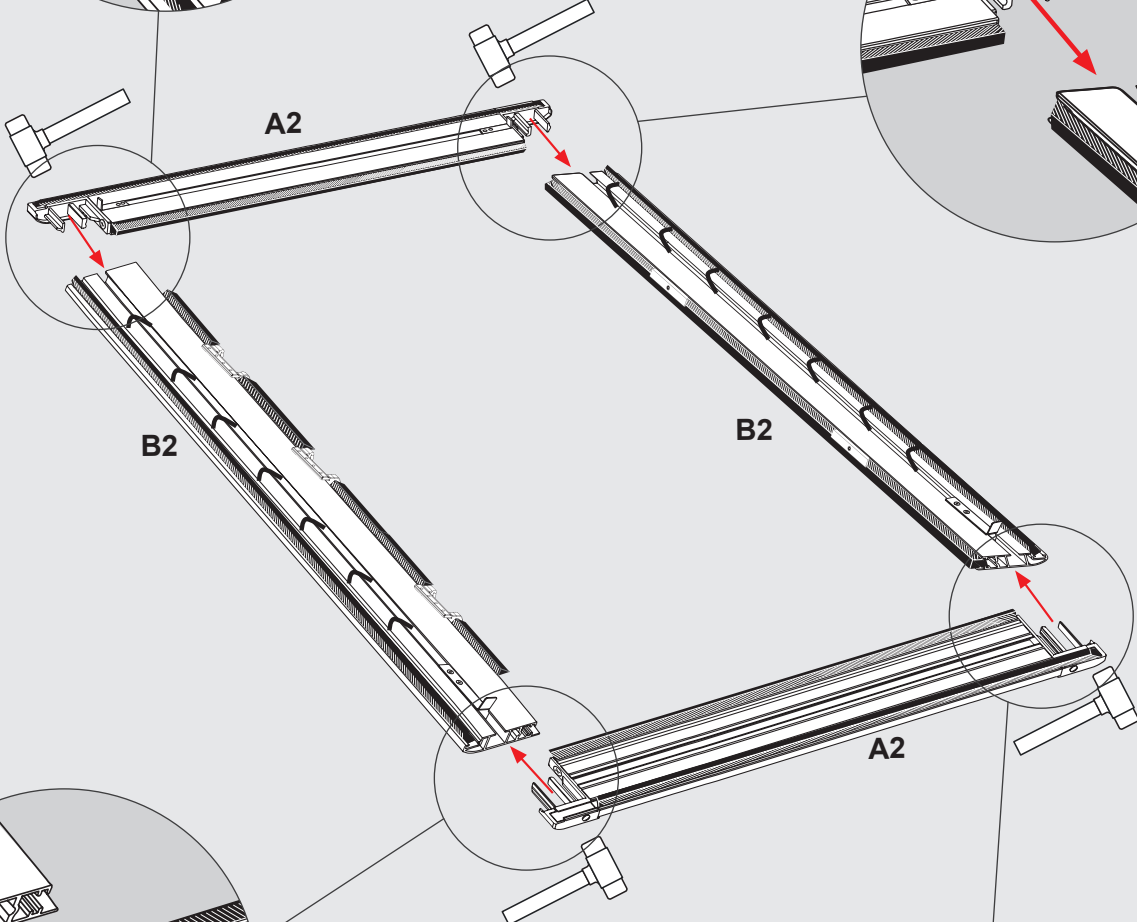
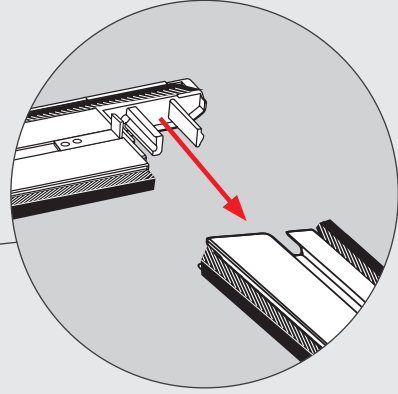
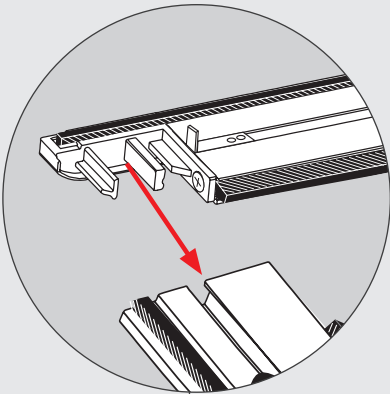
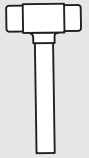
27 → 39

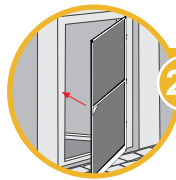
33





34

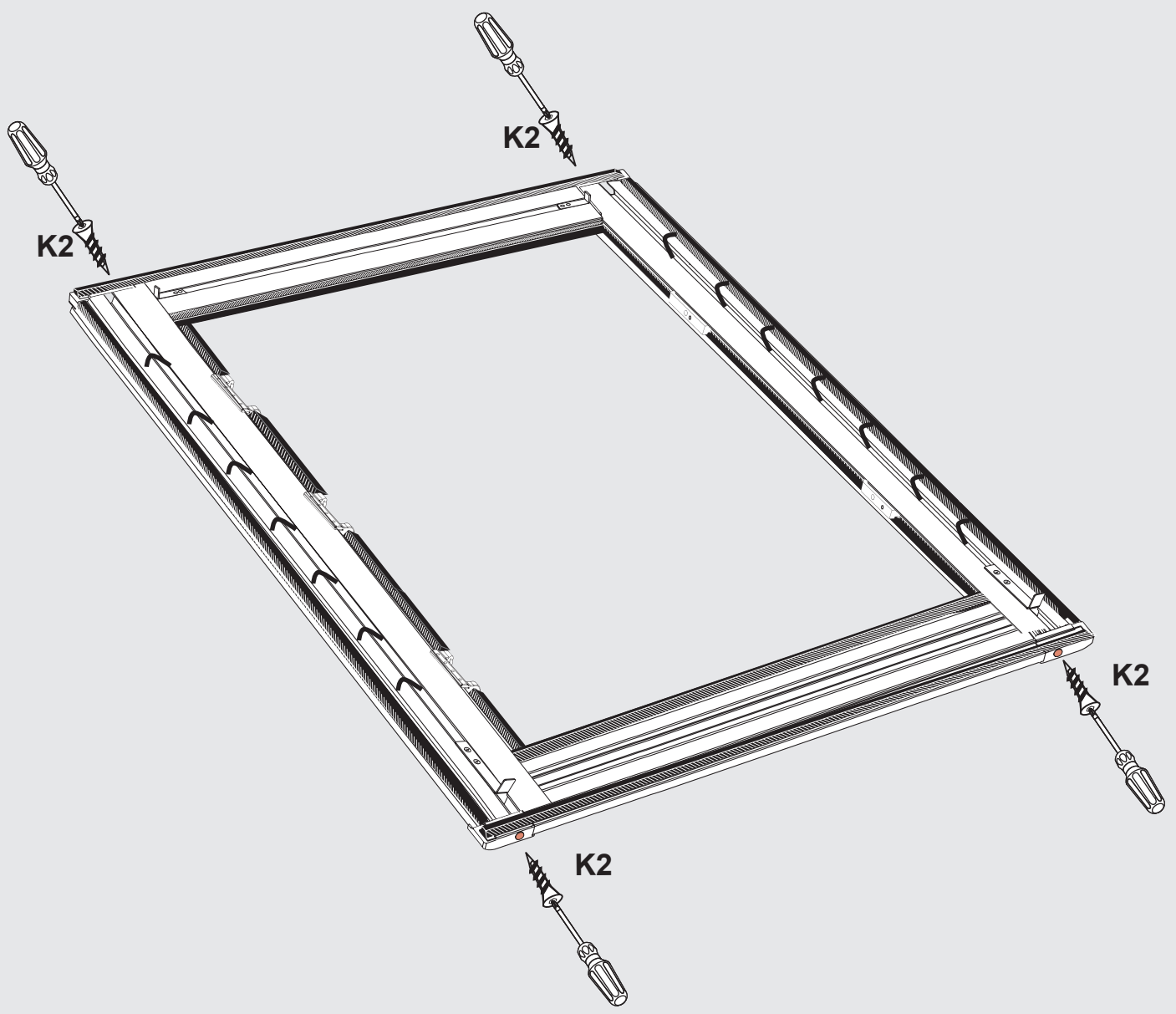
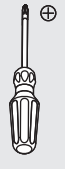




27 → 39

35

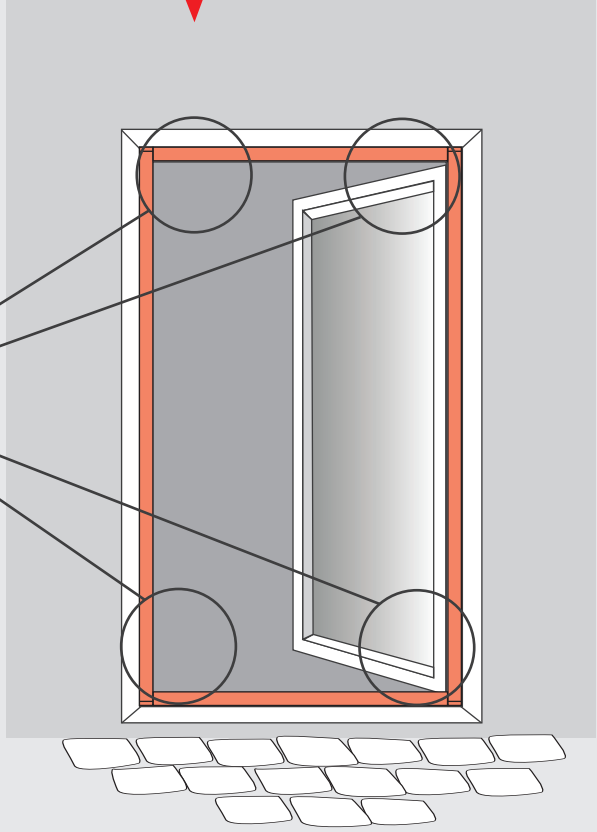
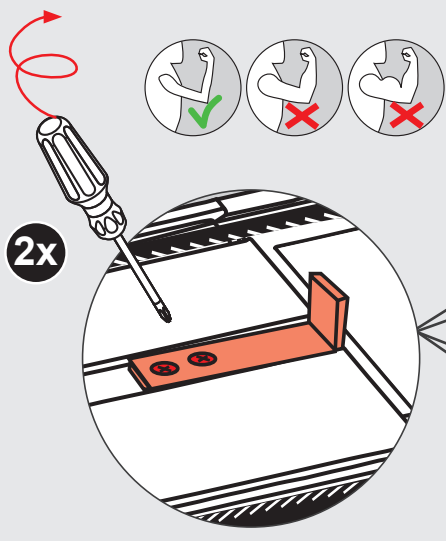
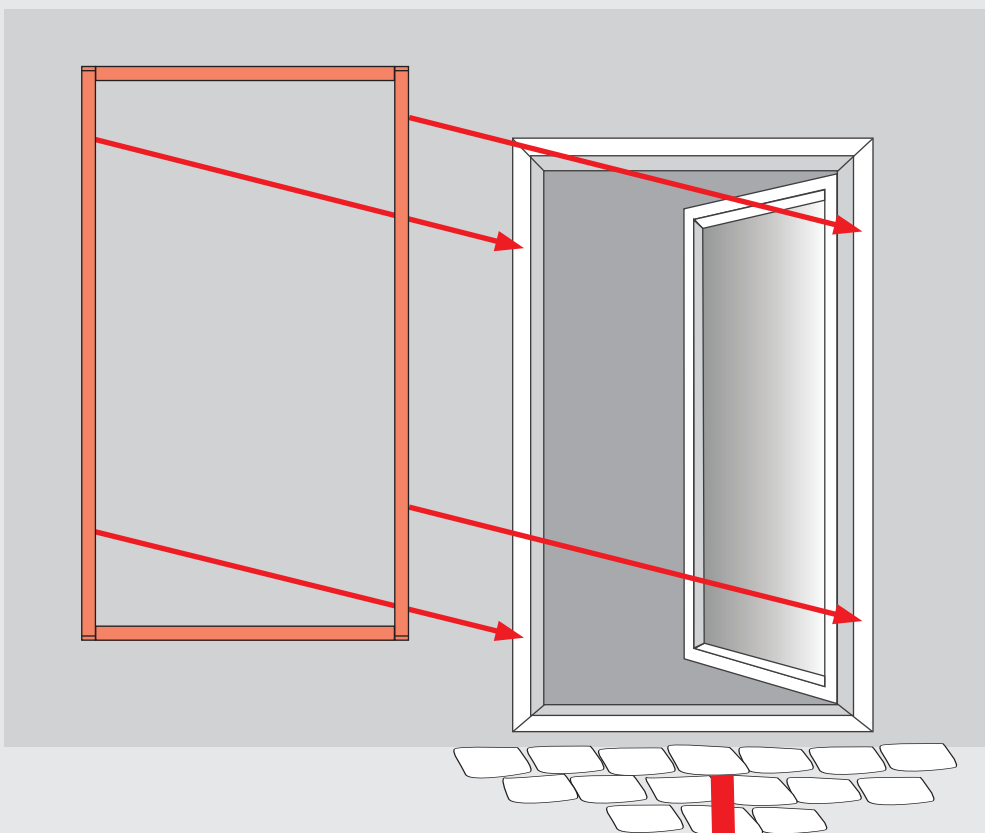
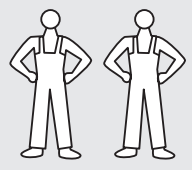
K2
4x

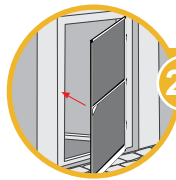




27 → 39

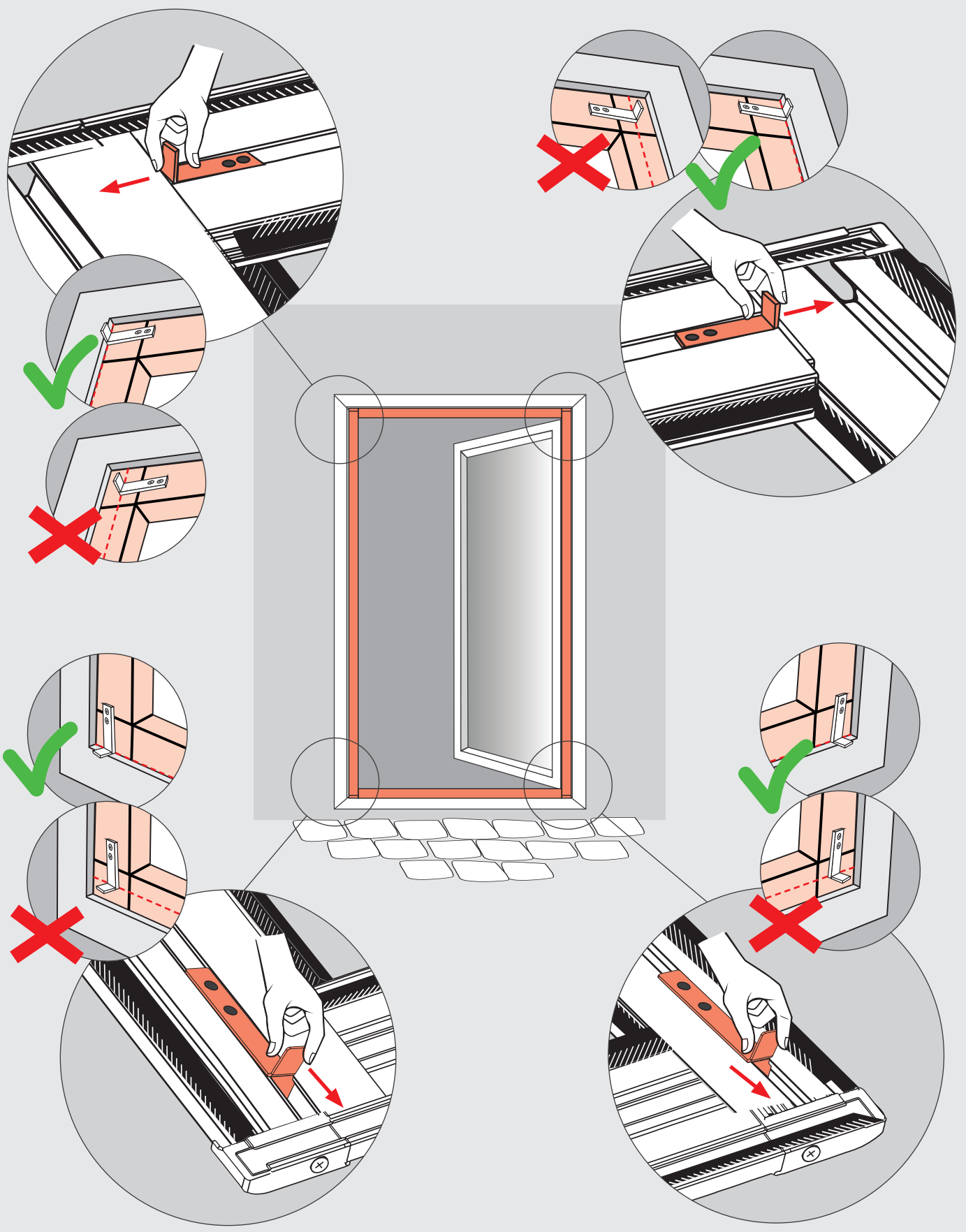
36

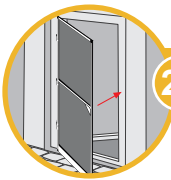




27 → 39

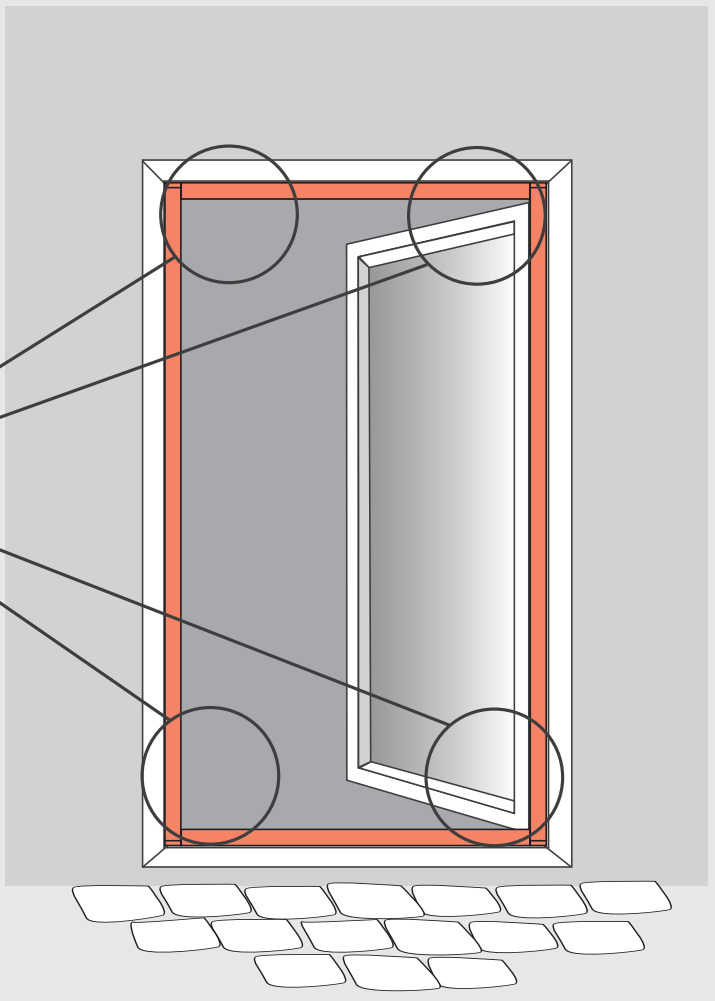
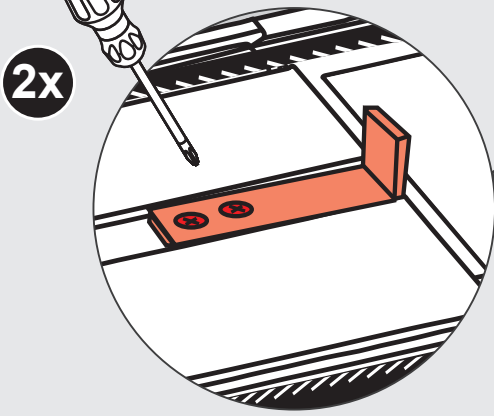
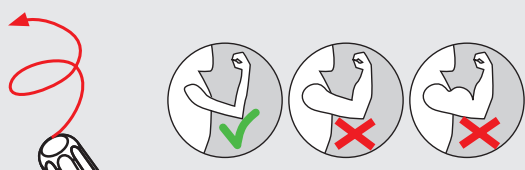
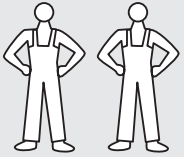
37





27 → 39

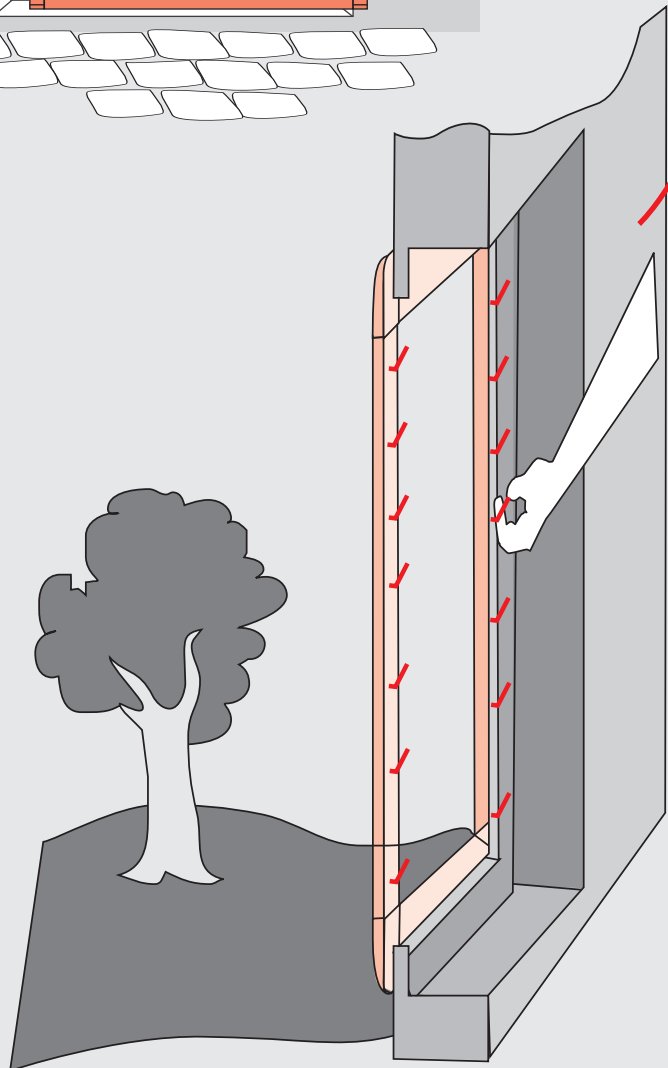
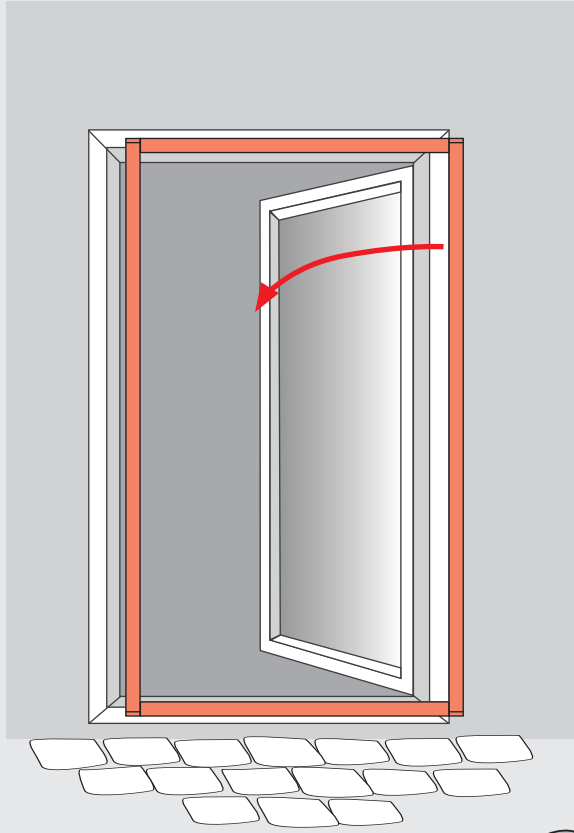
38



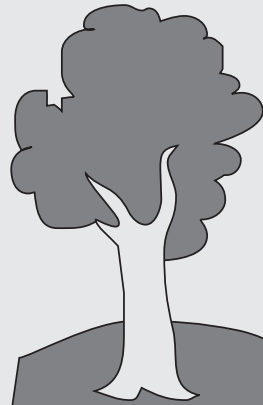
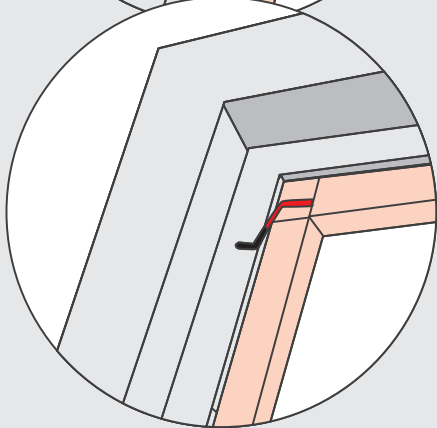
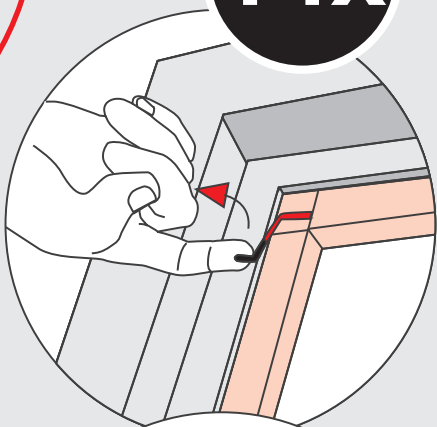


27 → 39

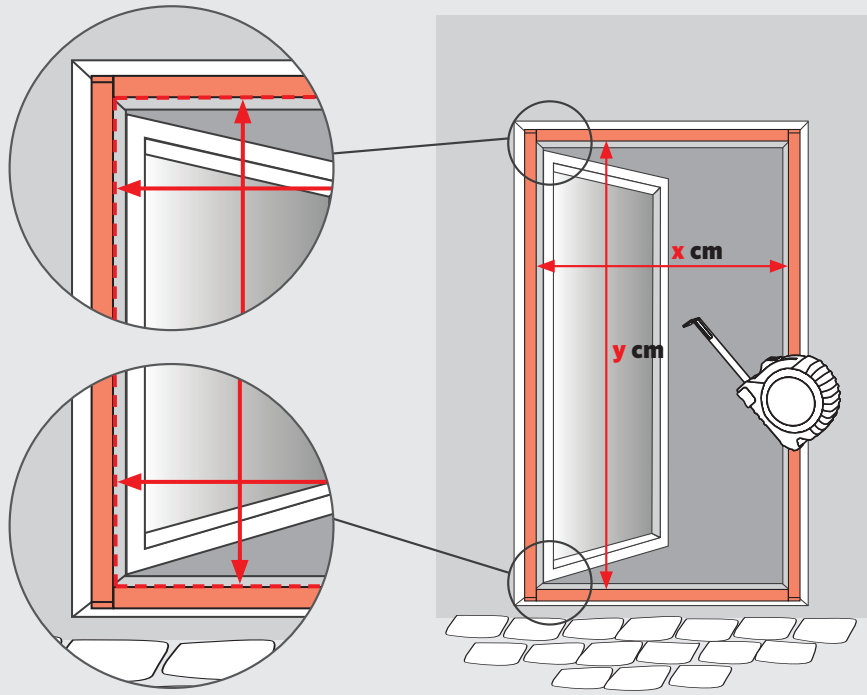
39



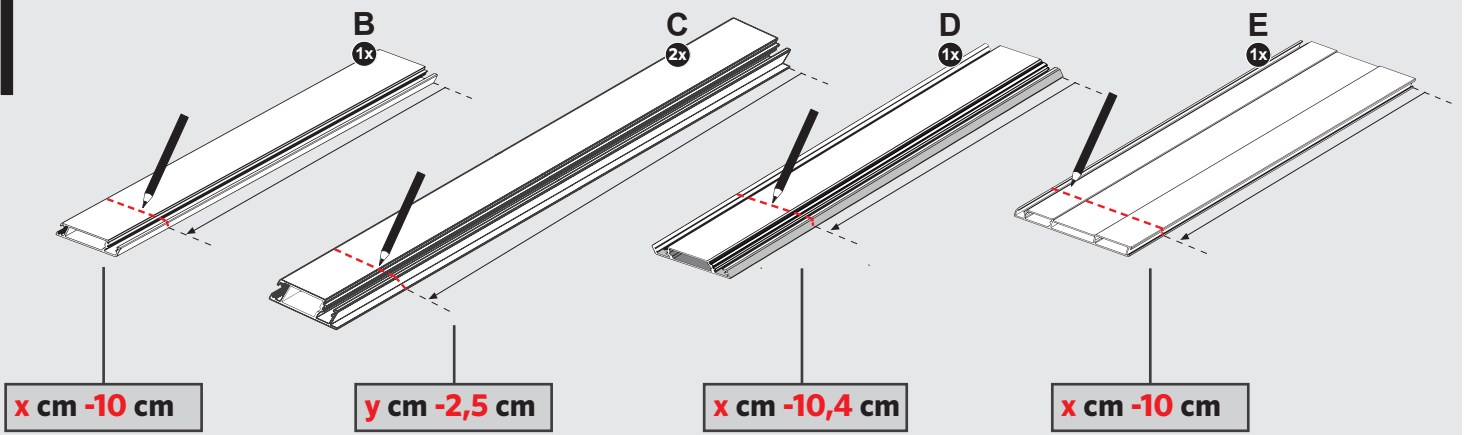
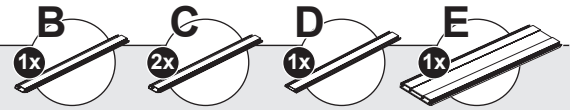
14x



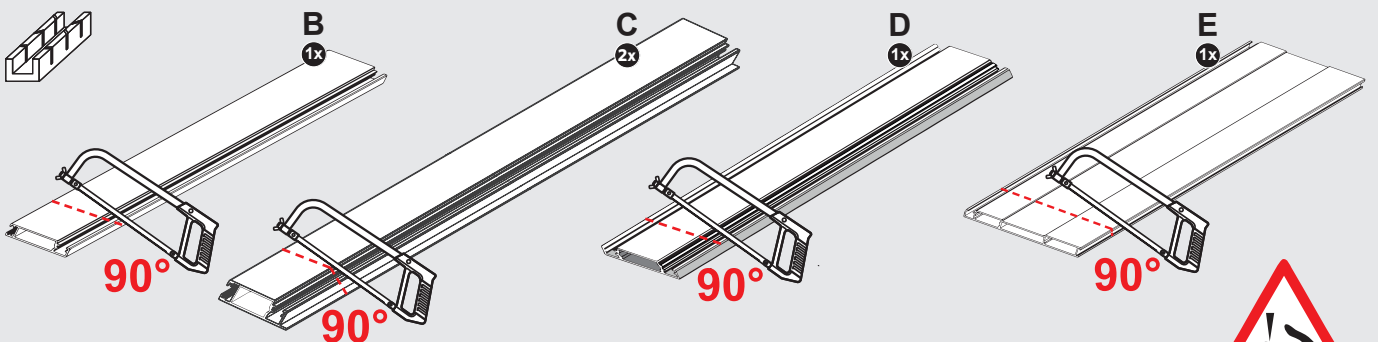
40



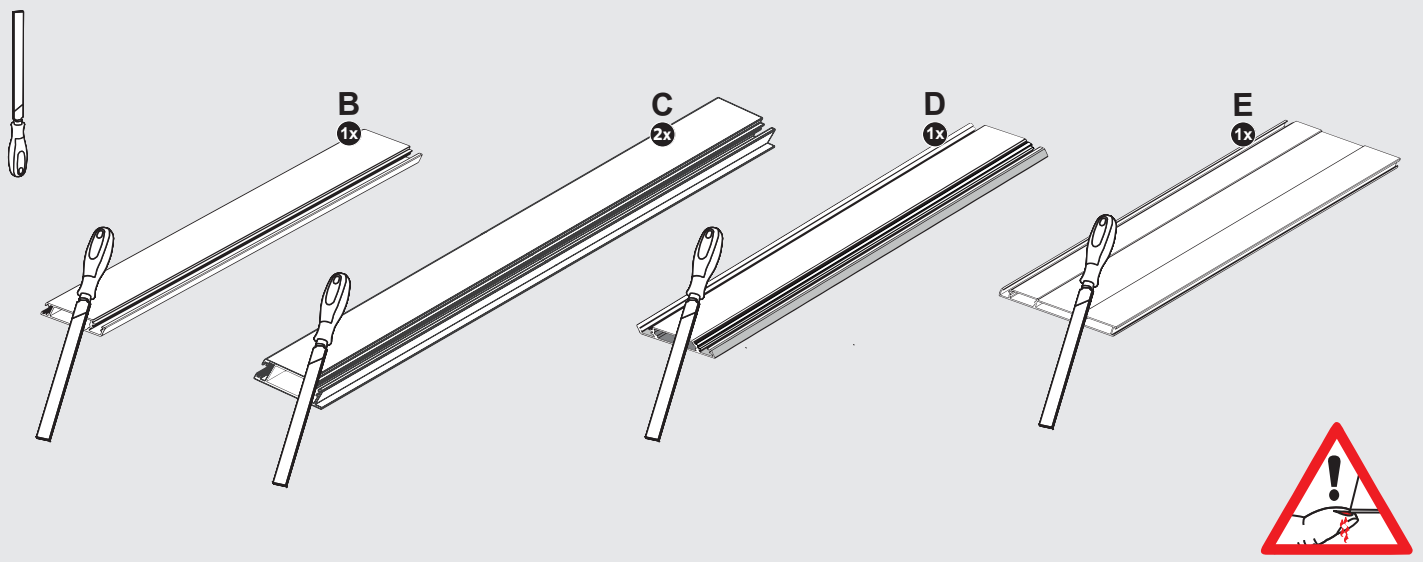
41



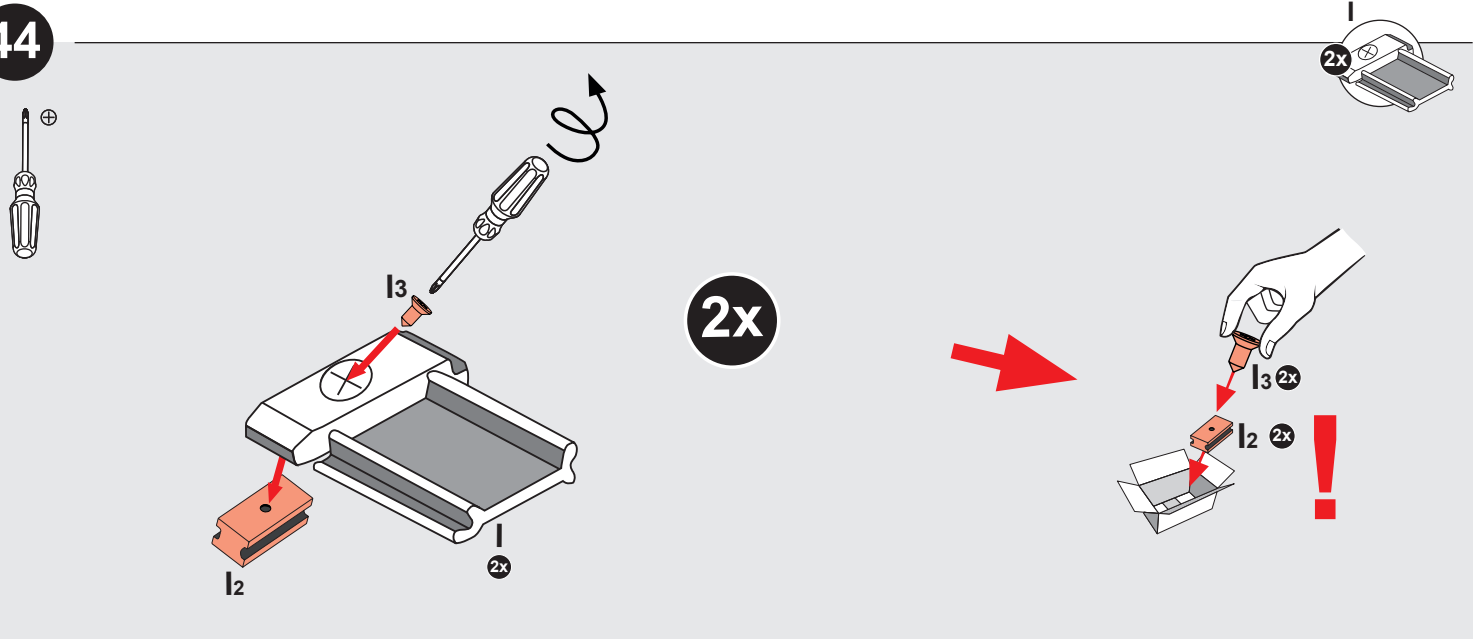
42



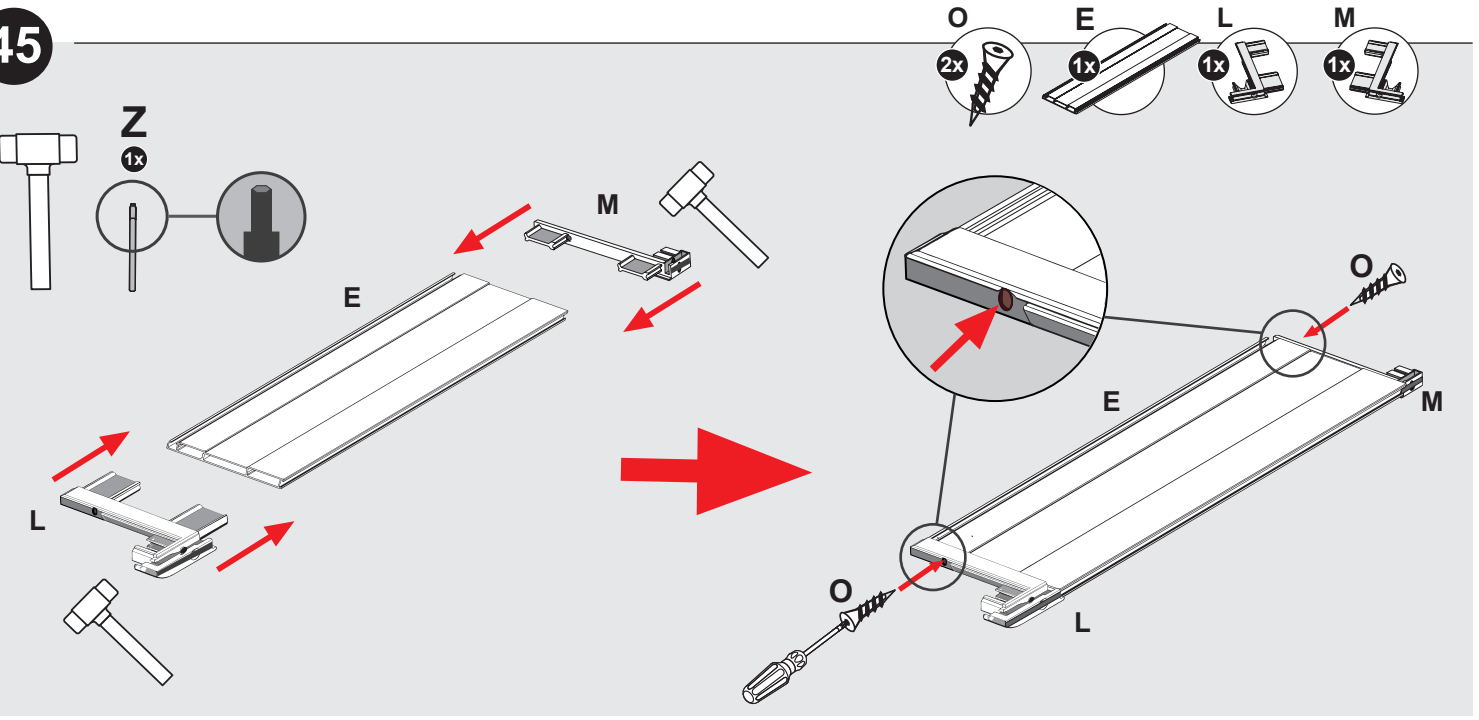
43



44

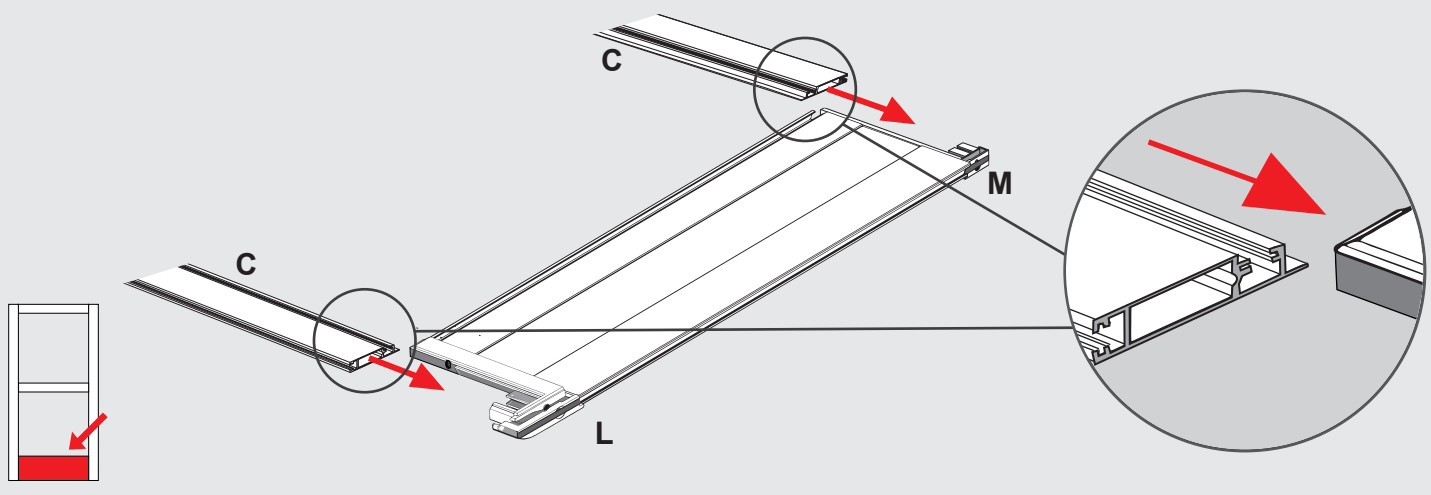


45



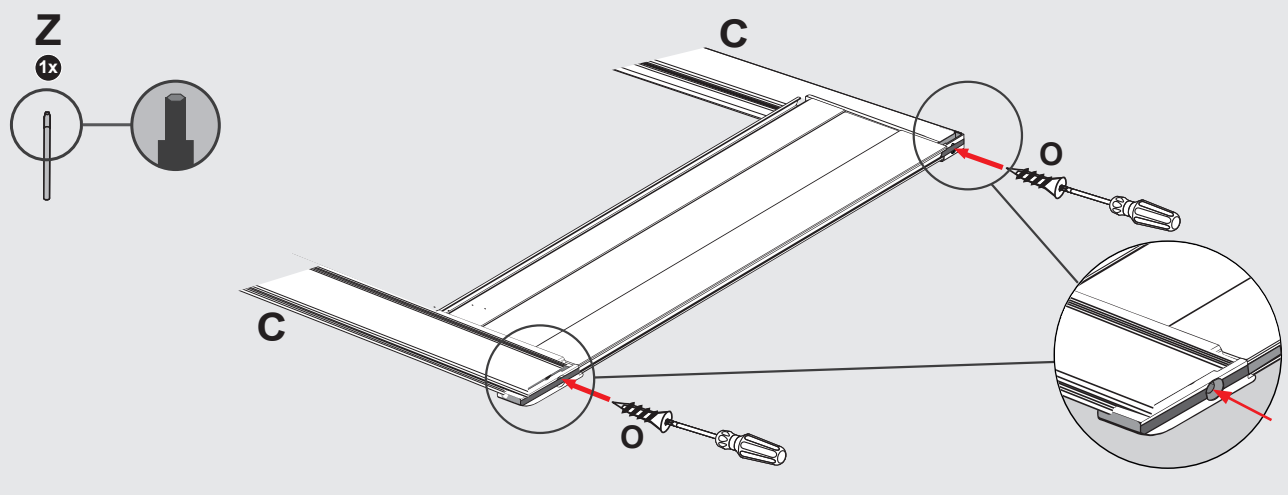
46

45
C
2x



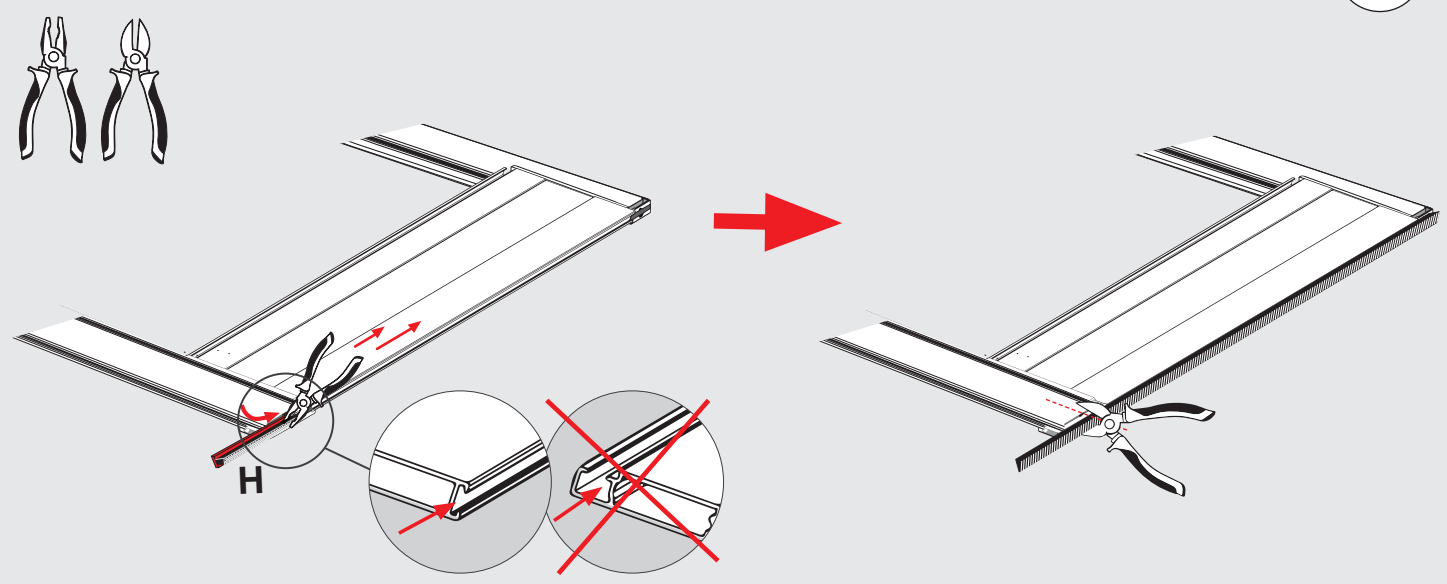
47

O
2x



48

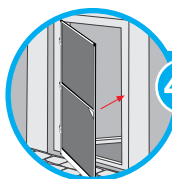
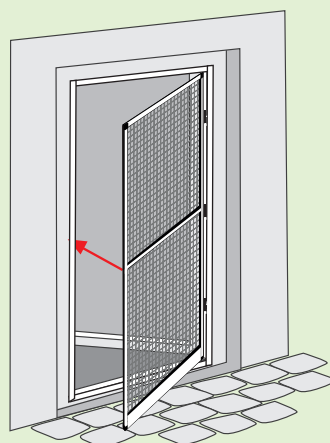
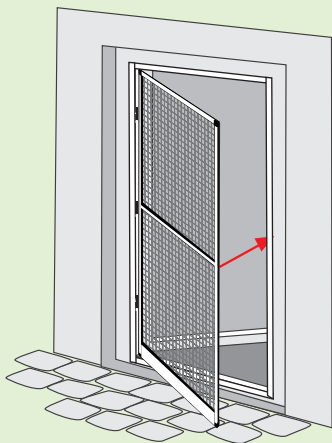
H
1x



i

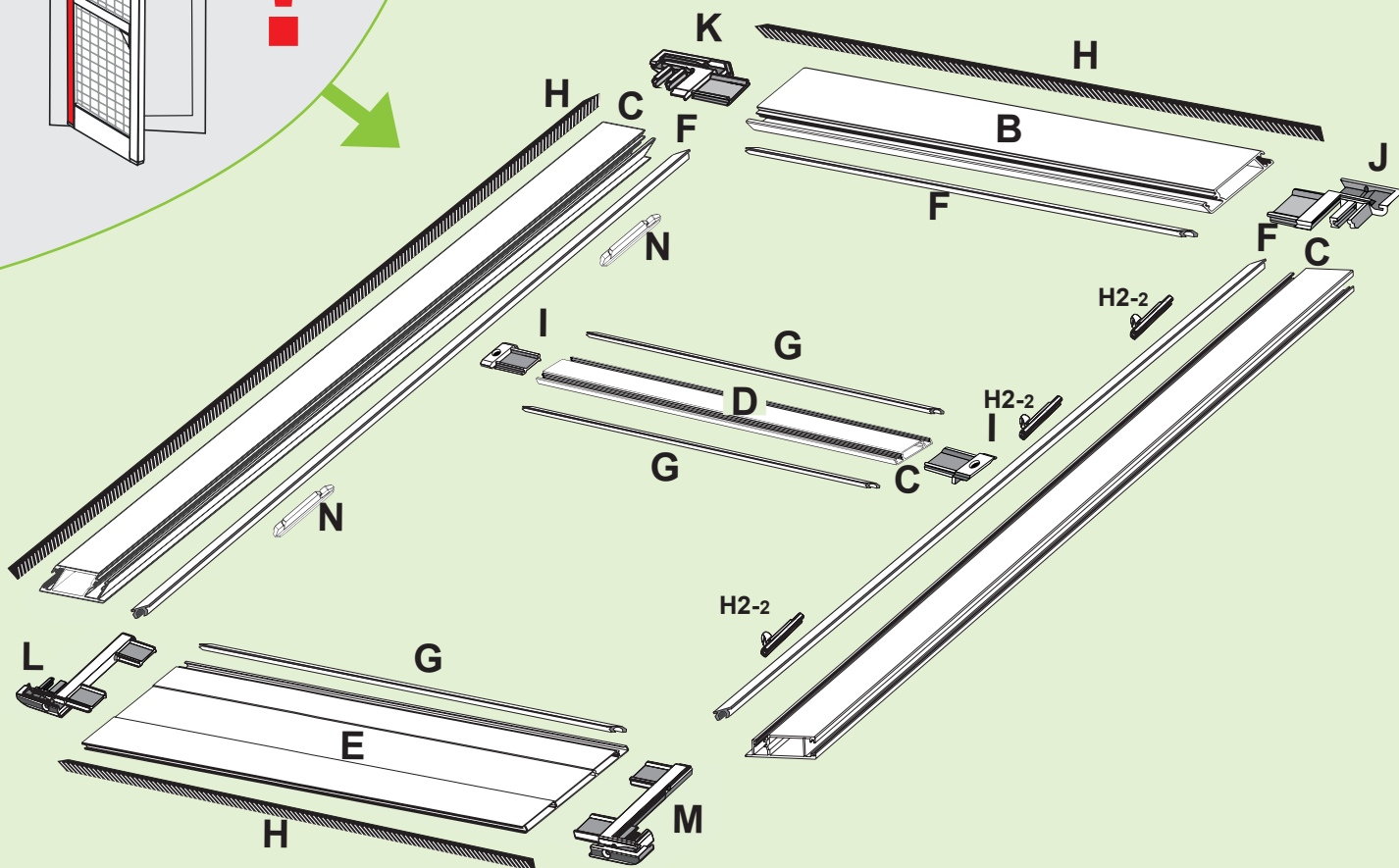
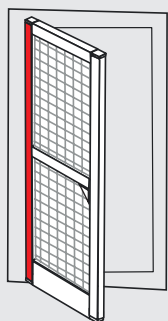
49 → 70

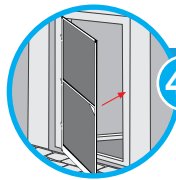
71 → 92



49 → 70

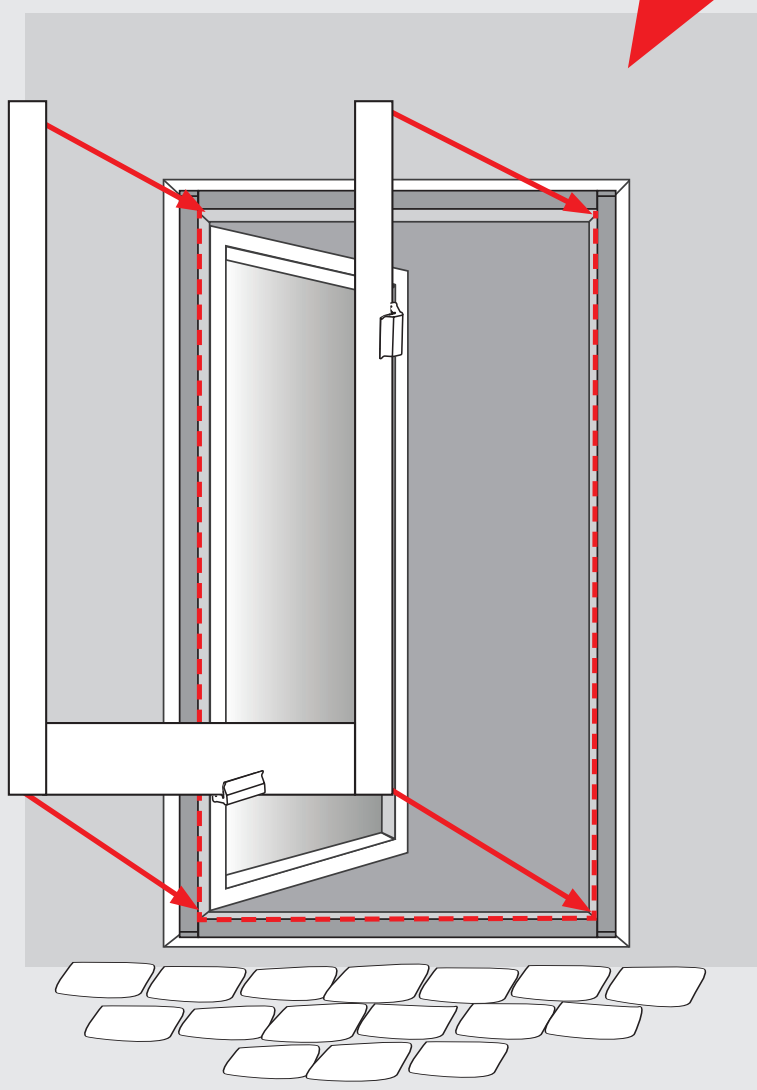
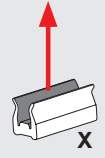
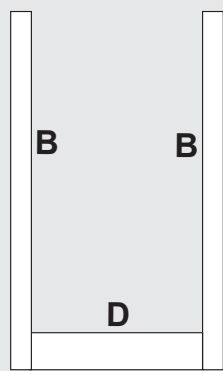
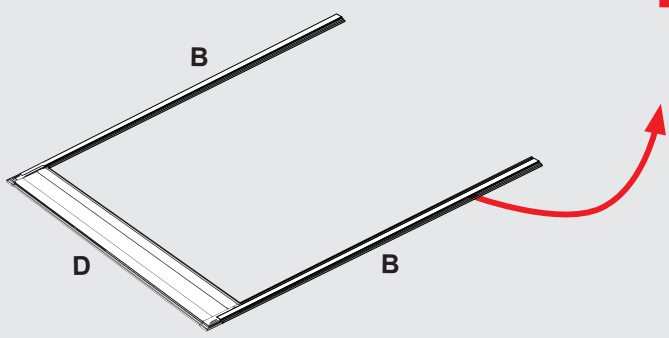
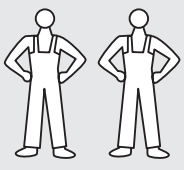
i

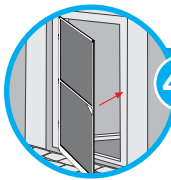




49 → 70

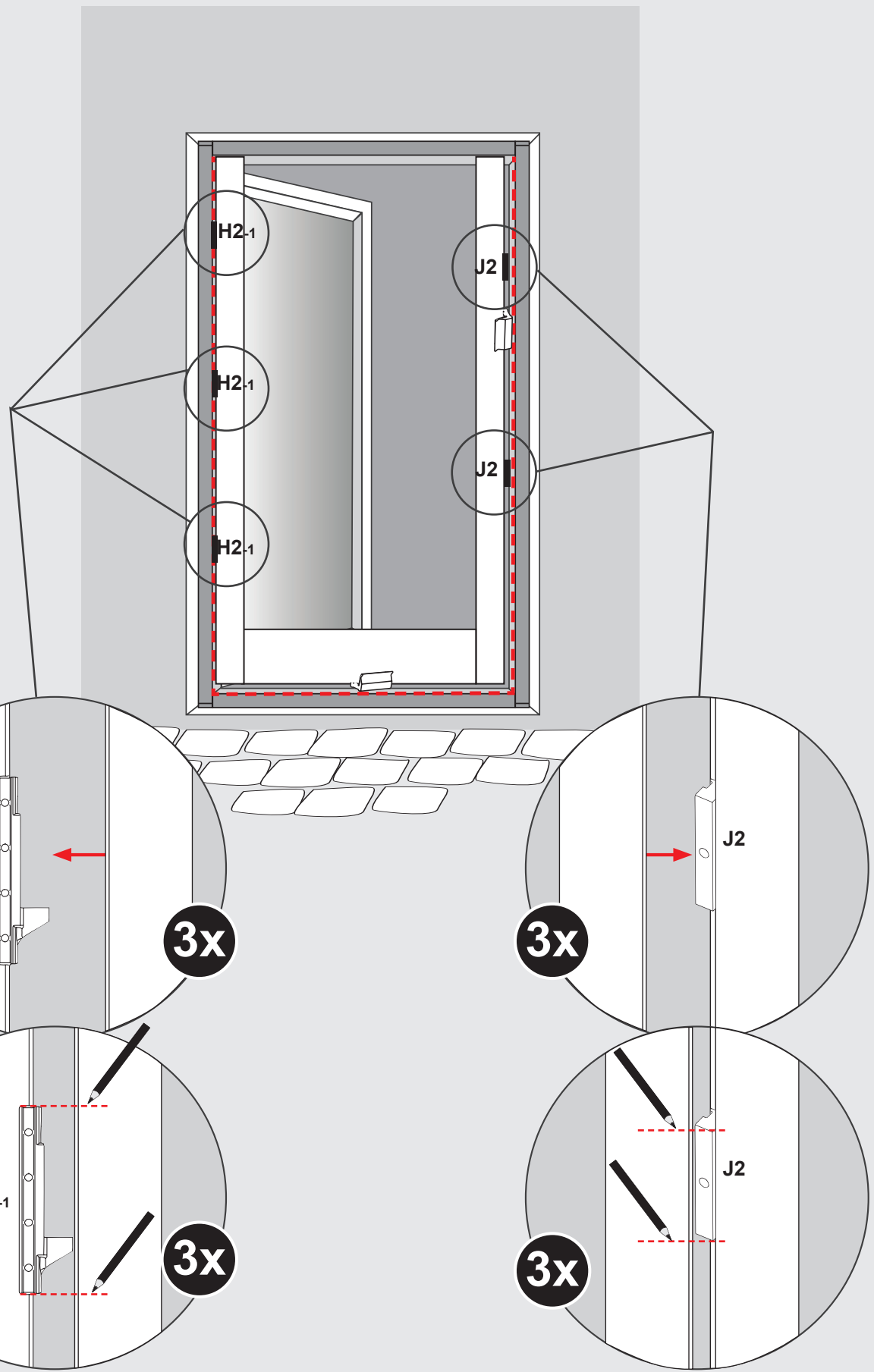
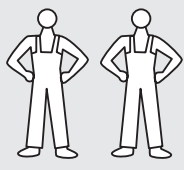
49

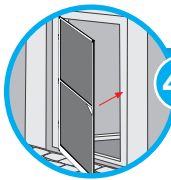




49 → 70

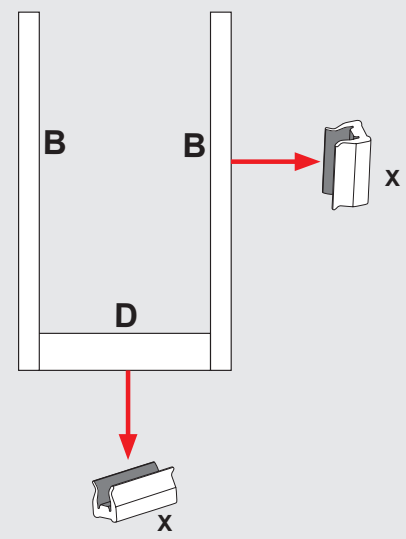
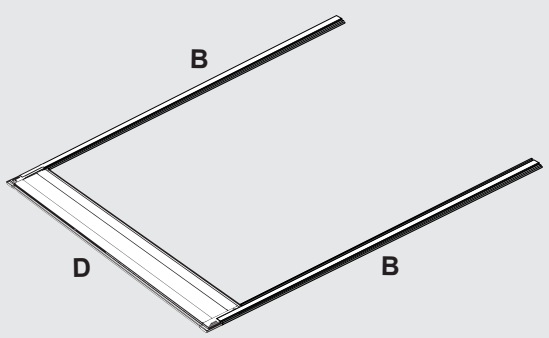
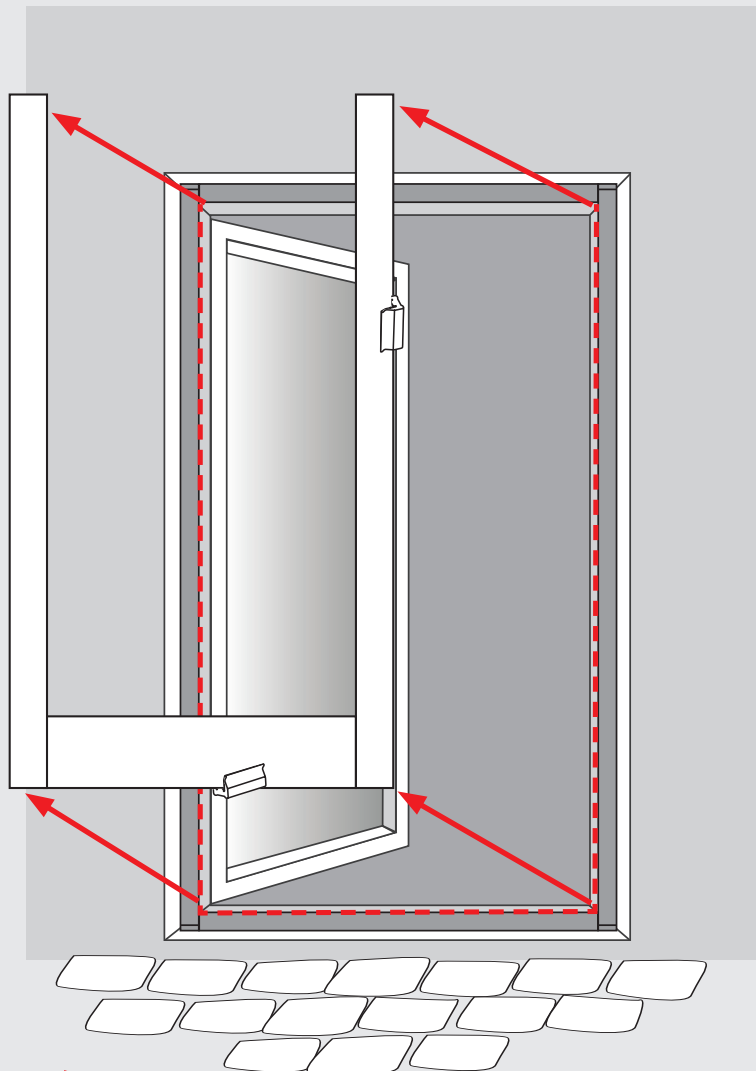
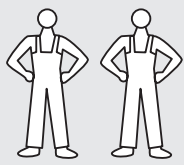
50

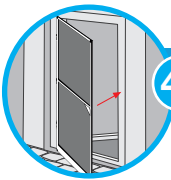




49 → 70

51

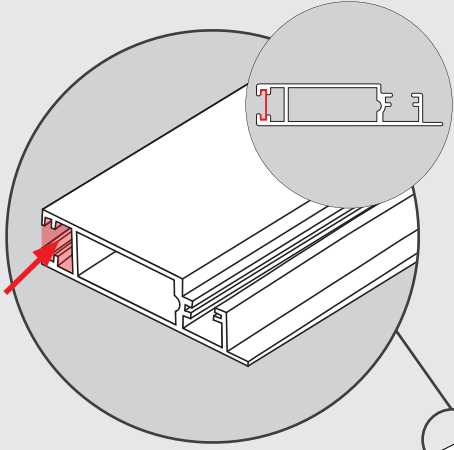
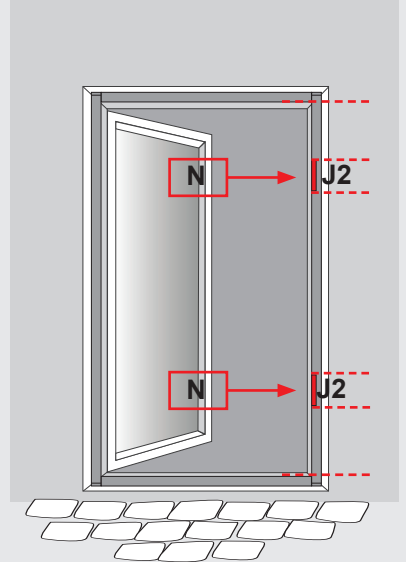
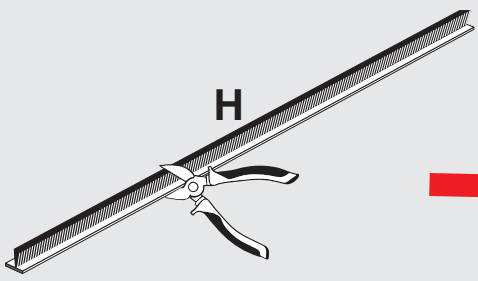
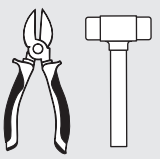




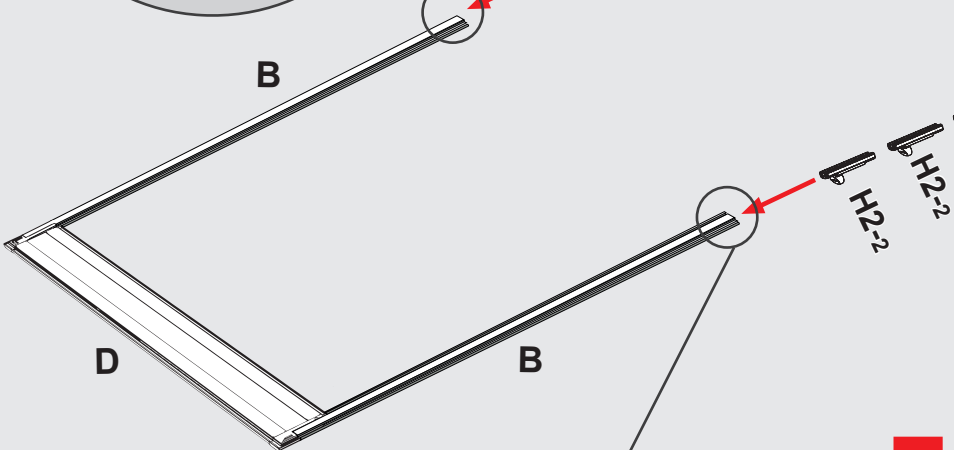
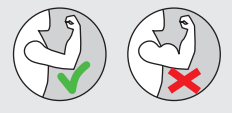
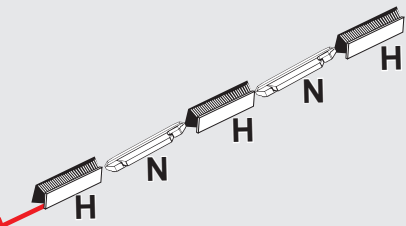
49 → 70

52

H2-2 (3x) H (1x) N (2x)



B



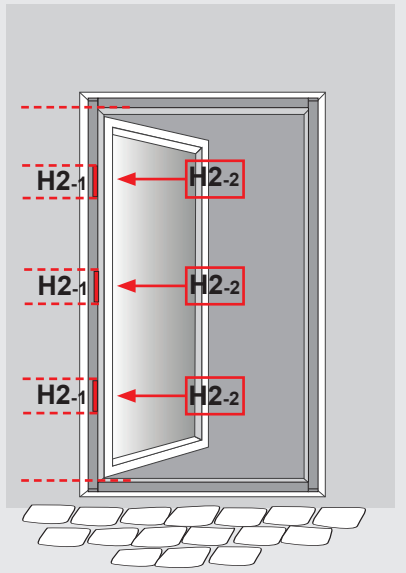
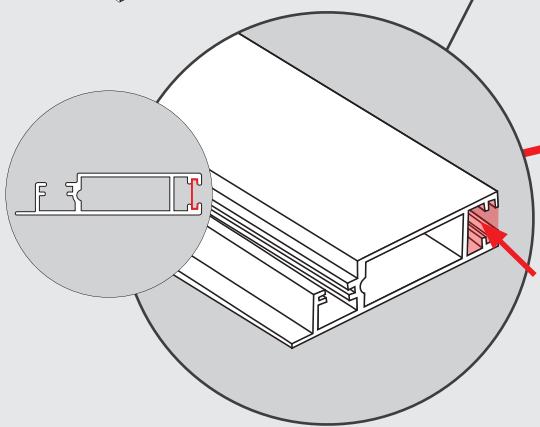
D

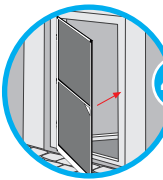
B

H2-2

H2-2

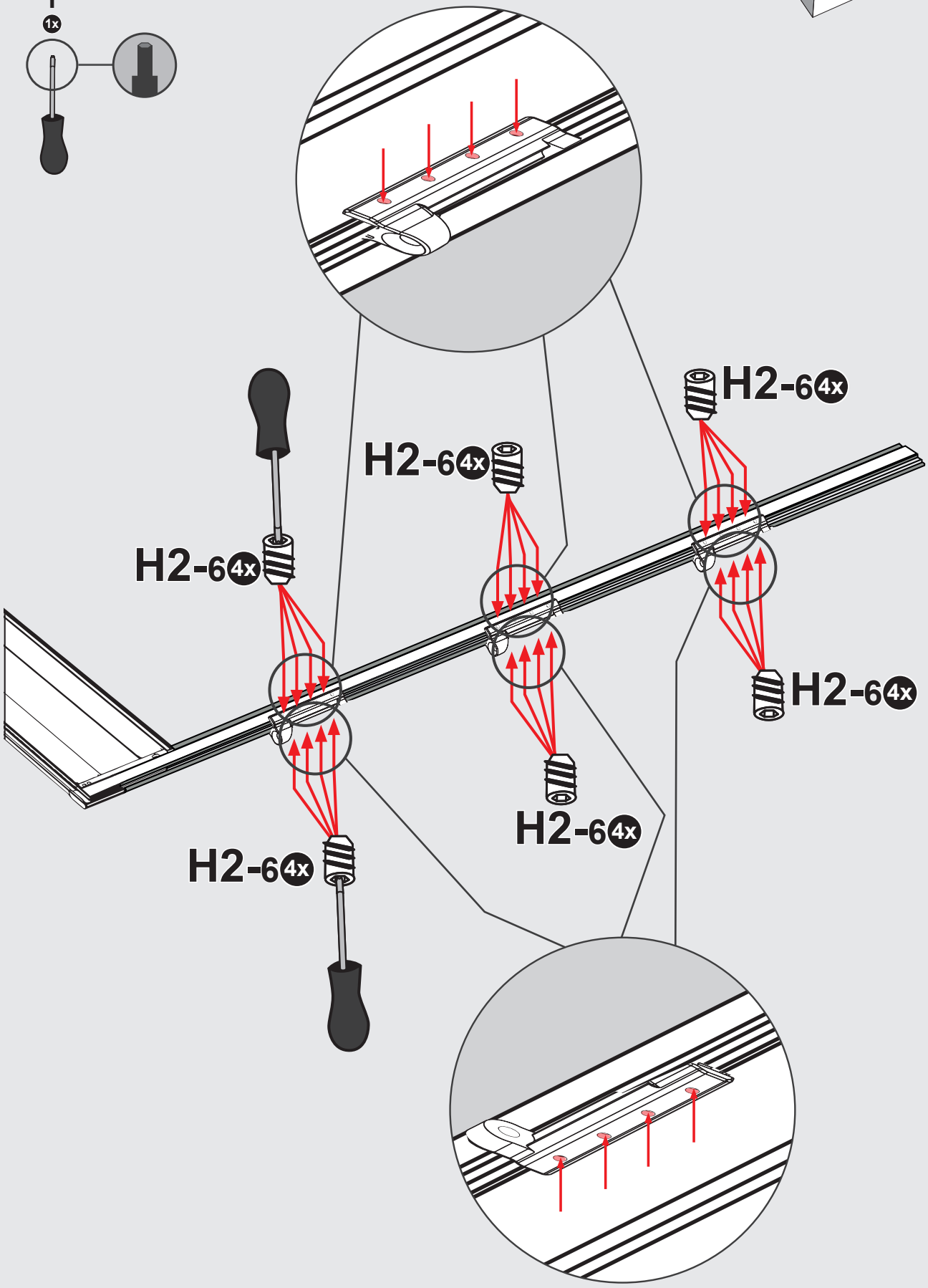
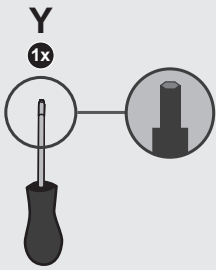
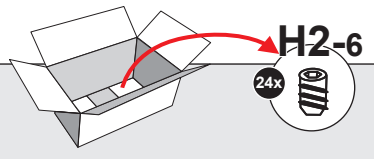
H2-2

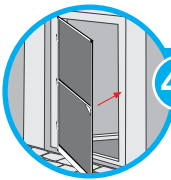




49 → 70

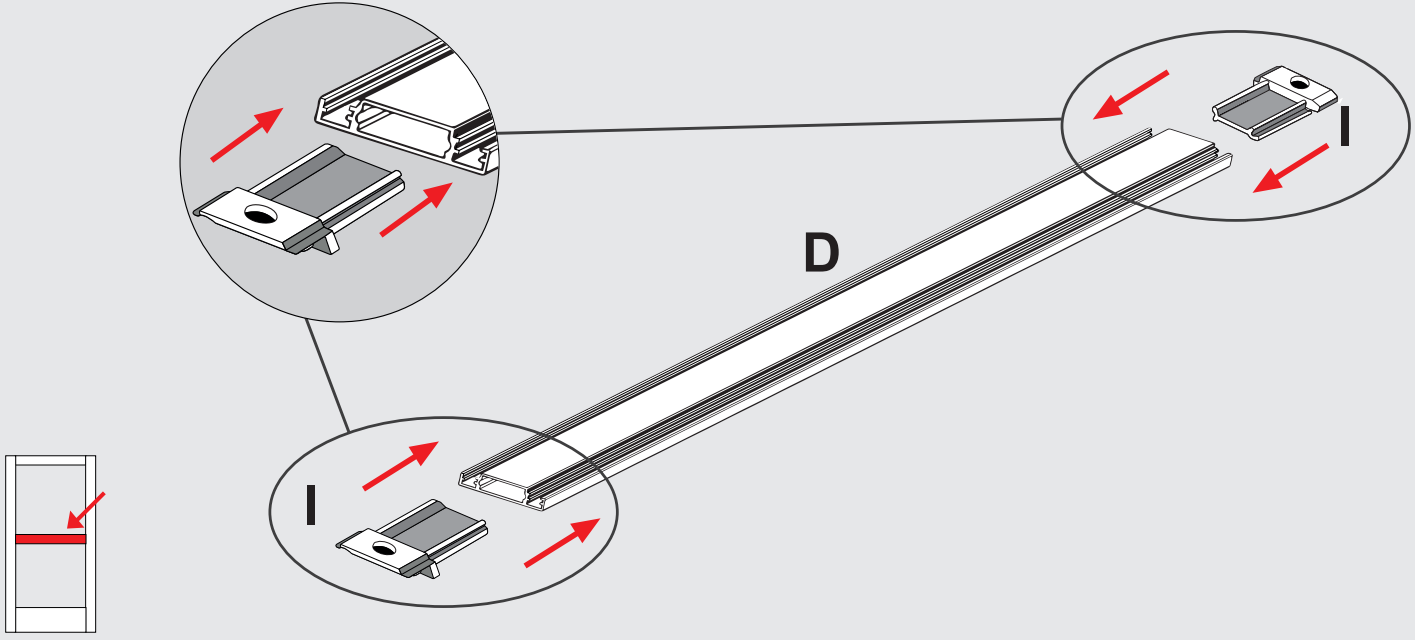
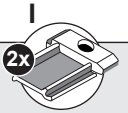
53



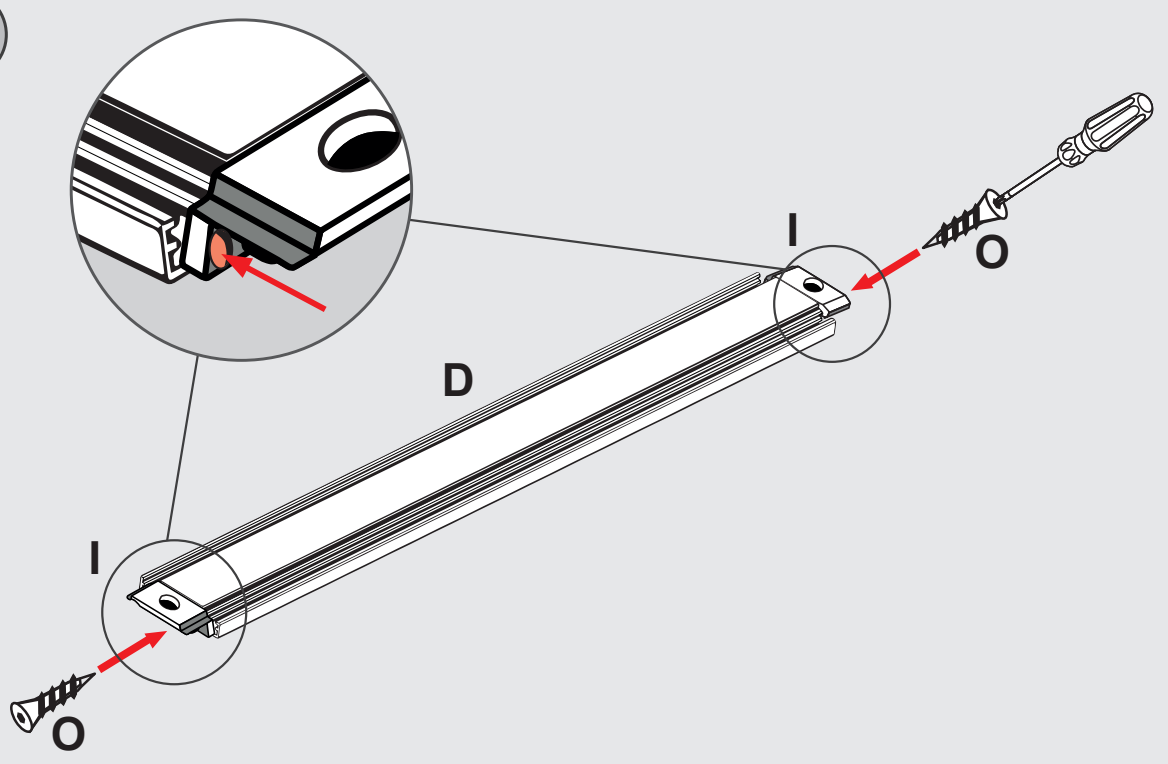
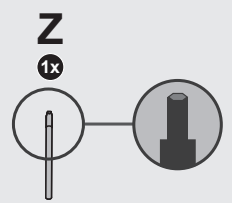
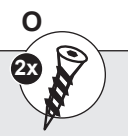


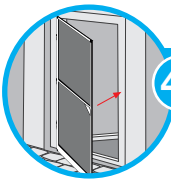
49 → 70

54



55

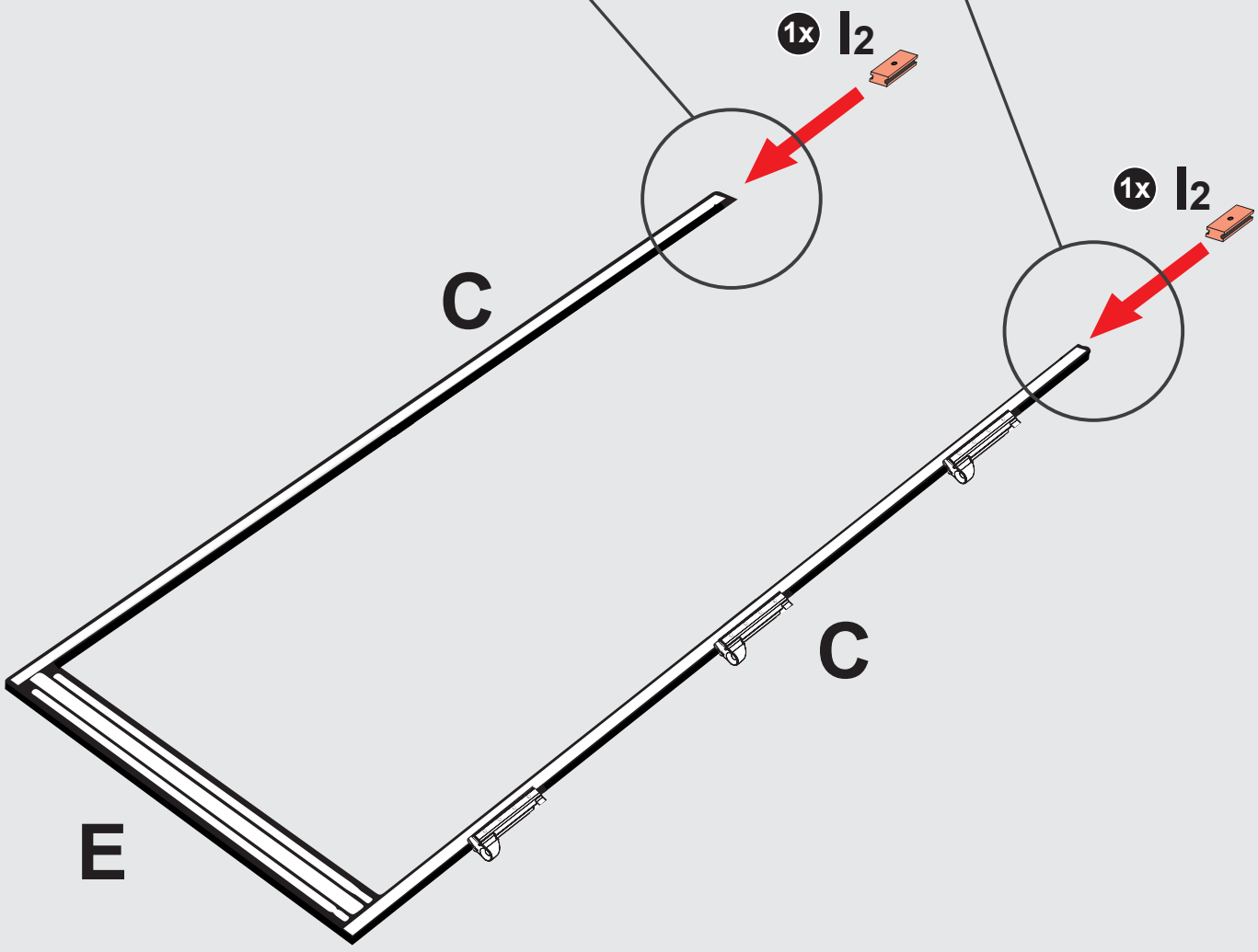
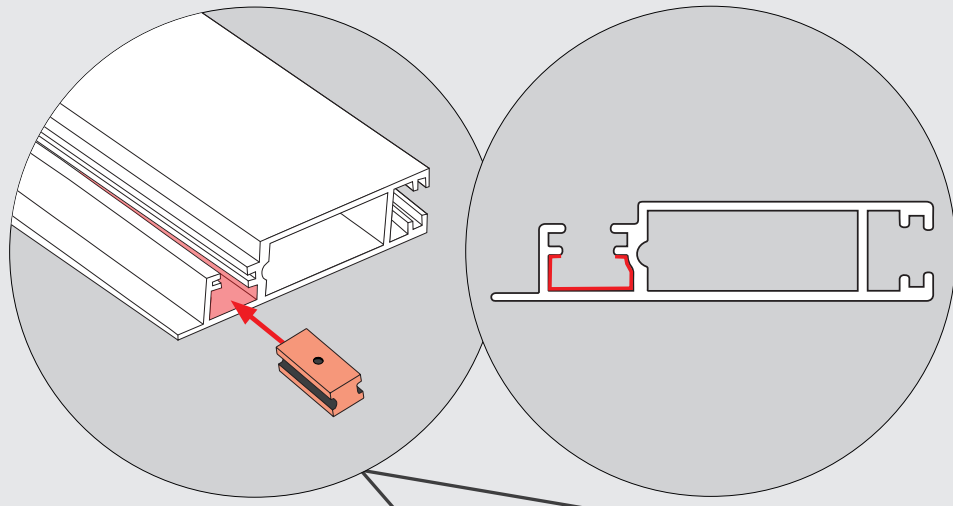
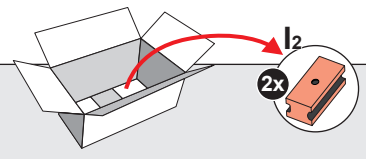


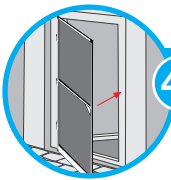


49 → 70

56

i

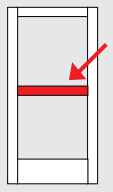
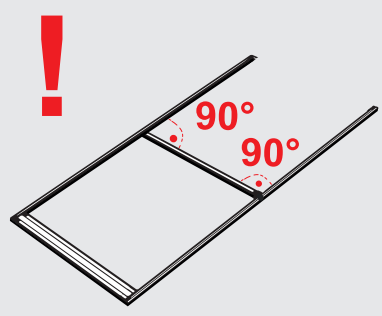
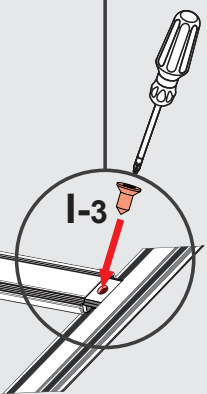
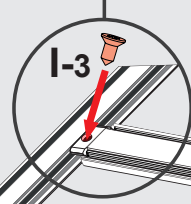
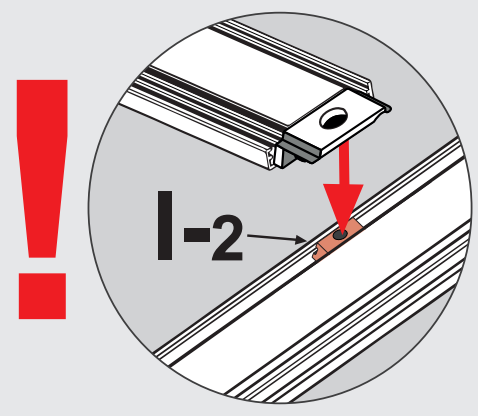
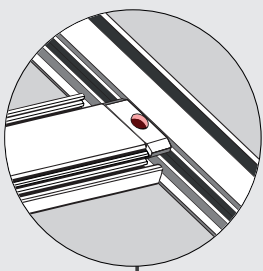
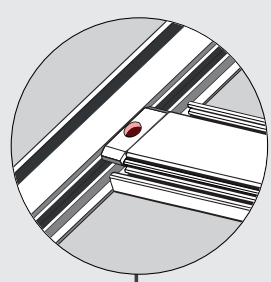
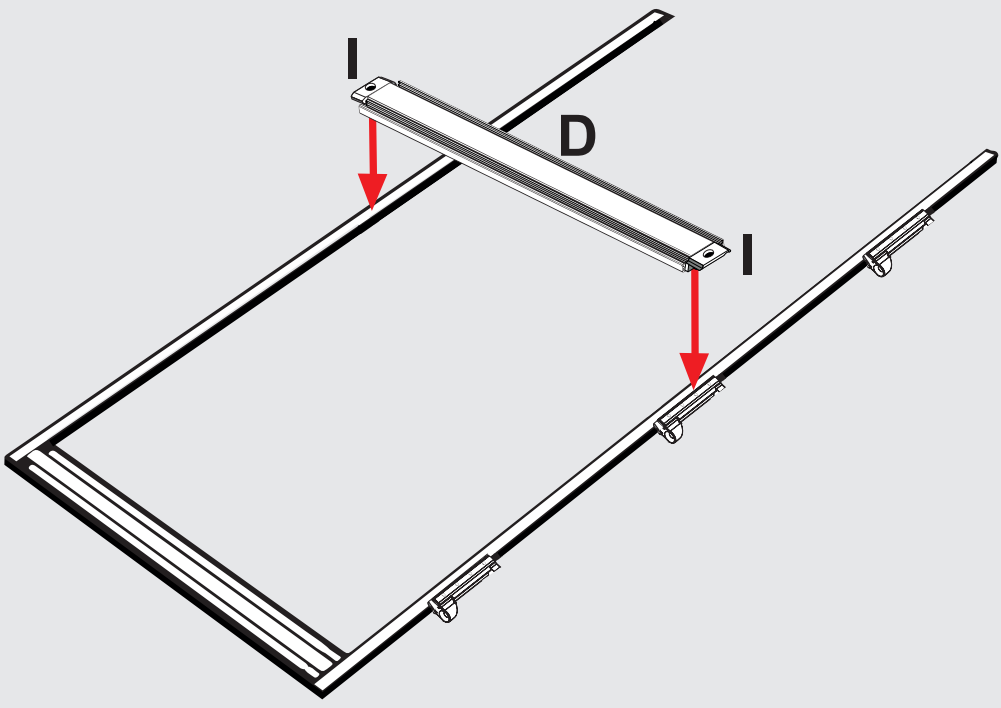
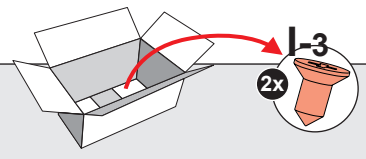


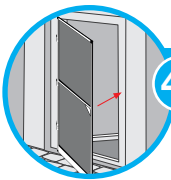


49 → 70

57

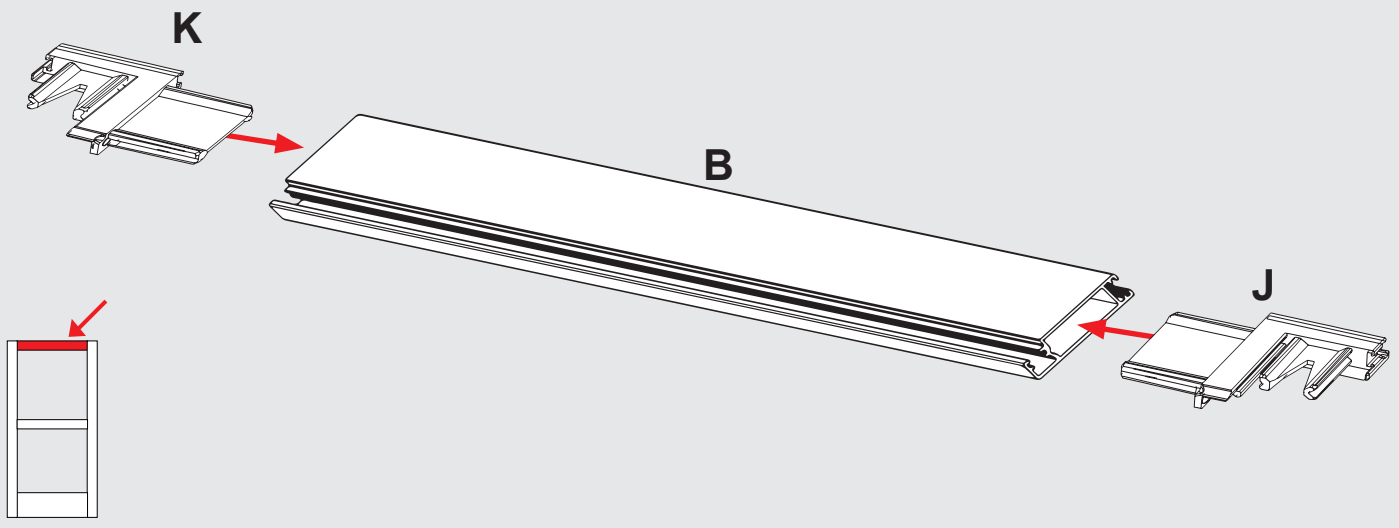
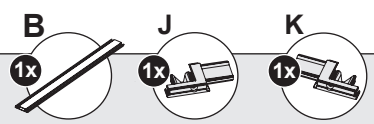
i



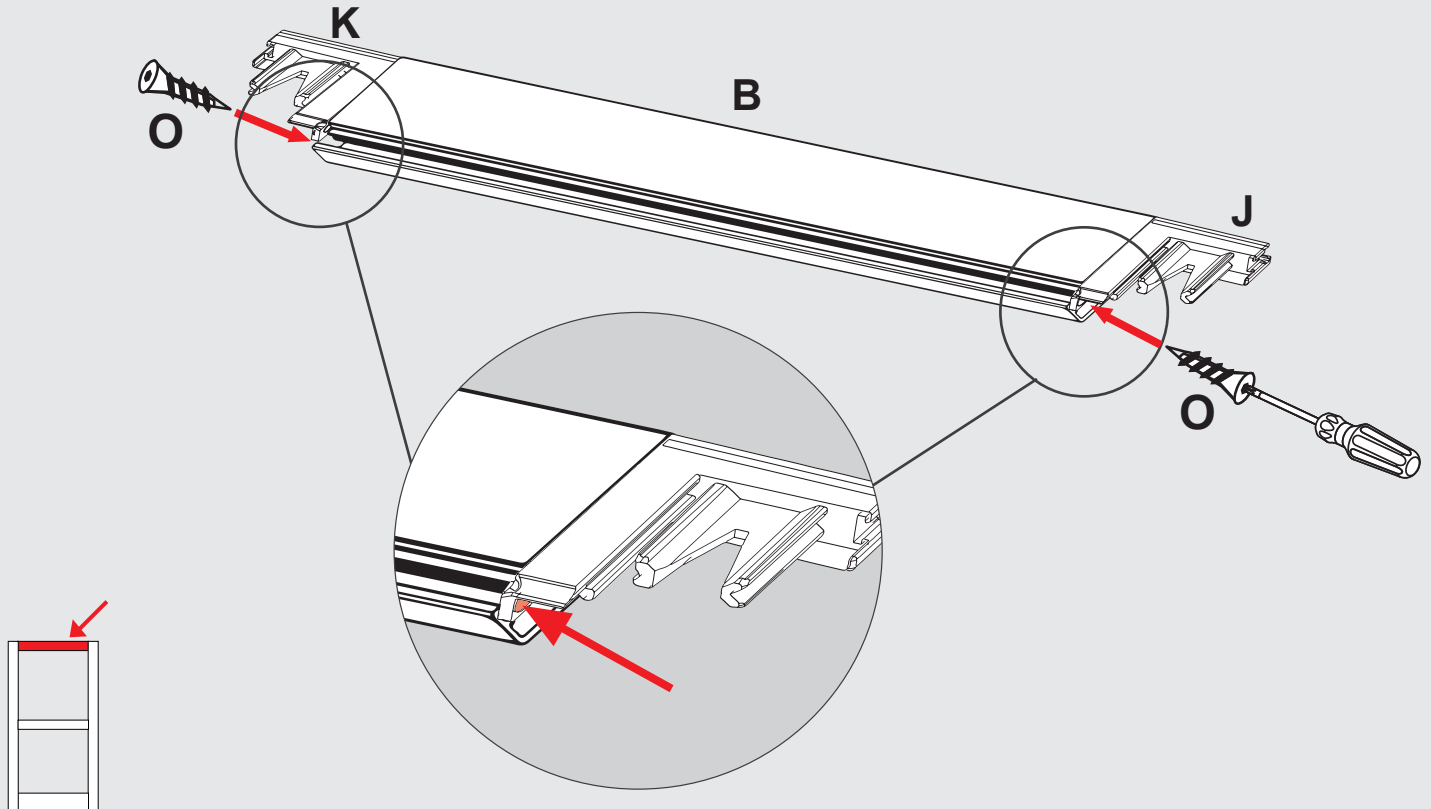
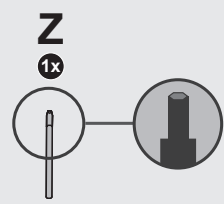


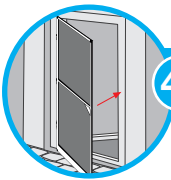
49 → 70

58



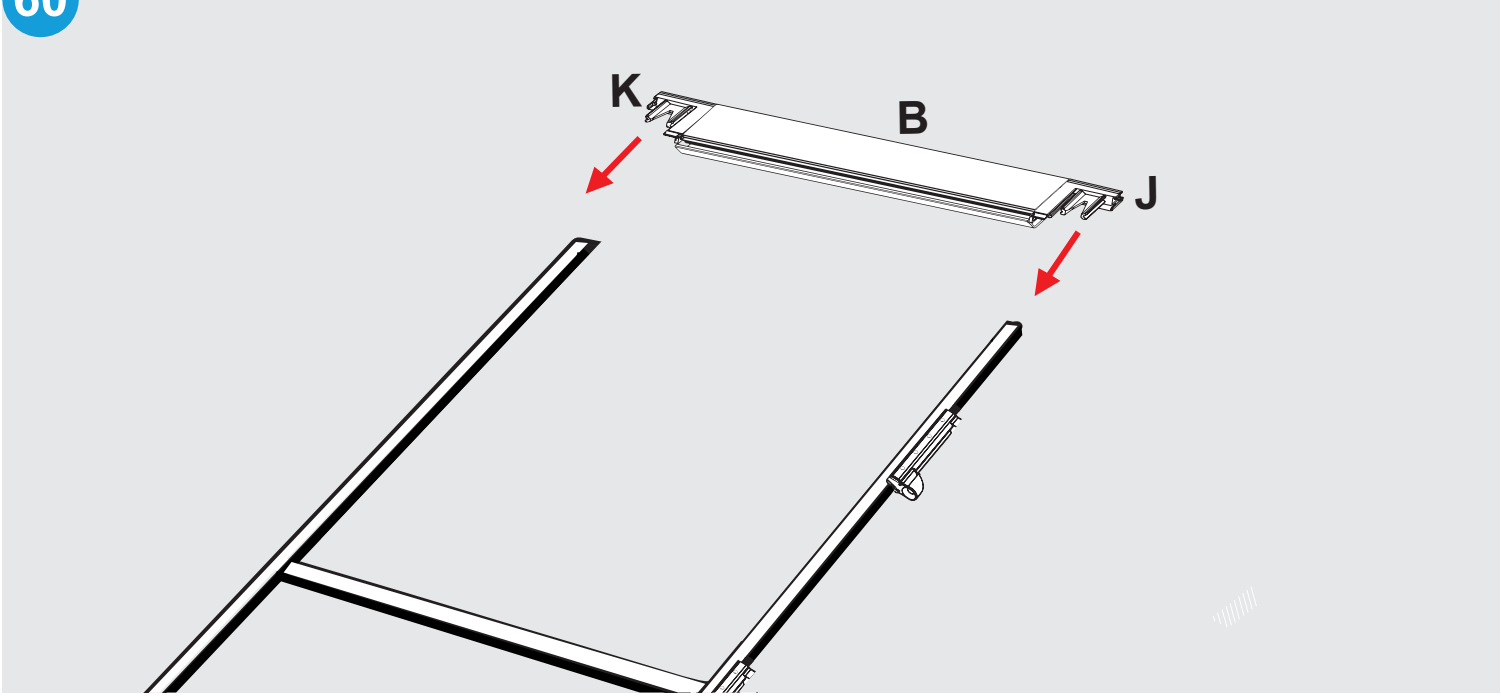
59



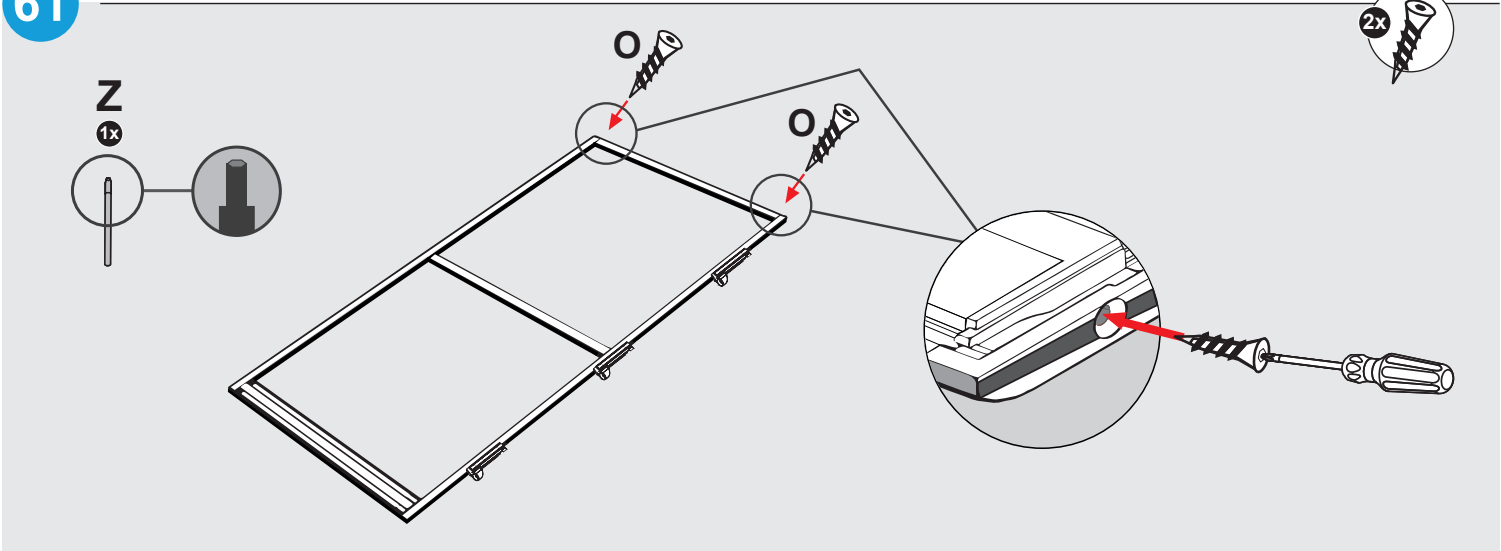


49 → 70

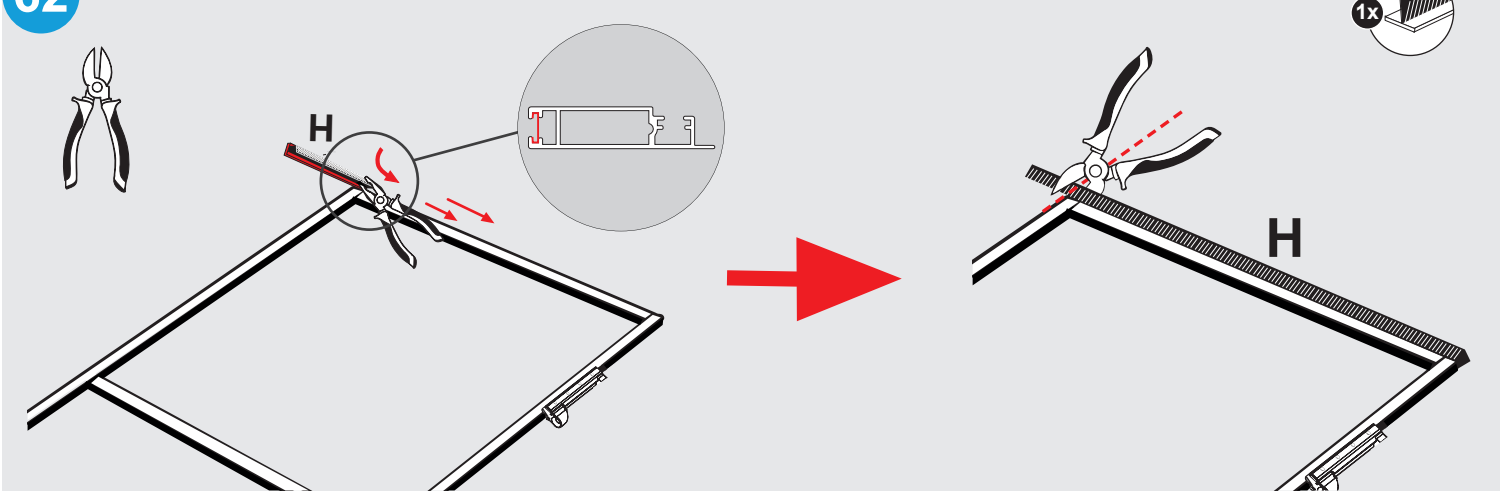
60

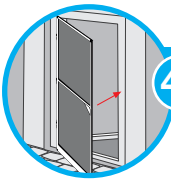


61



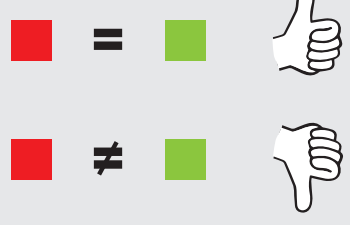
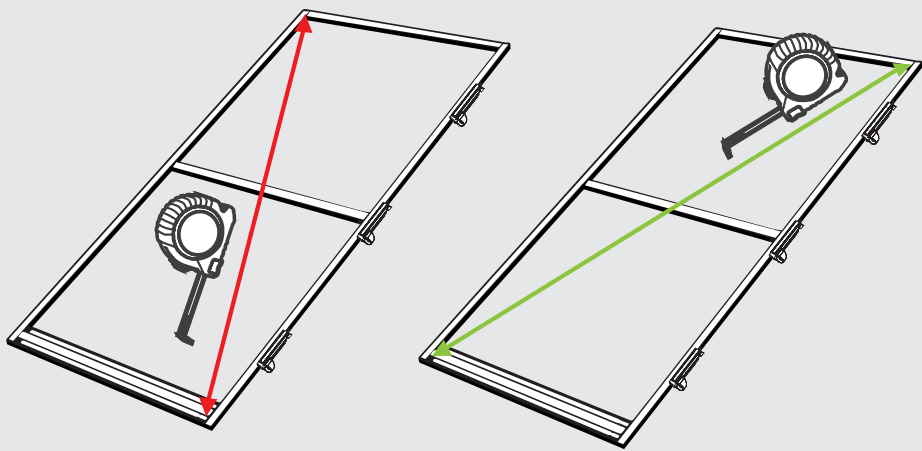
62



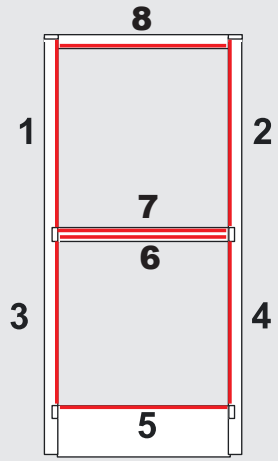
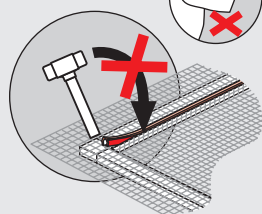
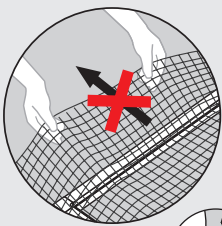
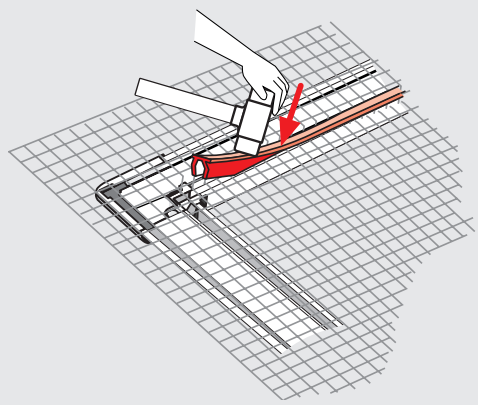
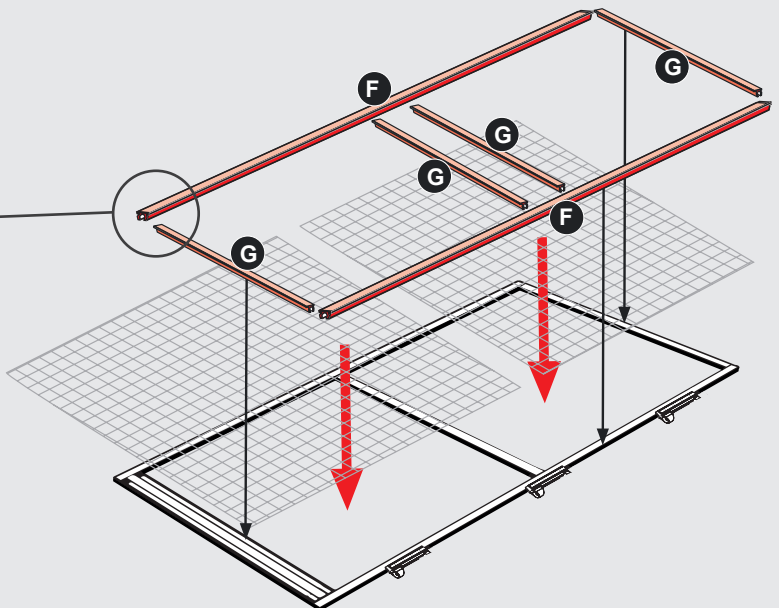
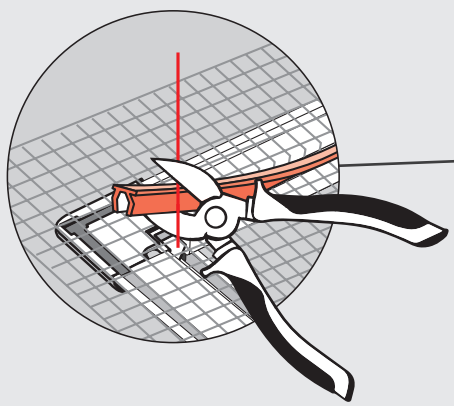
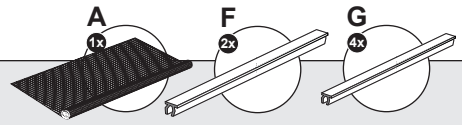
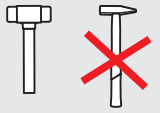


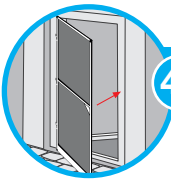
49 → 70

63



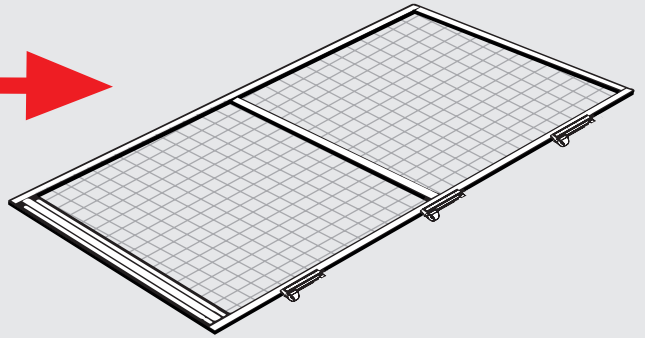
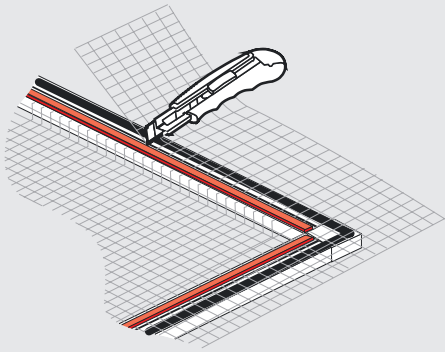
64



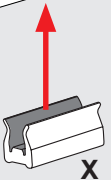
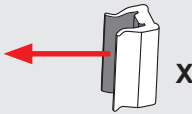
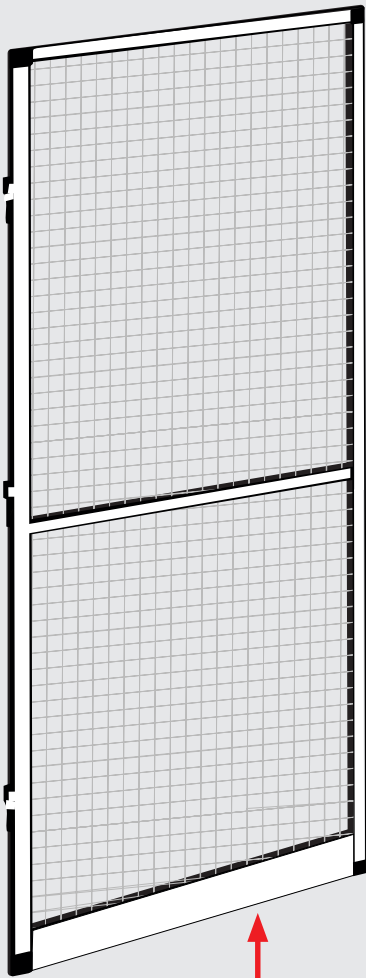


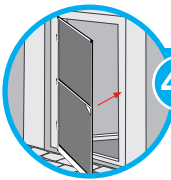
49 → 70

65



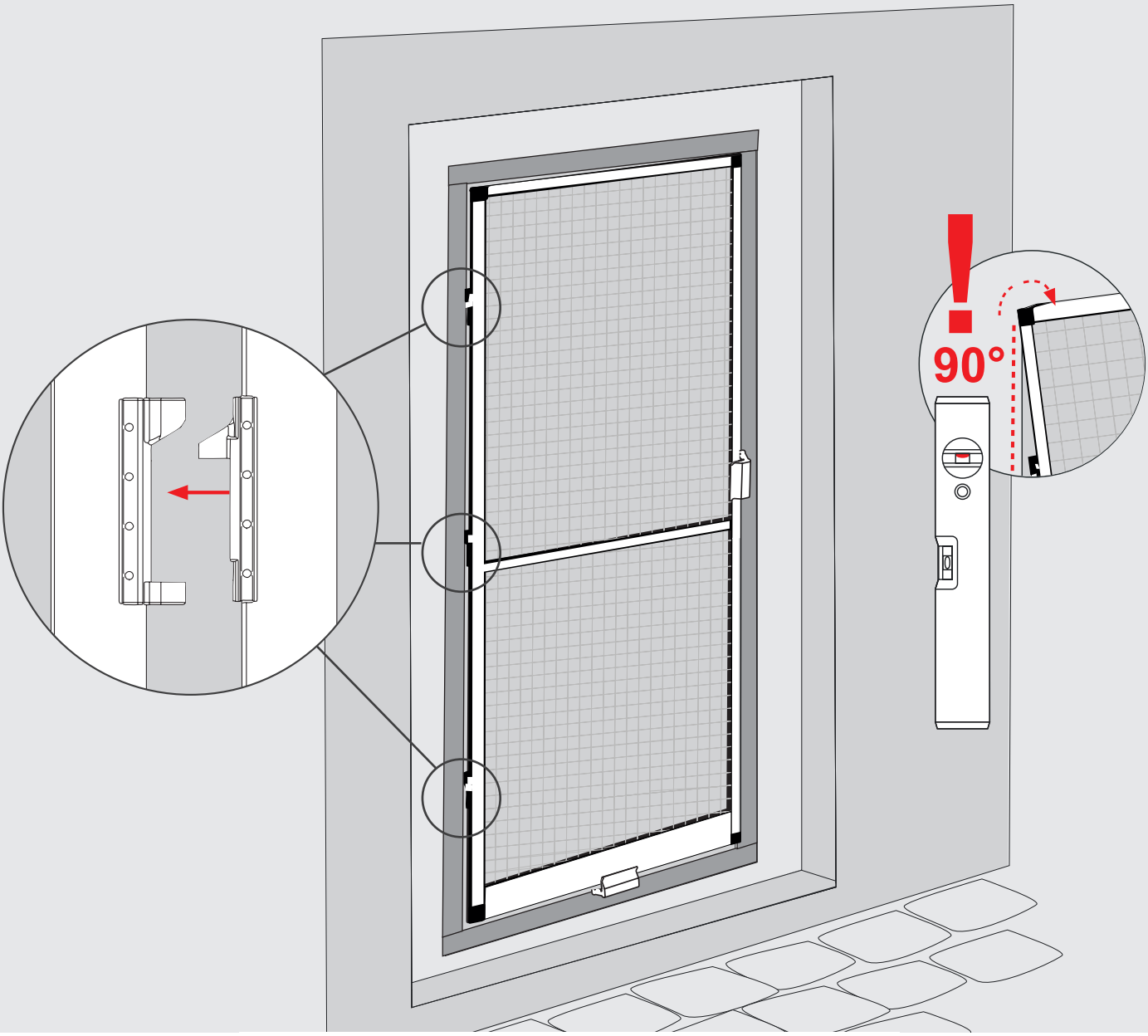
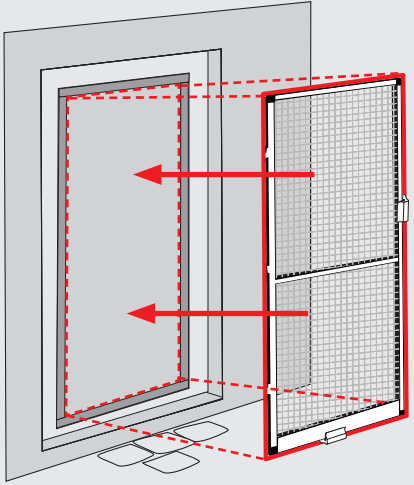
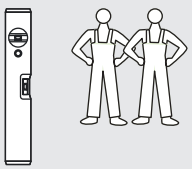
66

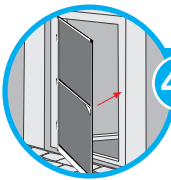




47 → 70

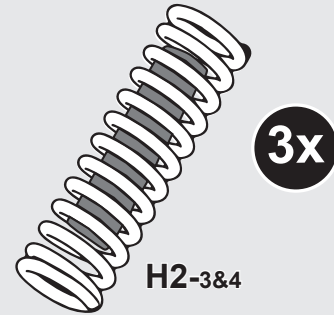
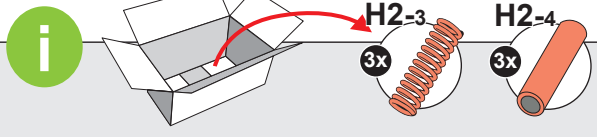
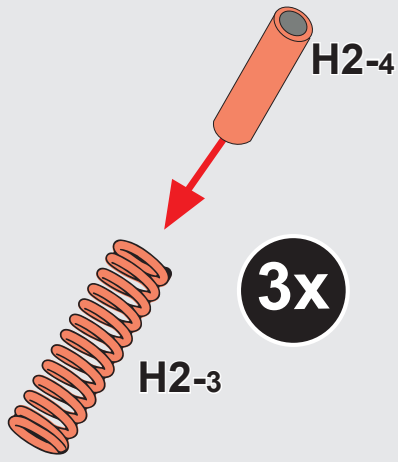
67



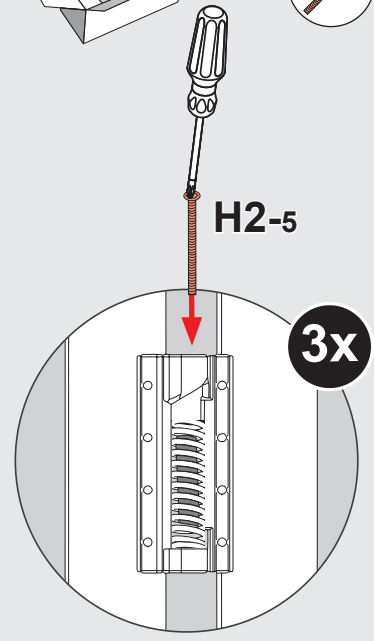
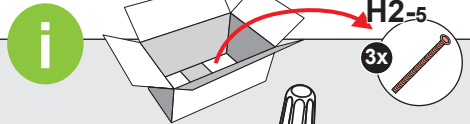
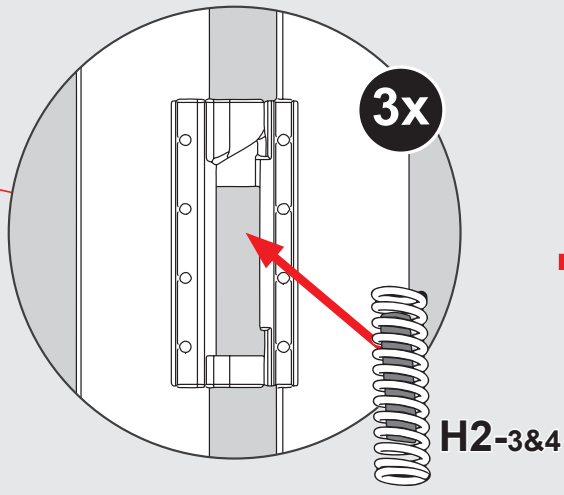
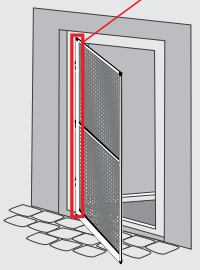
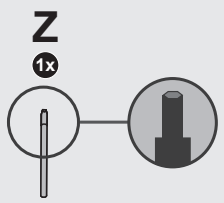


49 → 70

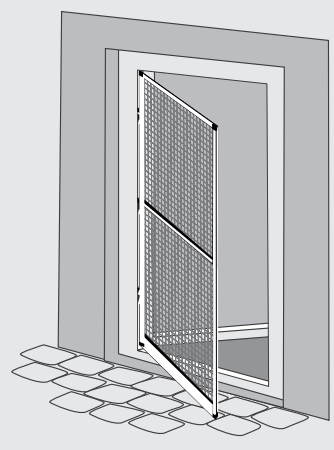
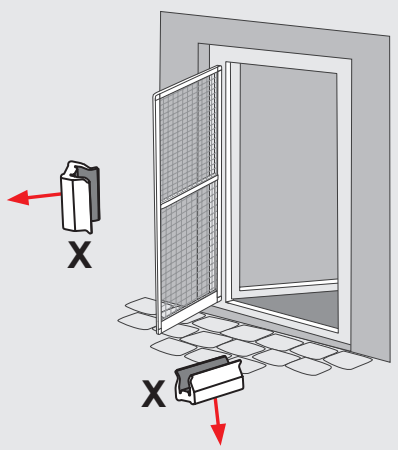
68



69



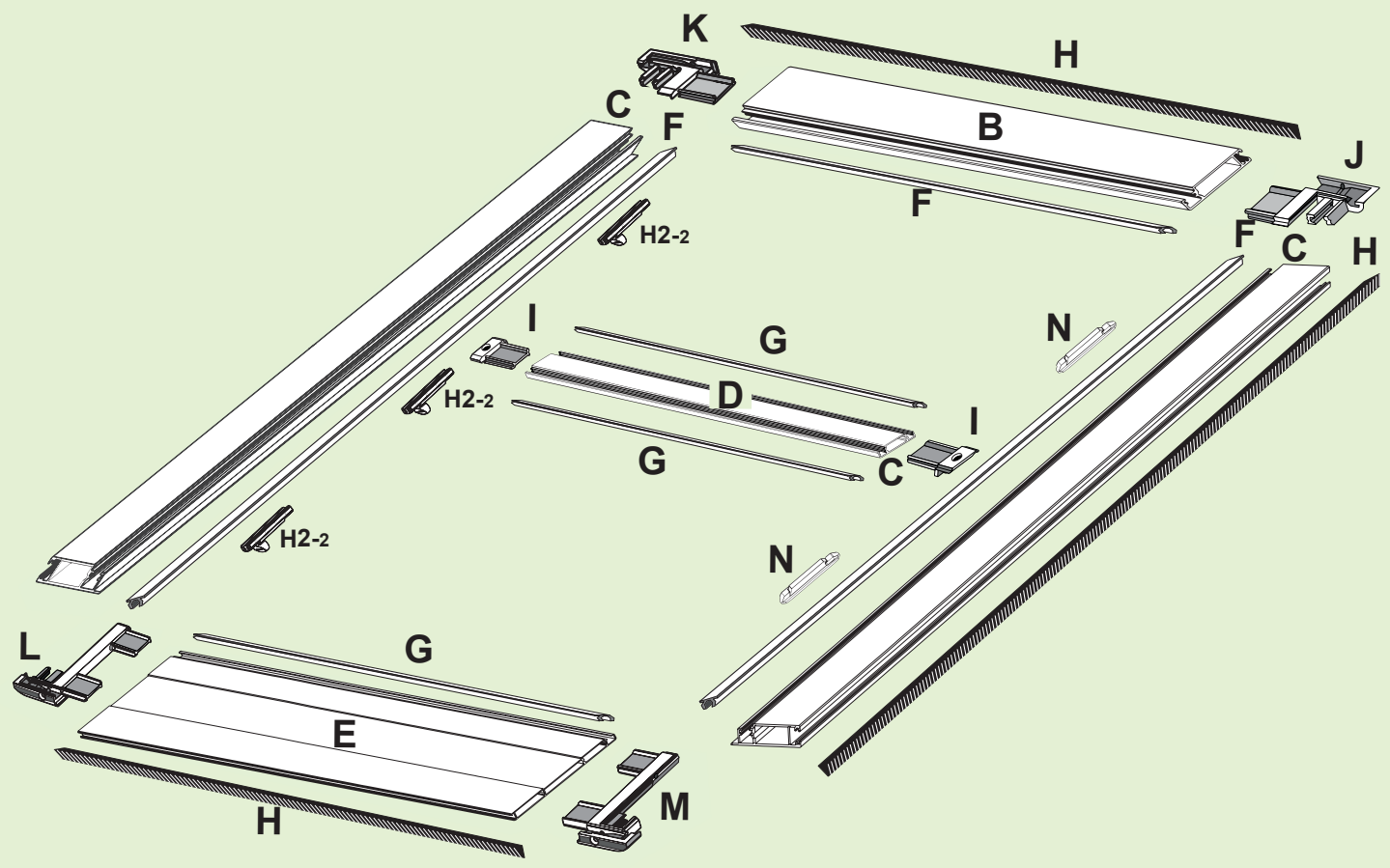
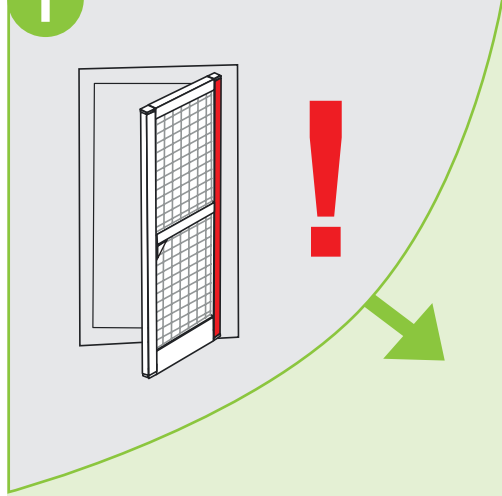
70





71 → 92

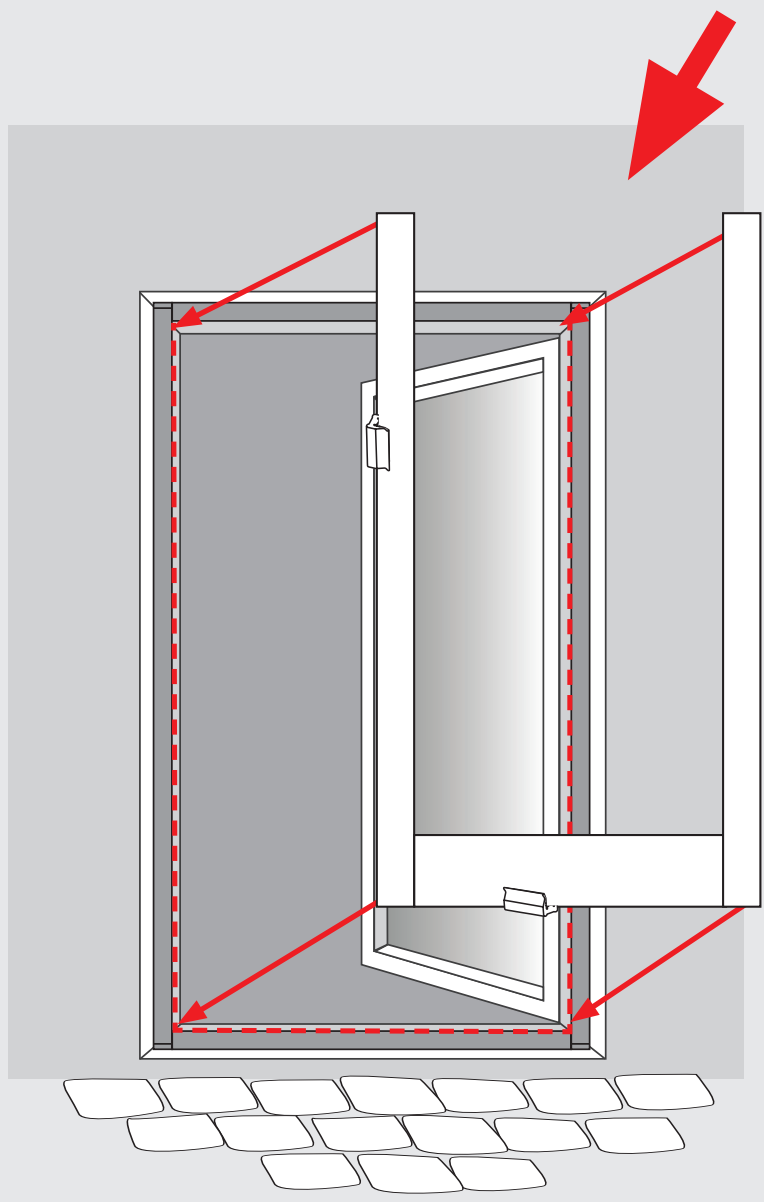
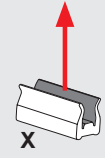
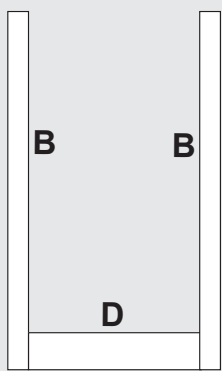
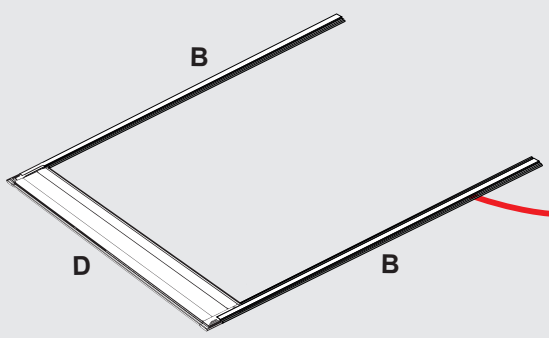
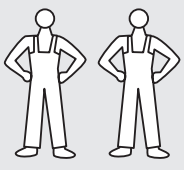
i

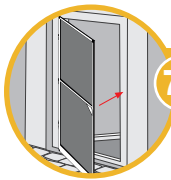




71 → 92

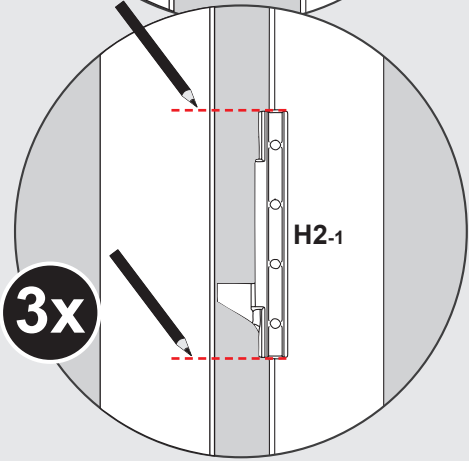
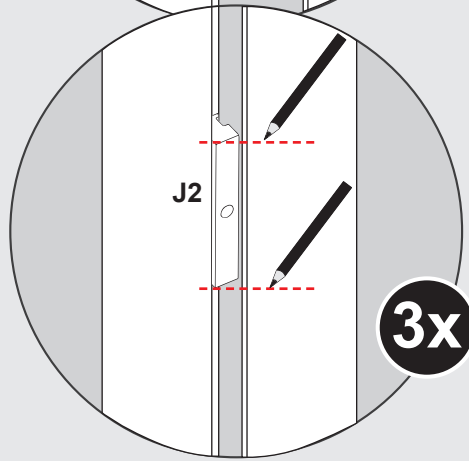
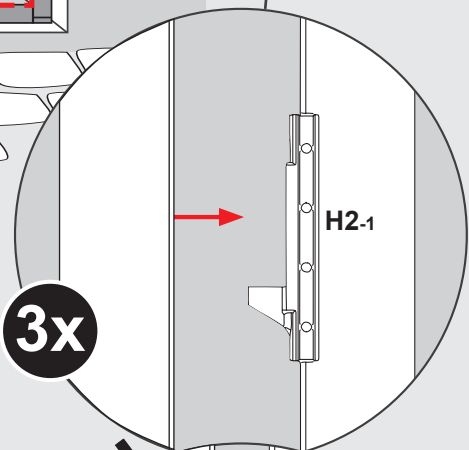
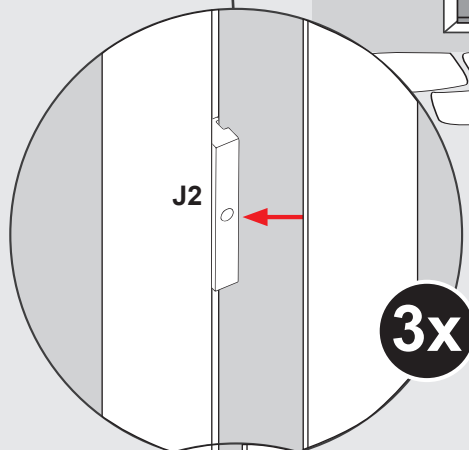
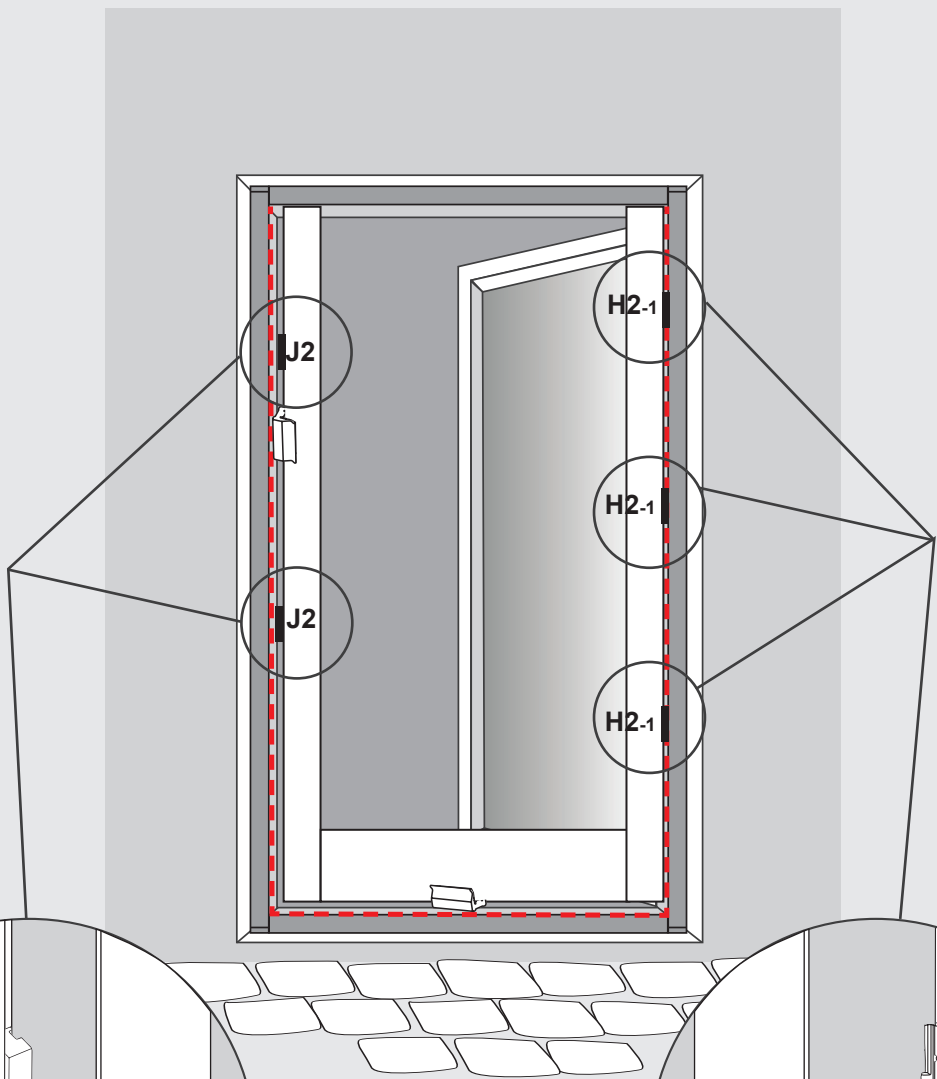
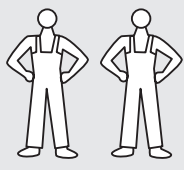
71

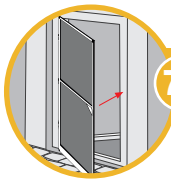




71 → 92

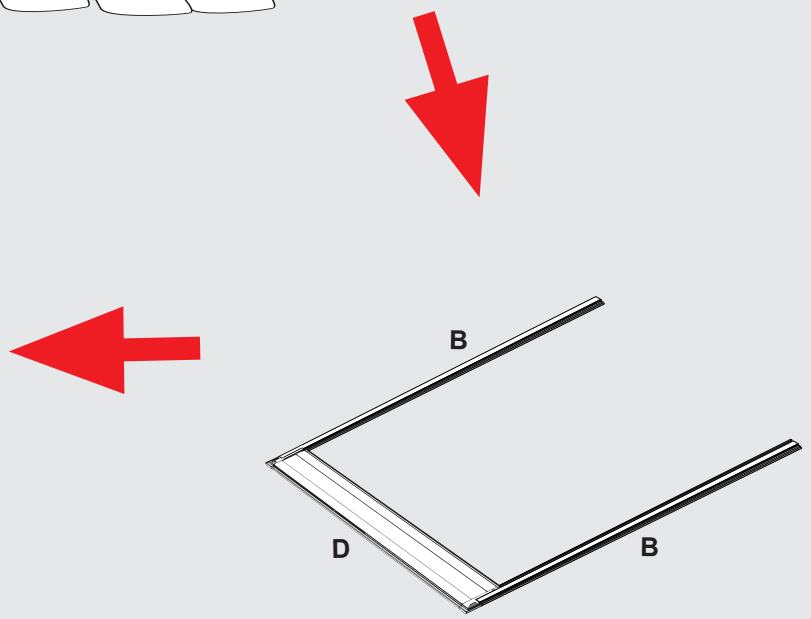
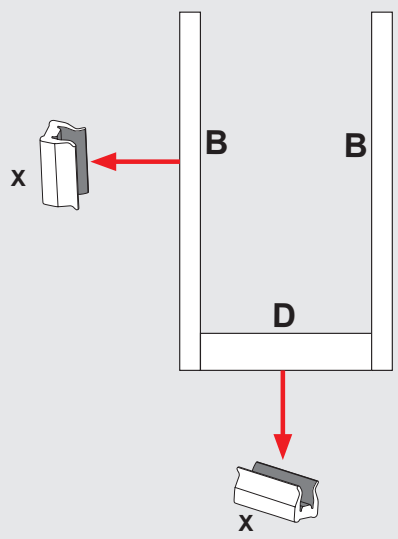
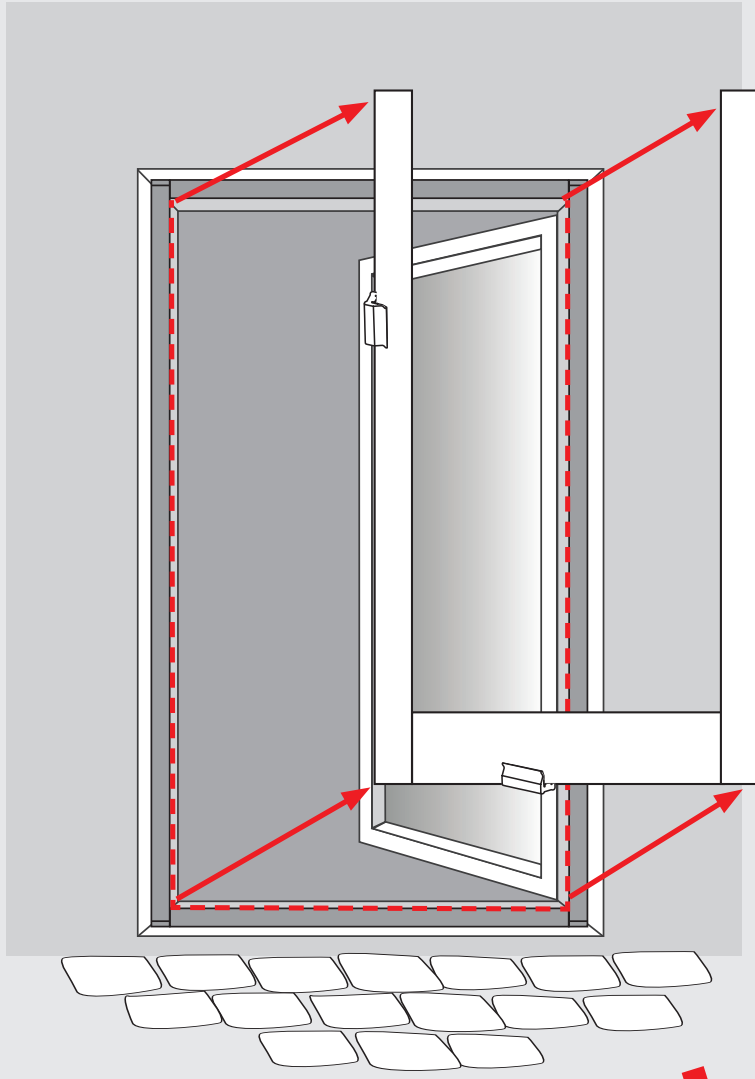
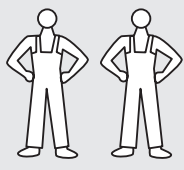
72





71 → 92

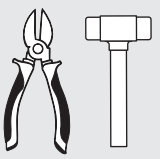
73



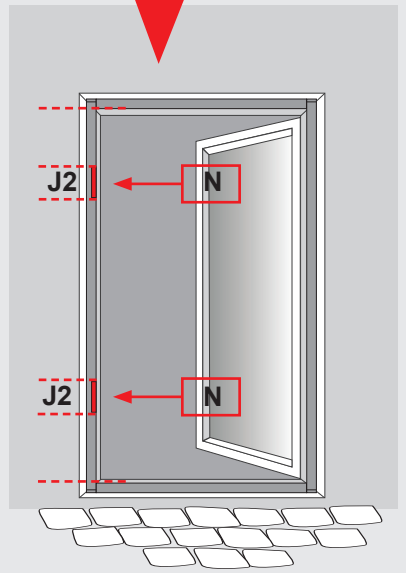
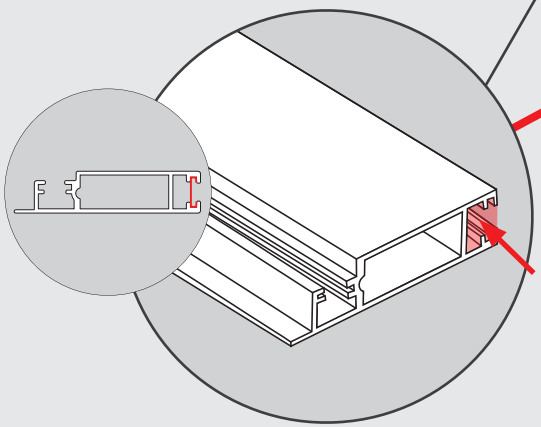
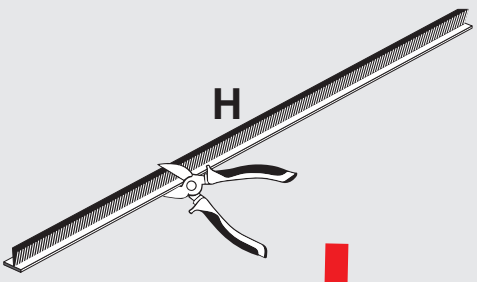
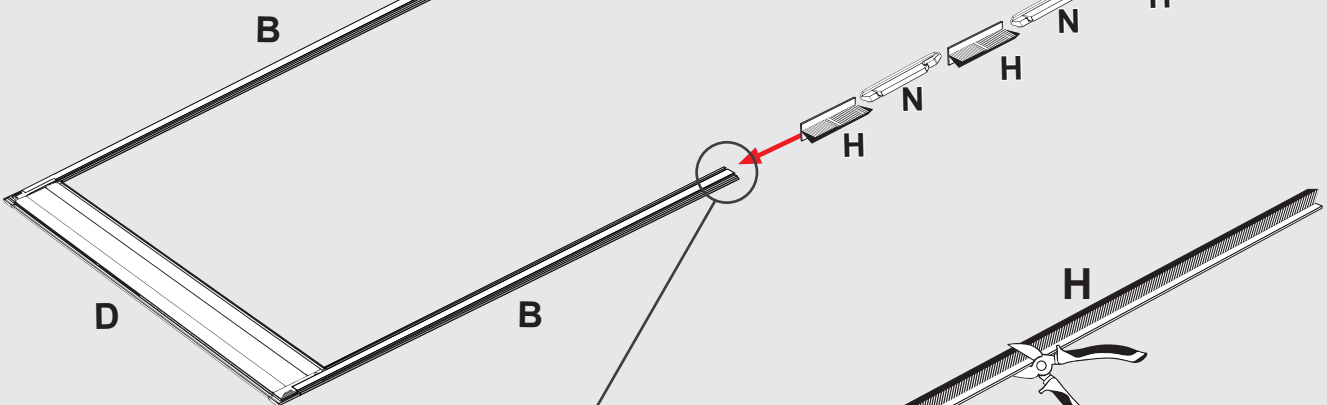
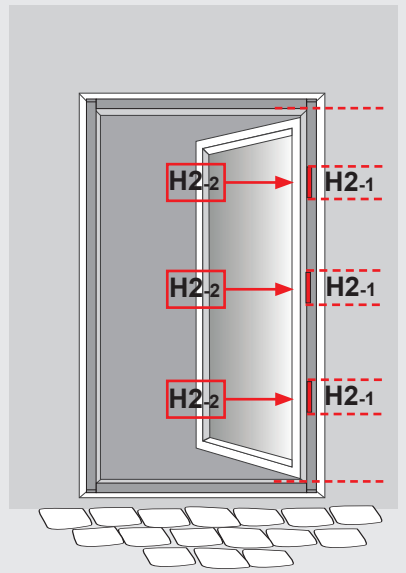
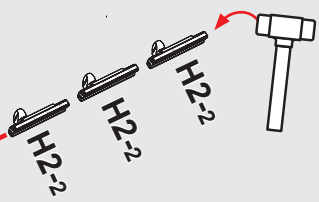
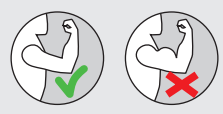
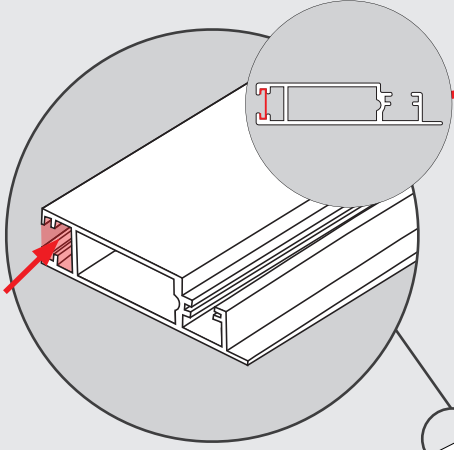


71 → 92

74



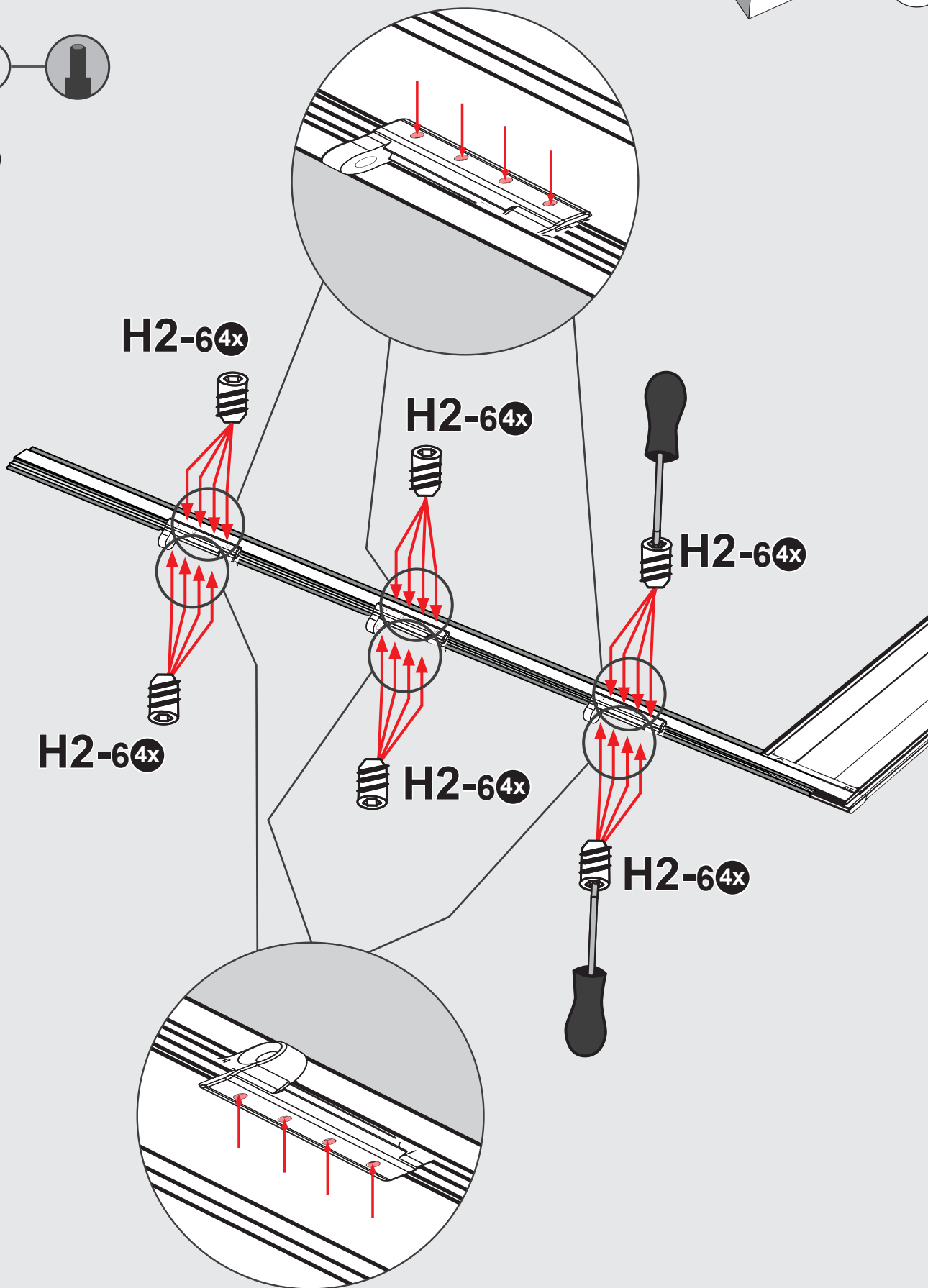
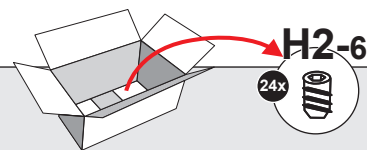
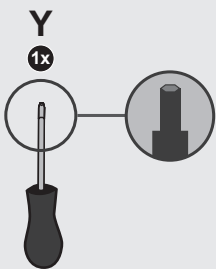
H2-2 (3x) H (1x) N (2x)





71 → 92

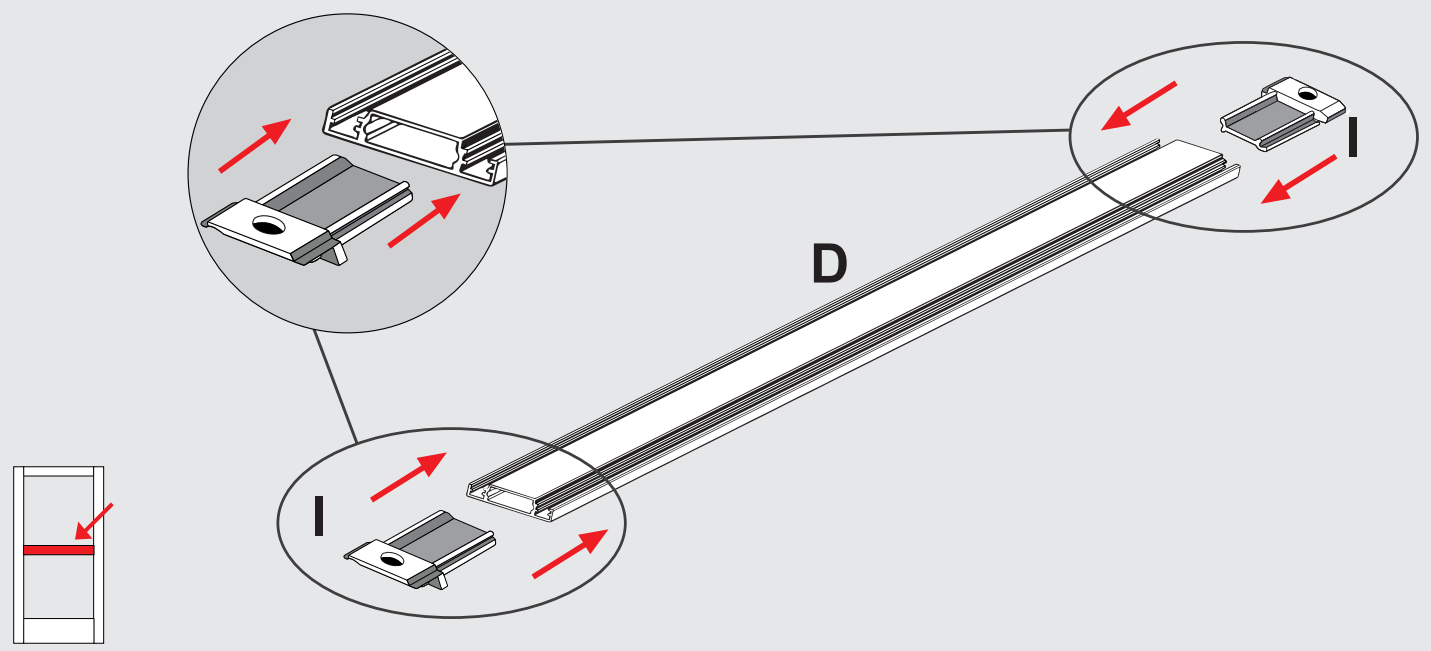
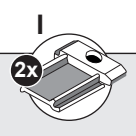
75



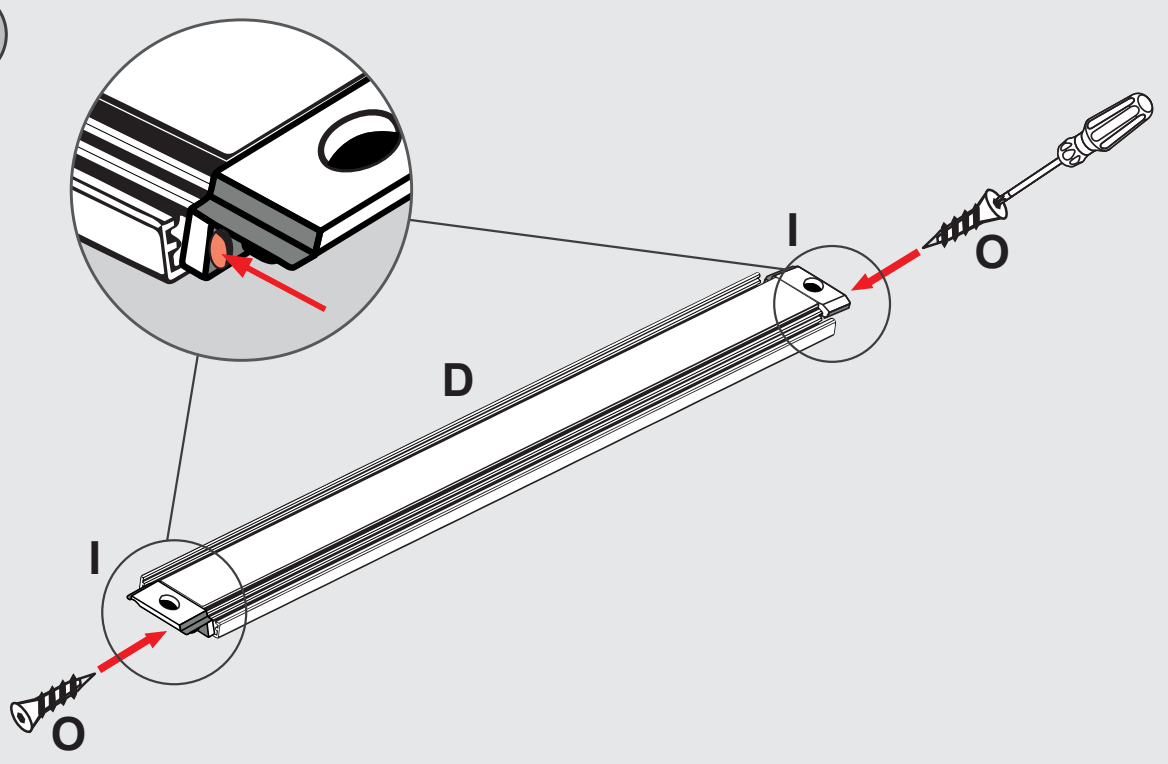
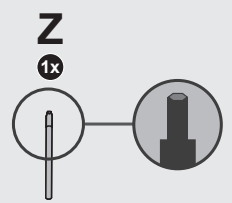


71 → 92

76



77

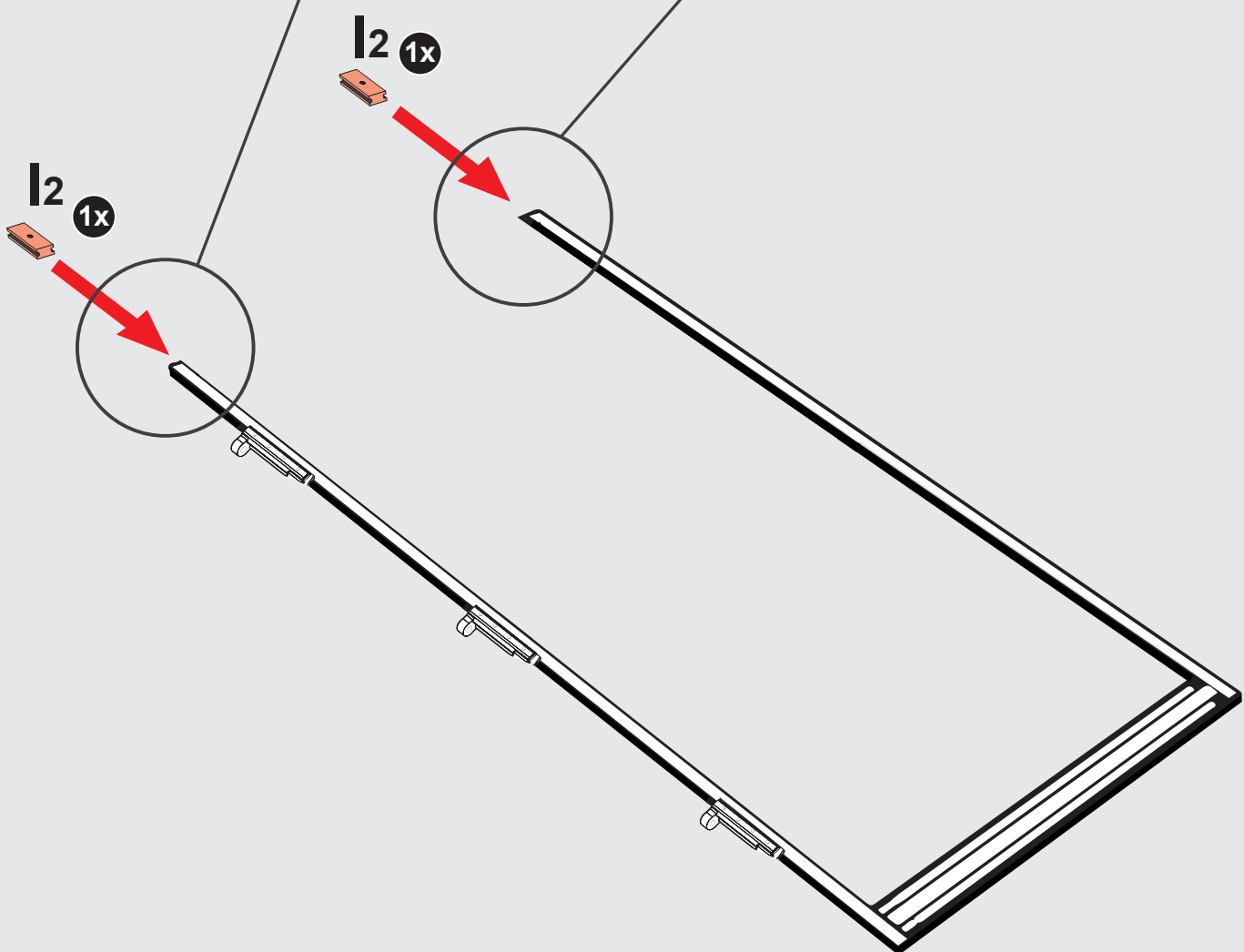
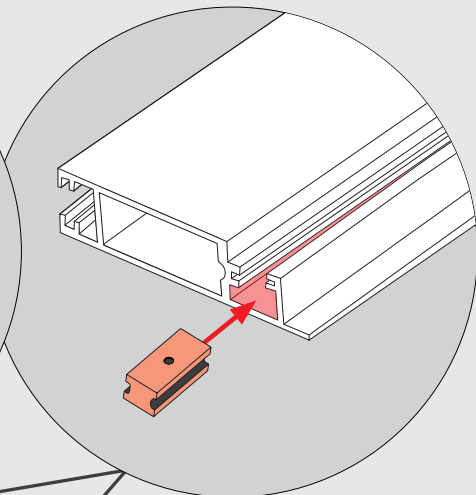
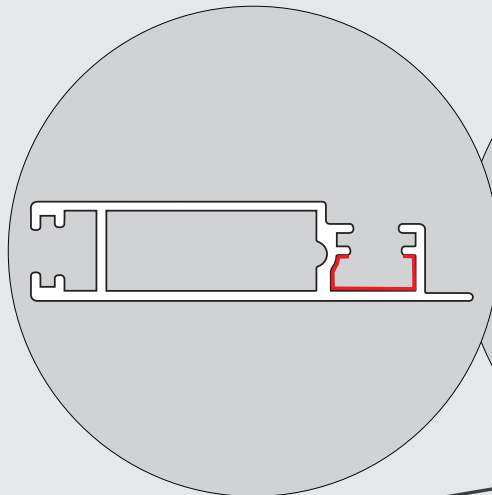
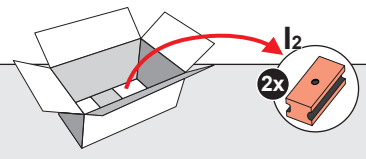




71 → 92

78

i



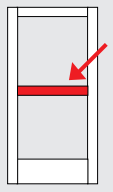
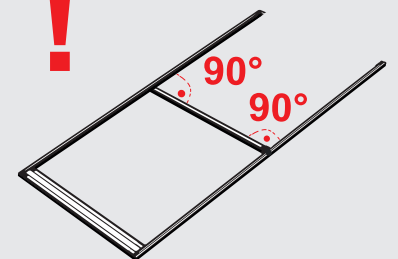
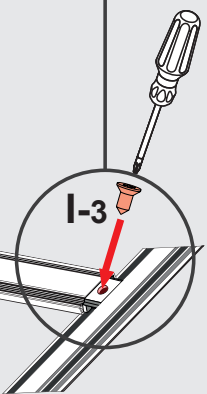
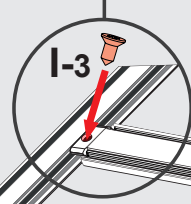
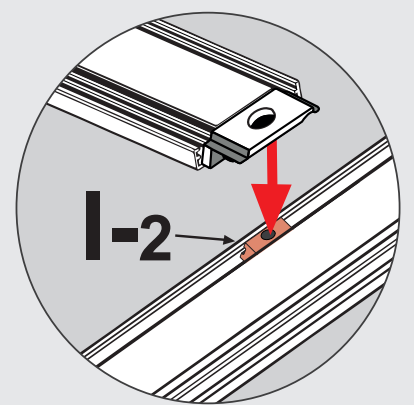
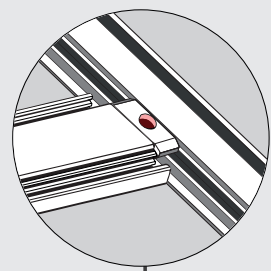
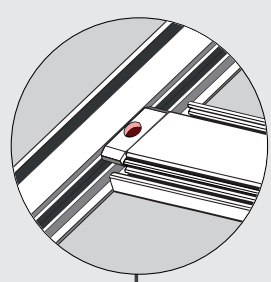
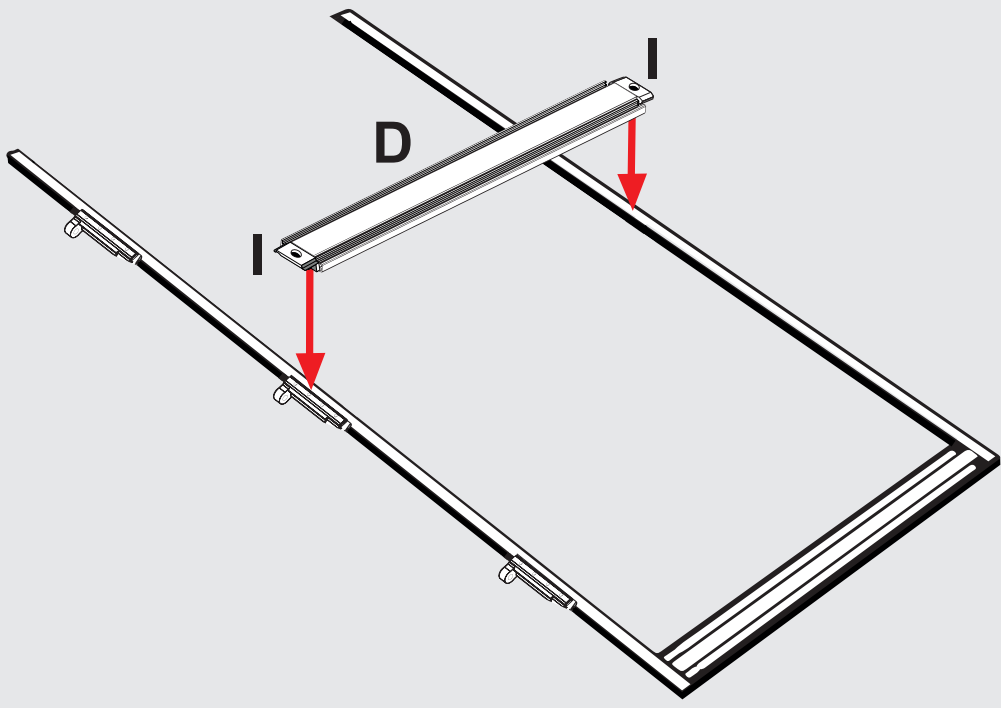
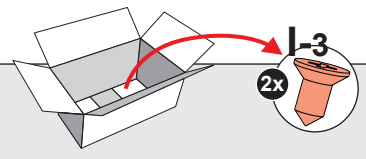


71 → 92

79



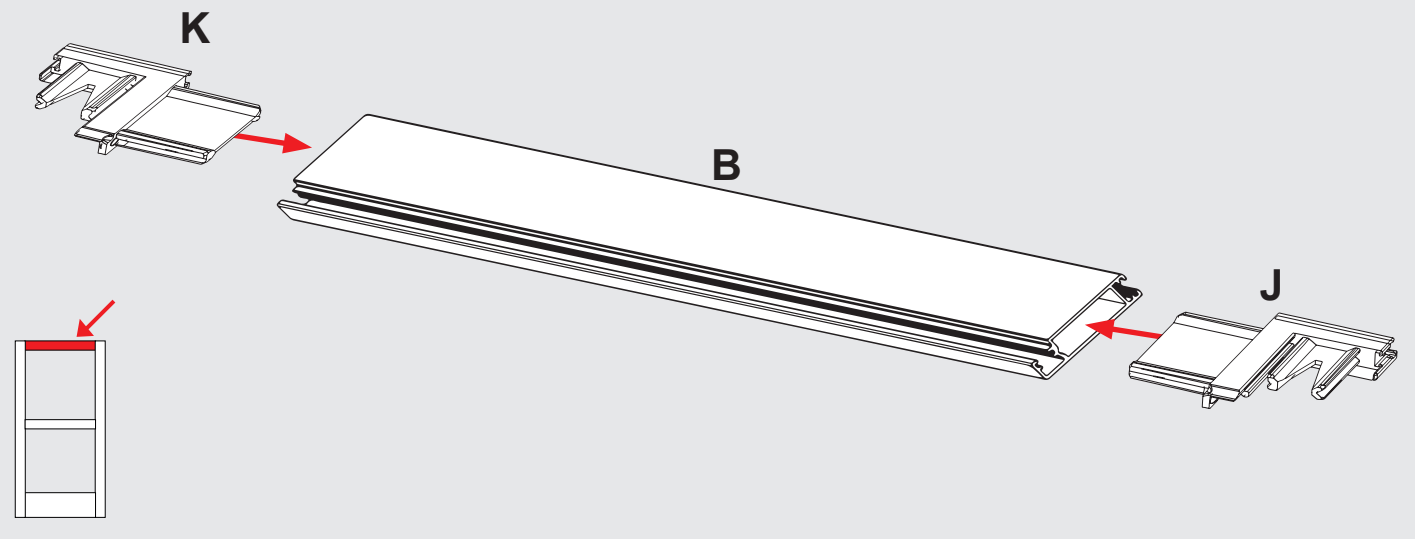
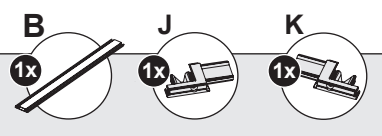
i



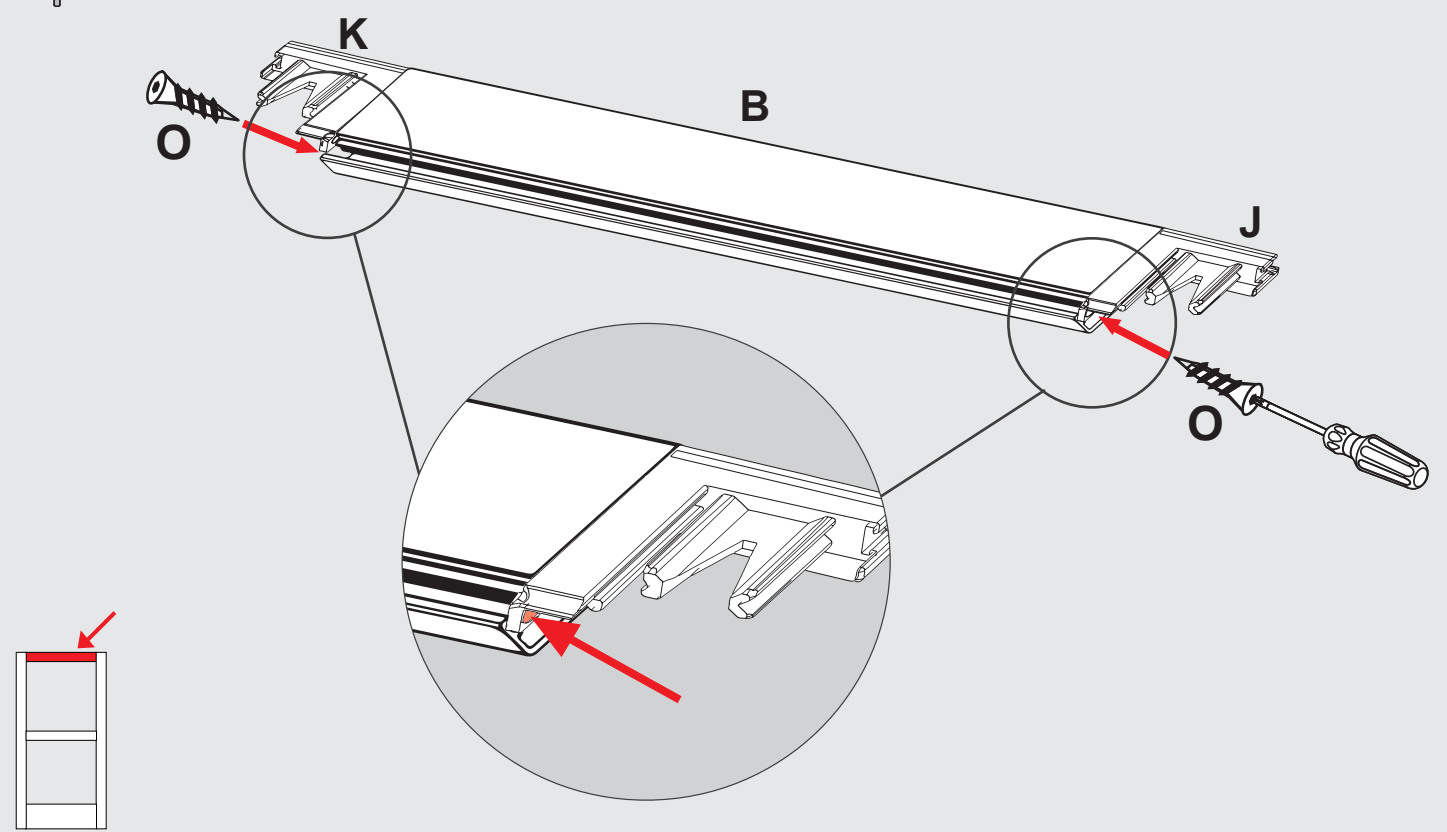
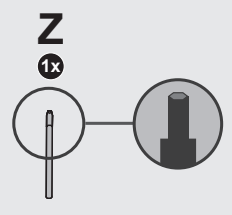


71 → 92

80



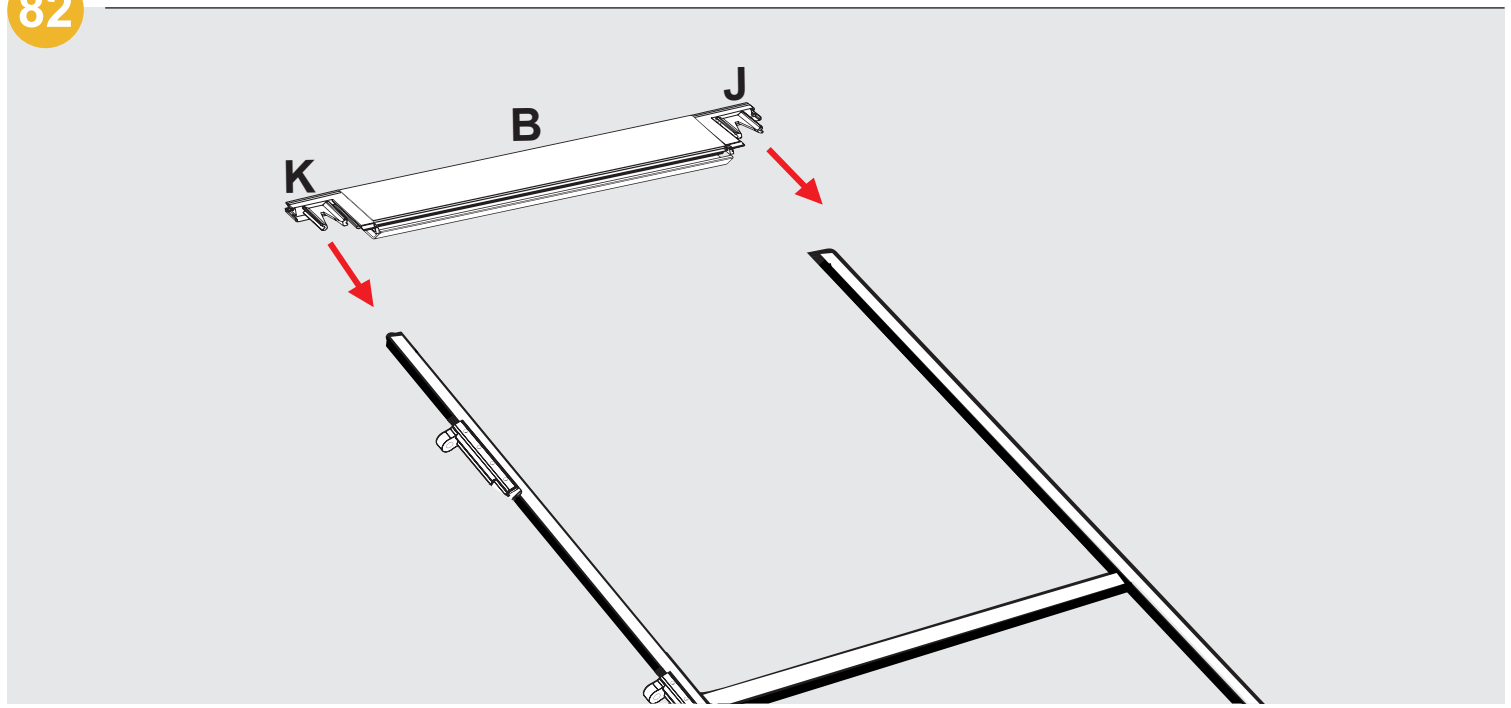
81



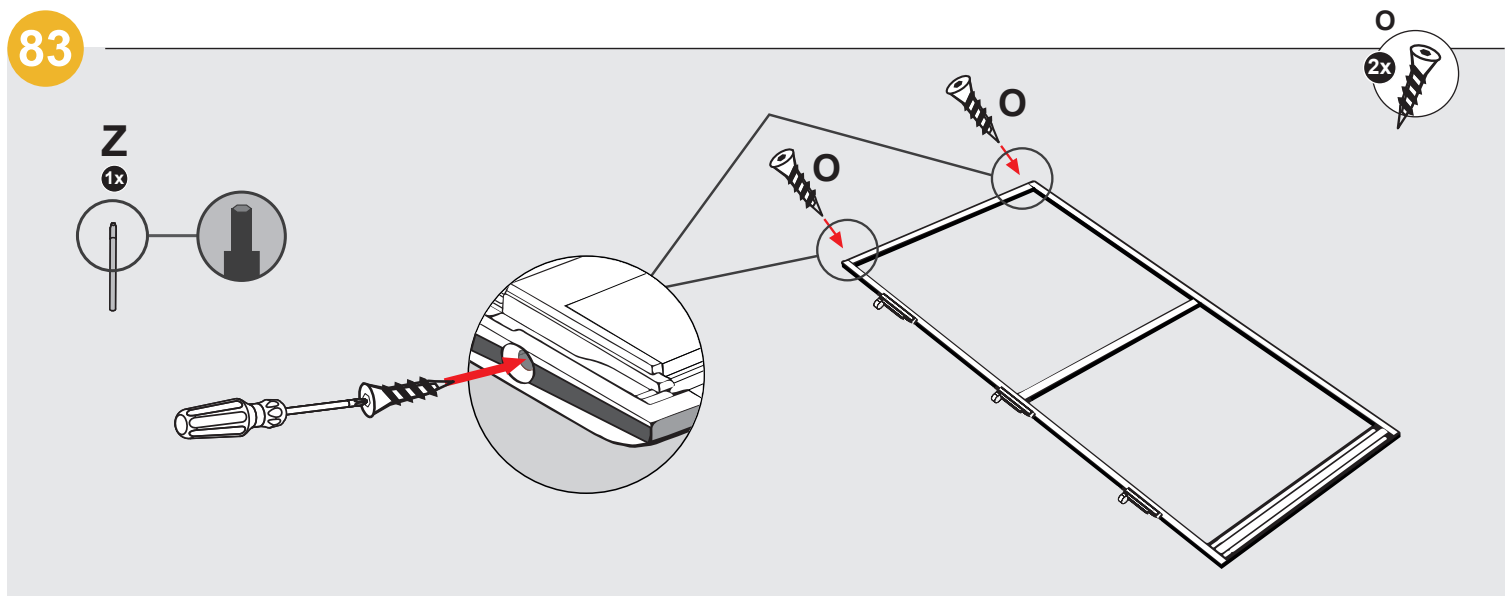


71 → 92

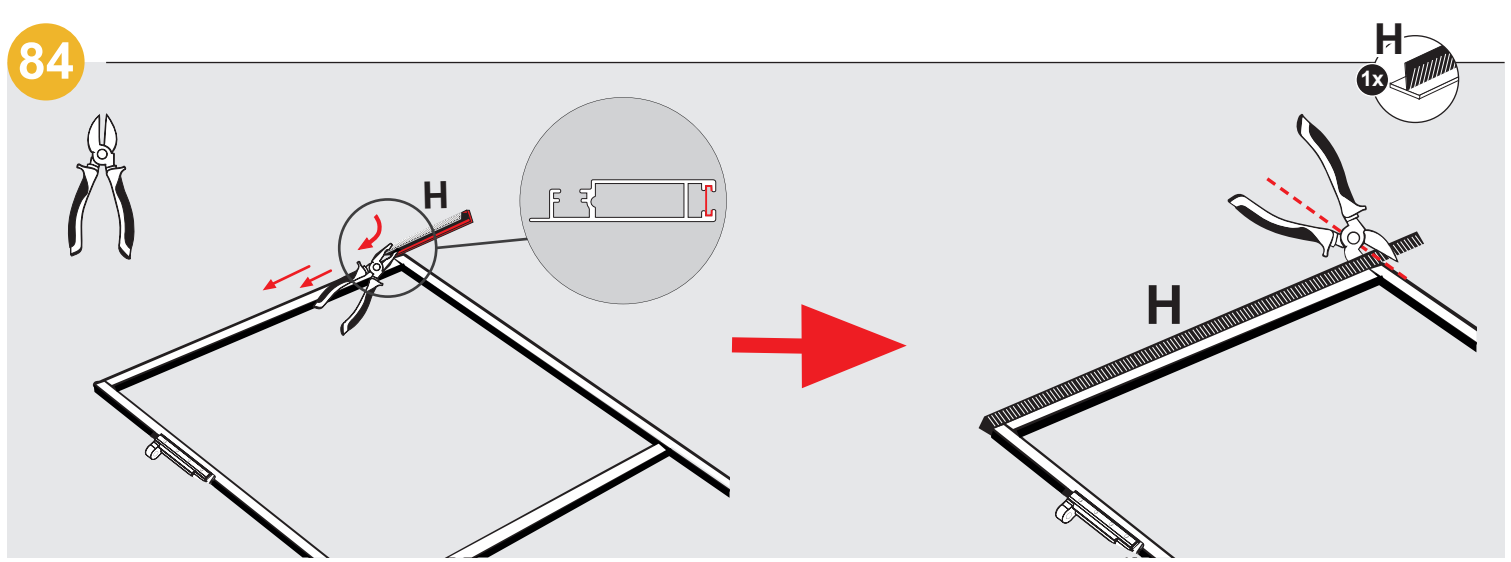
82



83



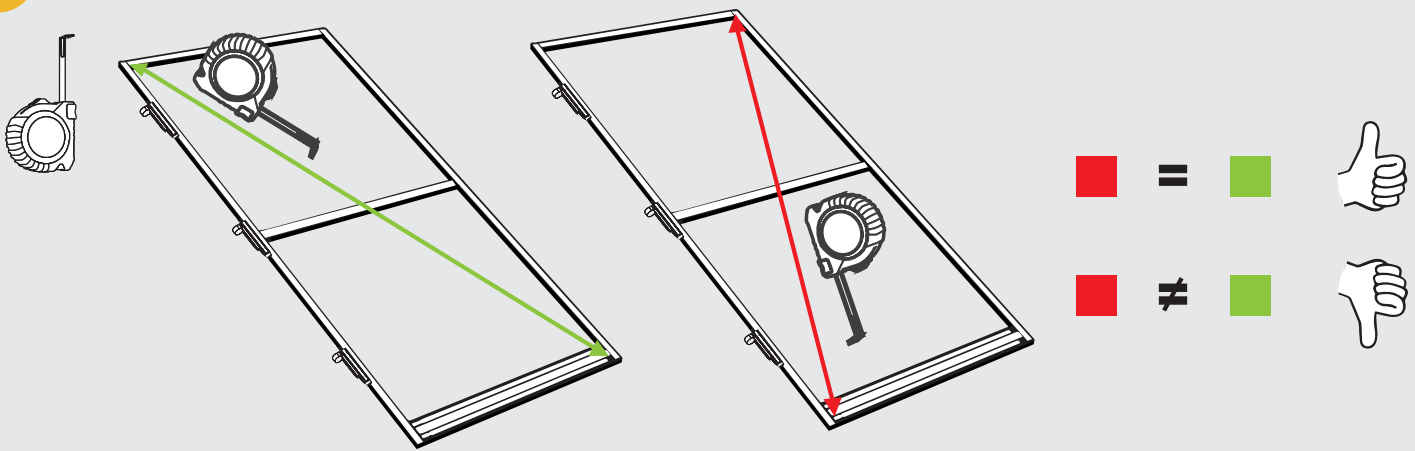
84



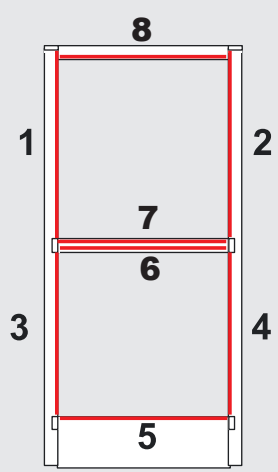
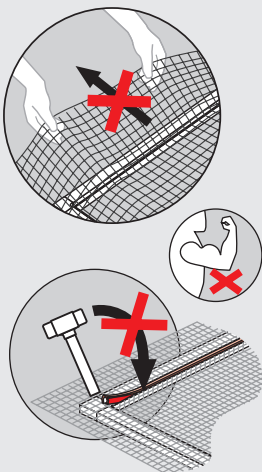
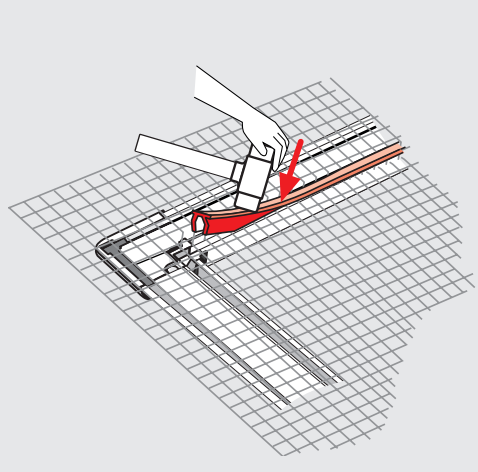
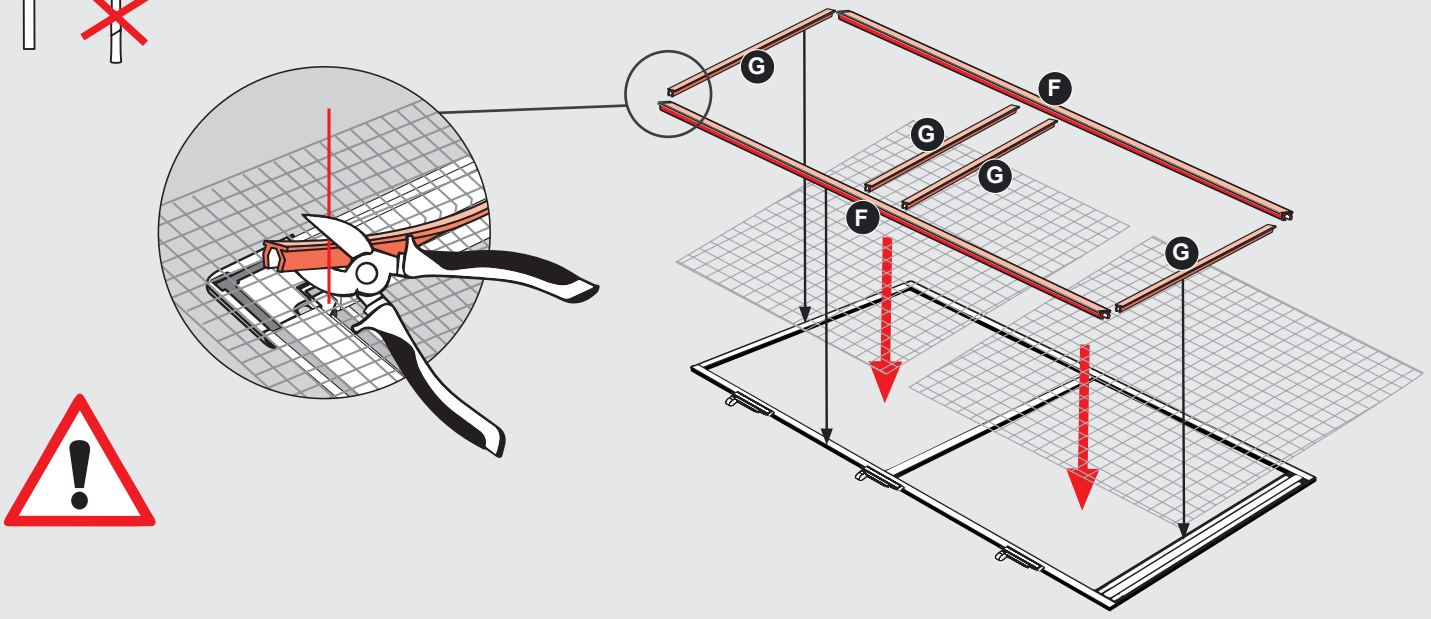
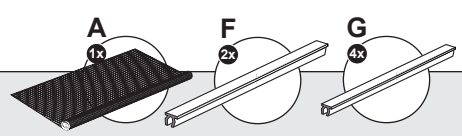
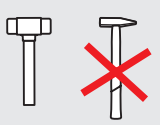


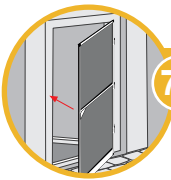
71 → 92

85



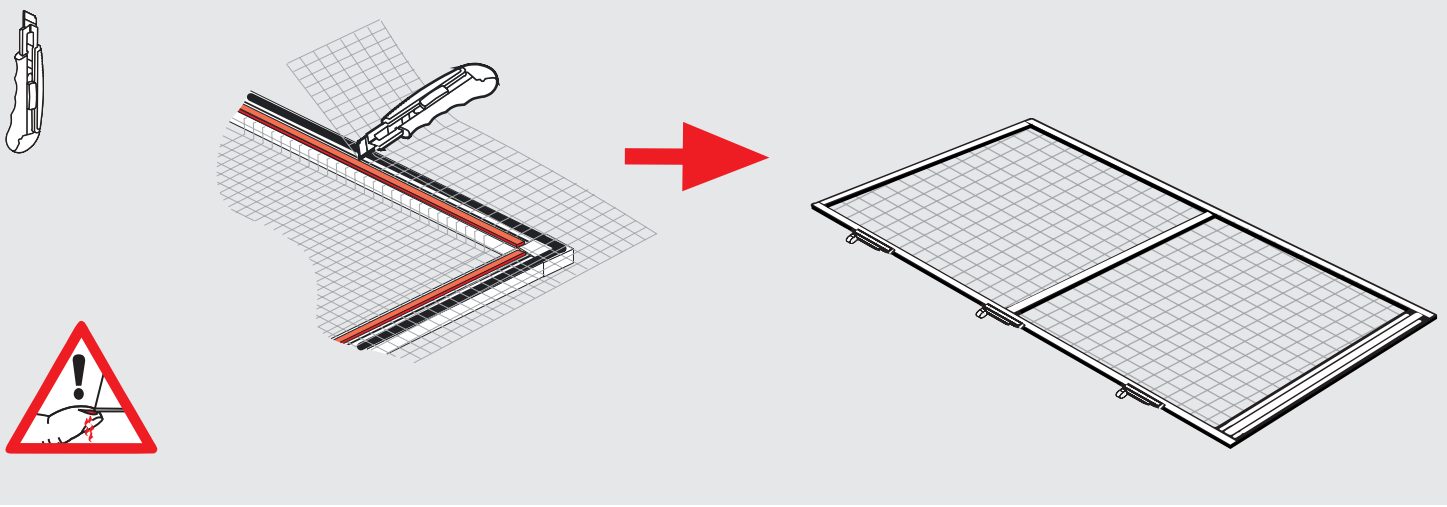
86





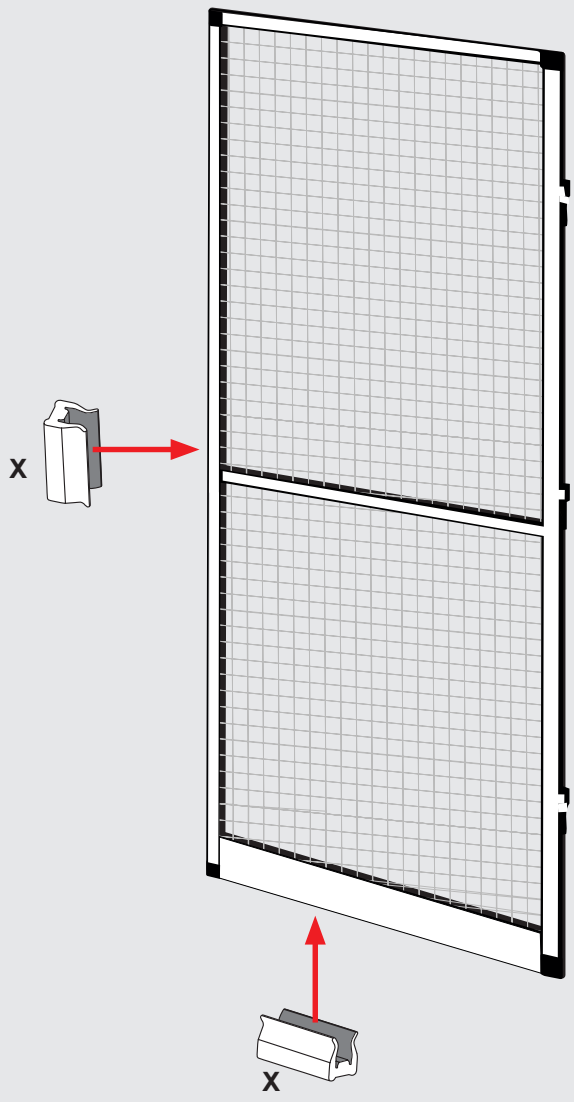
71 → 92

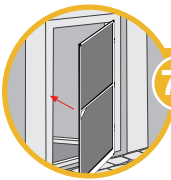
87



88

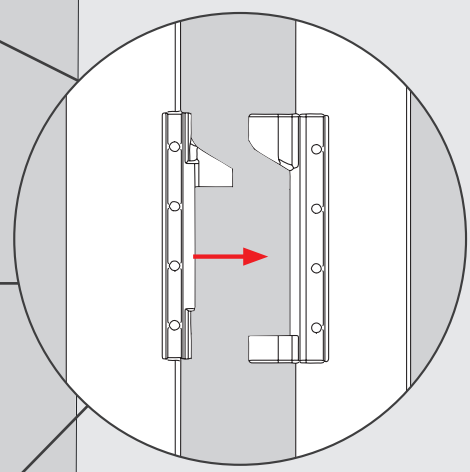
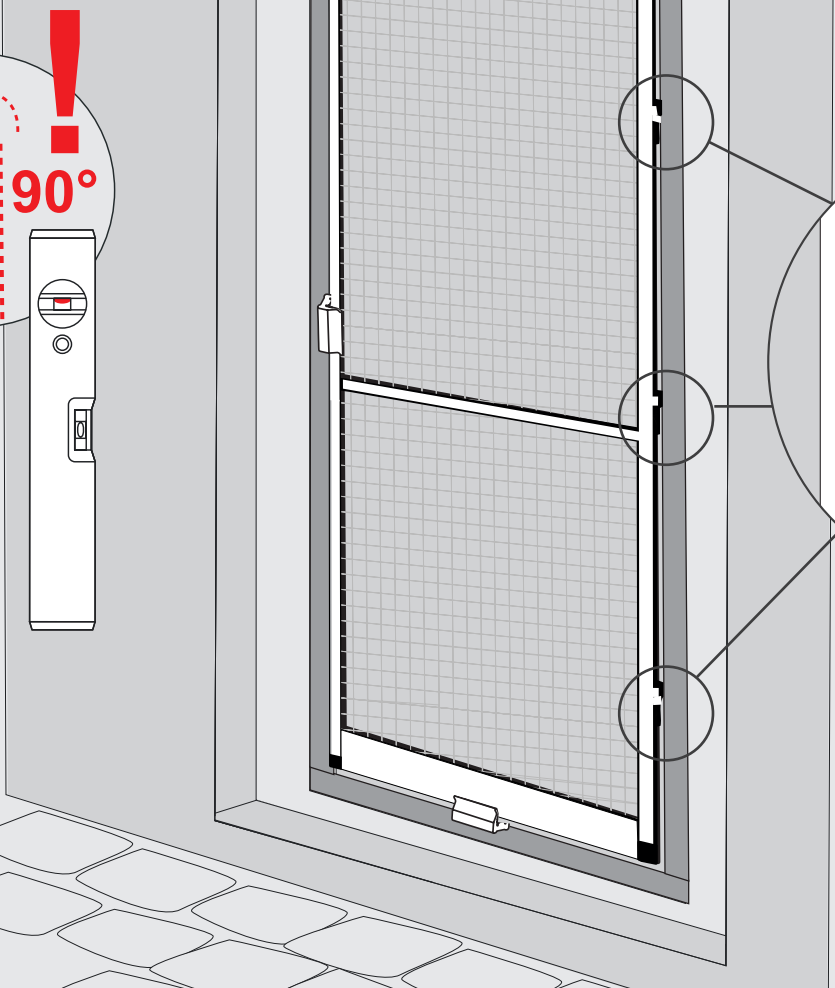
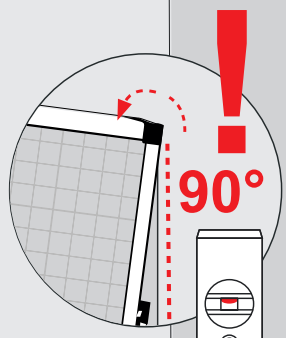
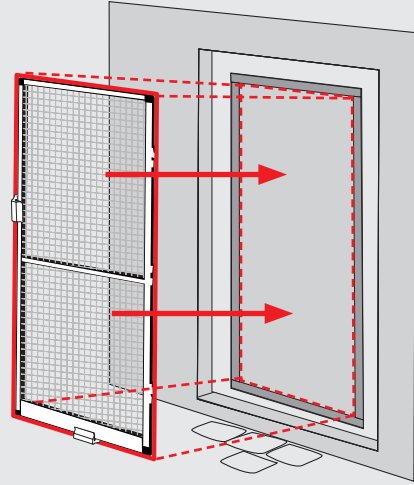
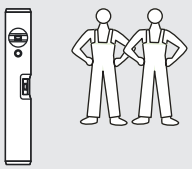
X
2x





71 → 92

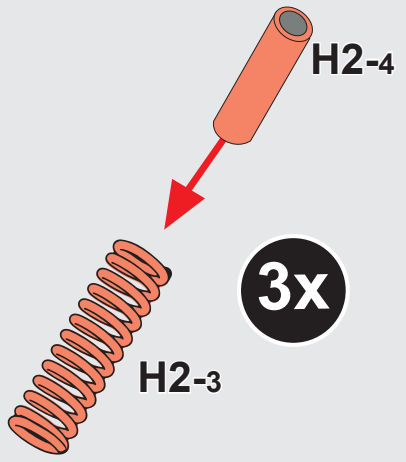
89



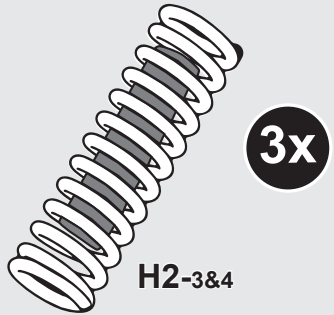
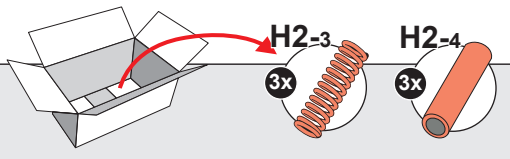


71 → 92

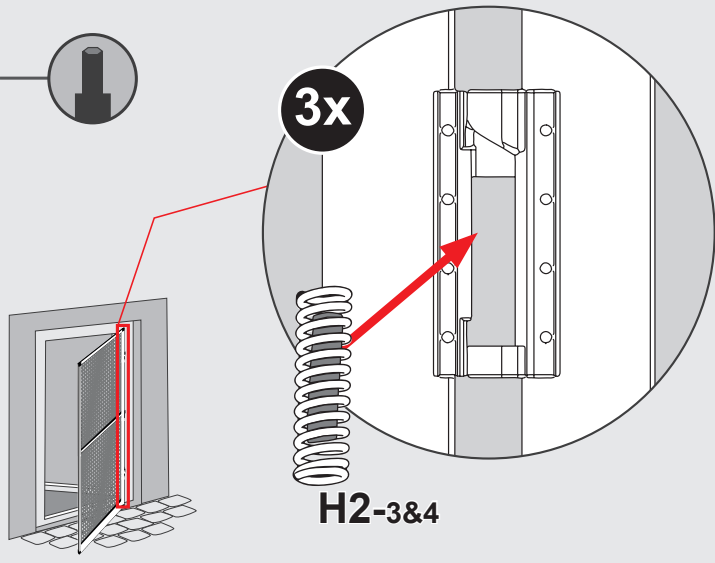
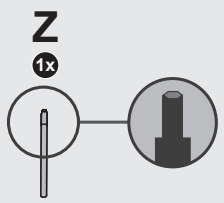
90



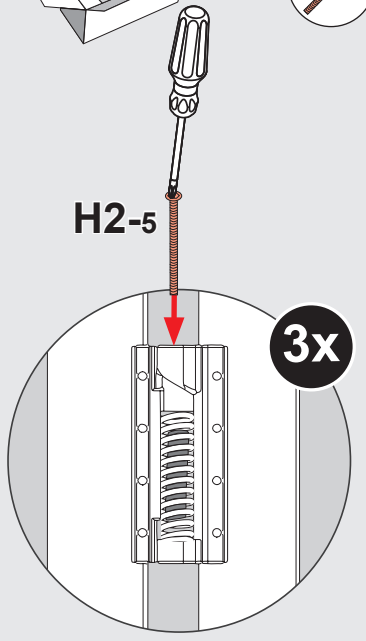
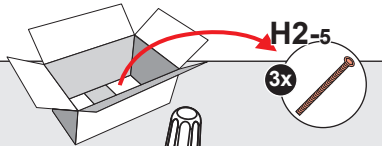
i



91



i



92

