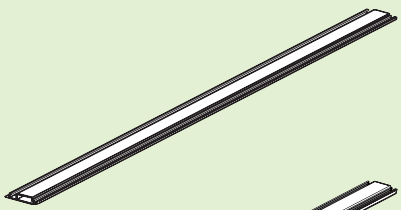



A ET2430-A



H ET2430-H

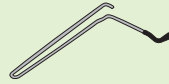


B  ET2430-B

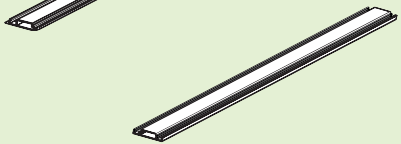
 ET2432-B




I ET2430-I

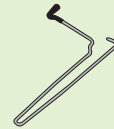


J ET2430-J

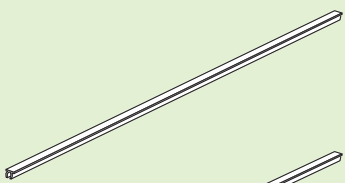


C  ET2430-C

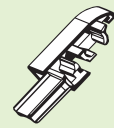
 ET2432-C



K ET2430-K

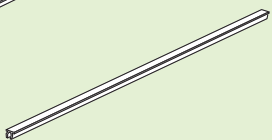


D ET2430-D

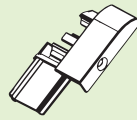


L  ET2430-L


 ET2432-L

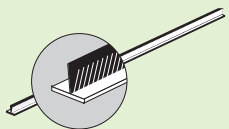


E ET2430-E



M  ET2430-M

 ET2432-M



F ET2430-F



N ET2430-N



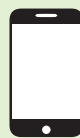
G ET2430-G



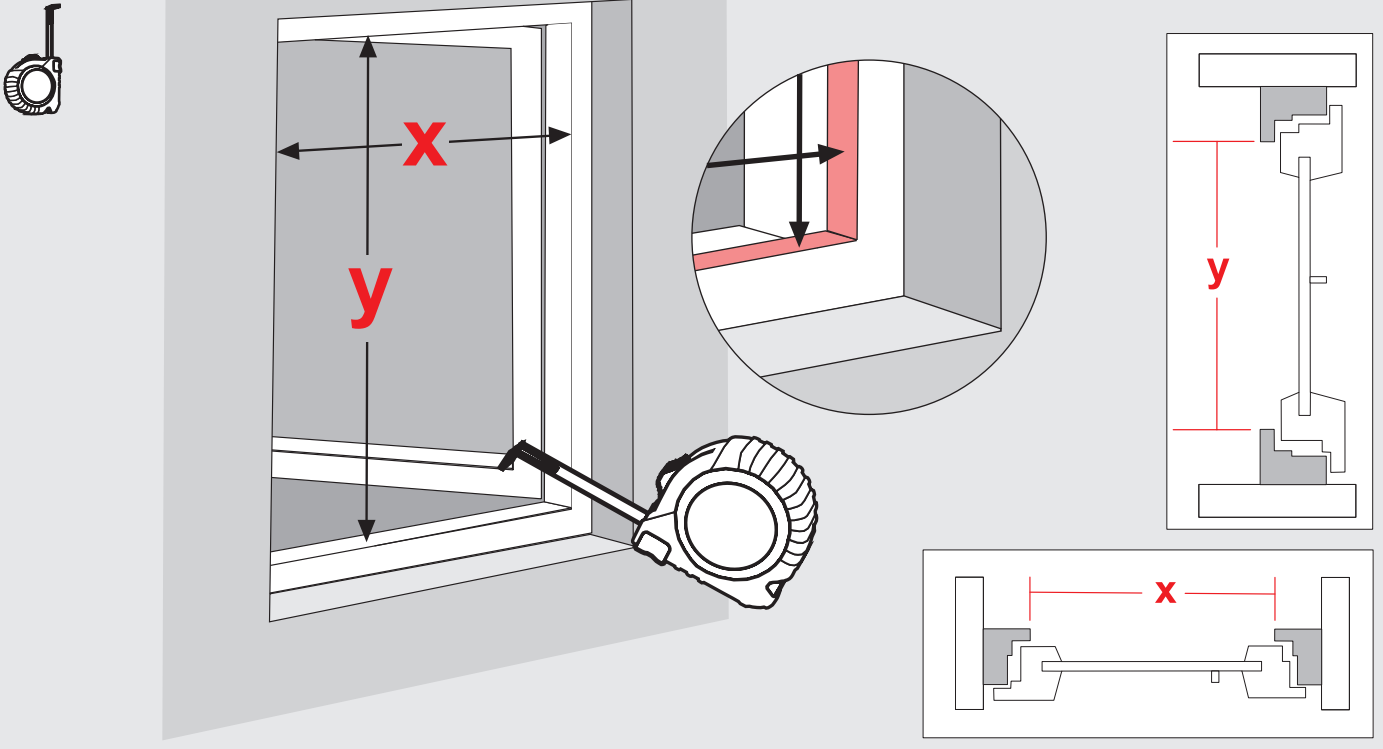
[www.easy-life.de](http://www.easy-life.de)



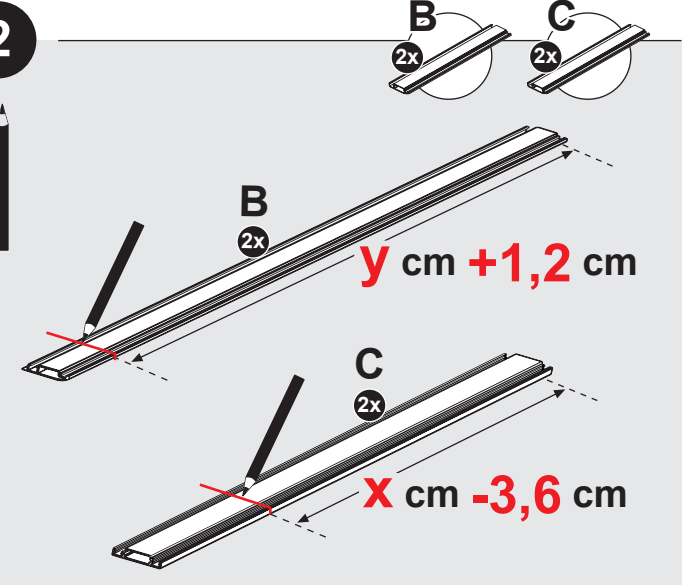
[www.easy-life.de](http://www.easy-life.de)



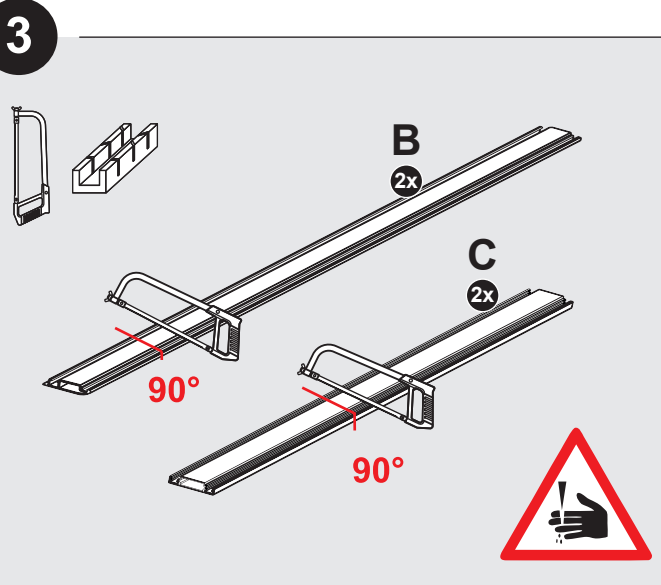
1



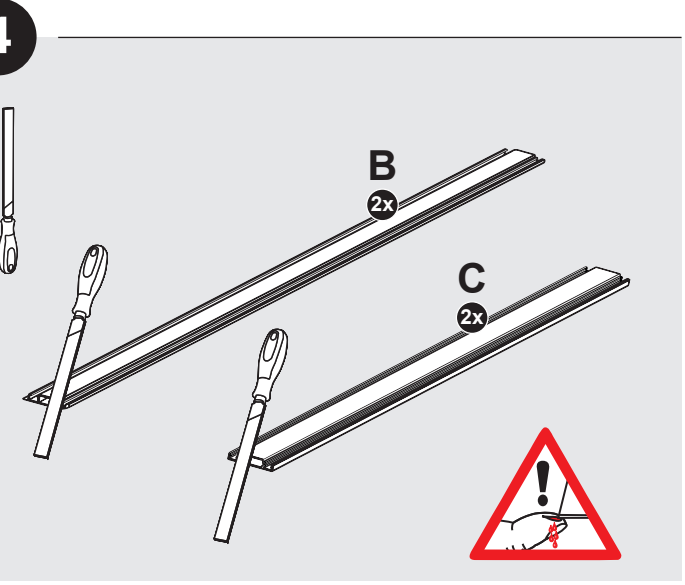
2



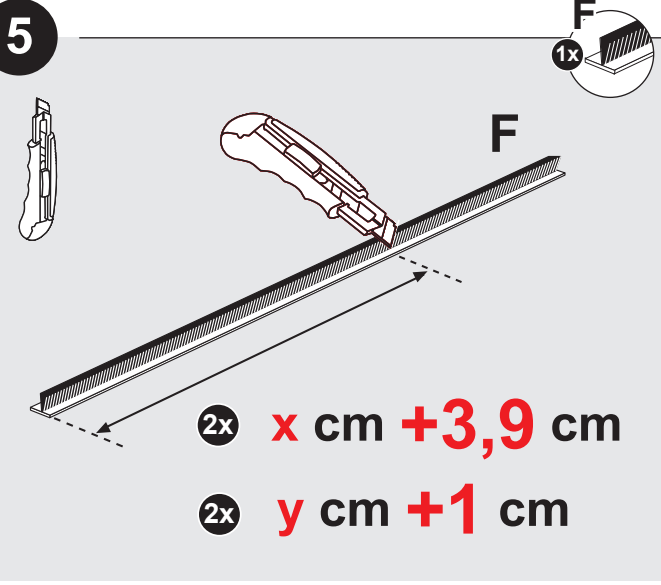
3

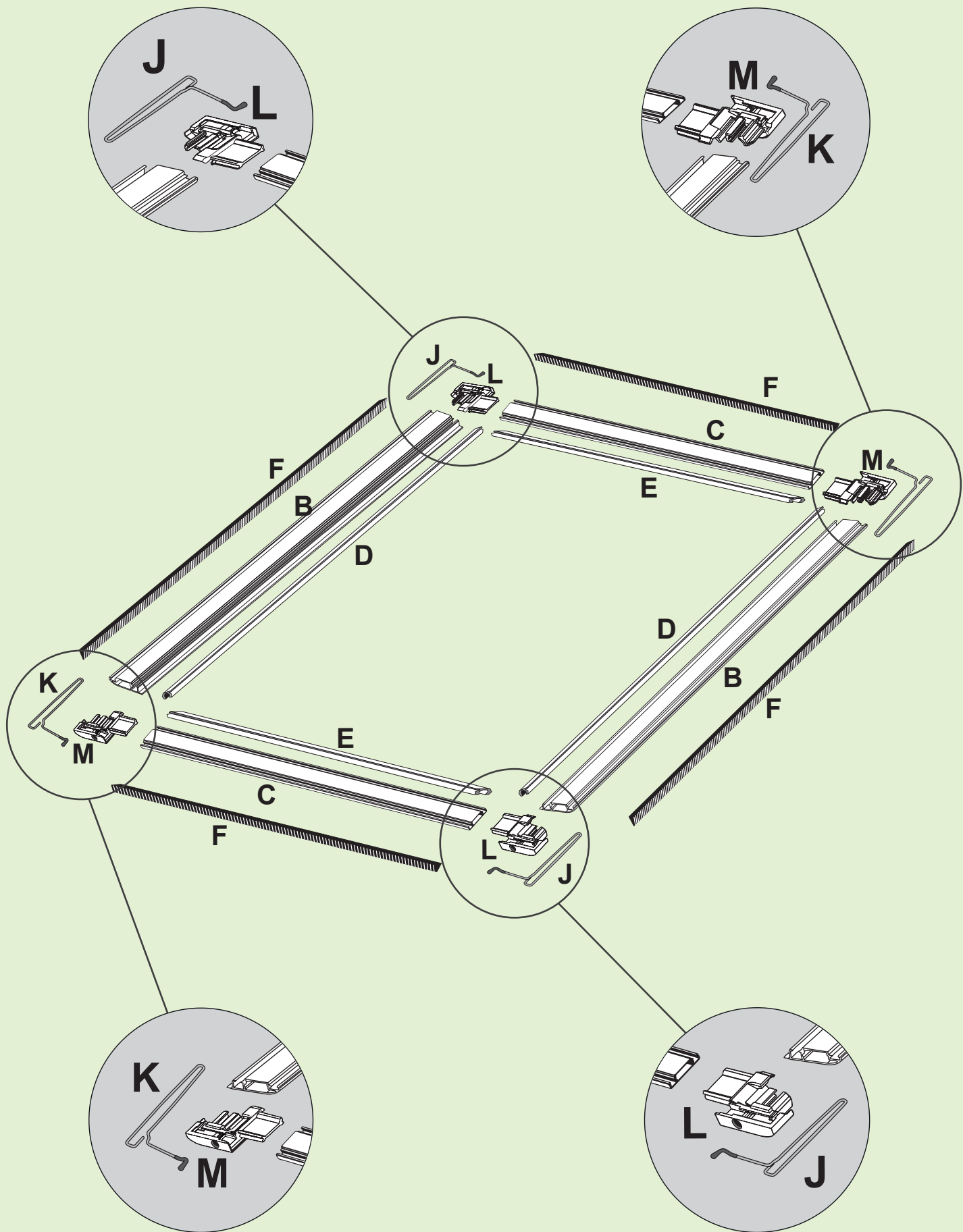


4

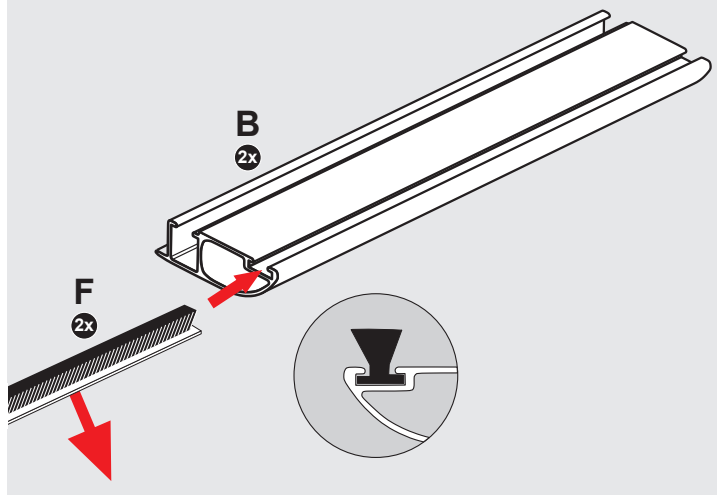
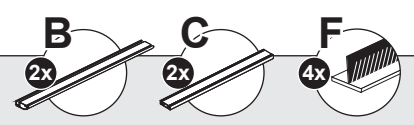


5

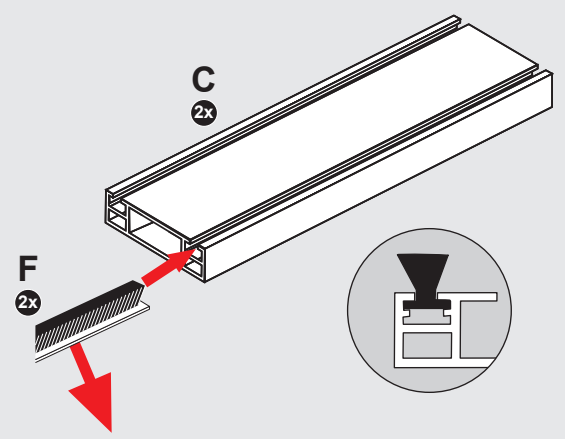




6

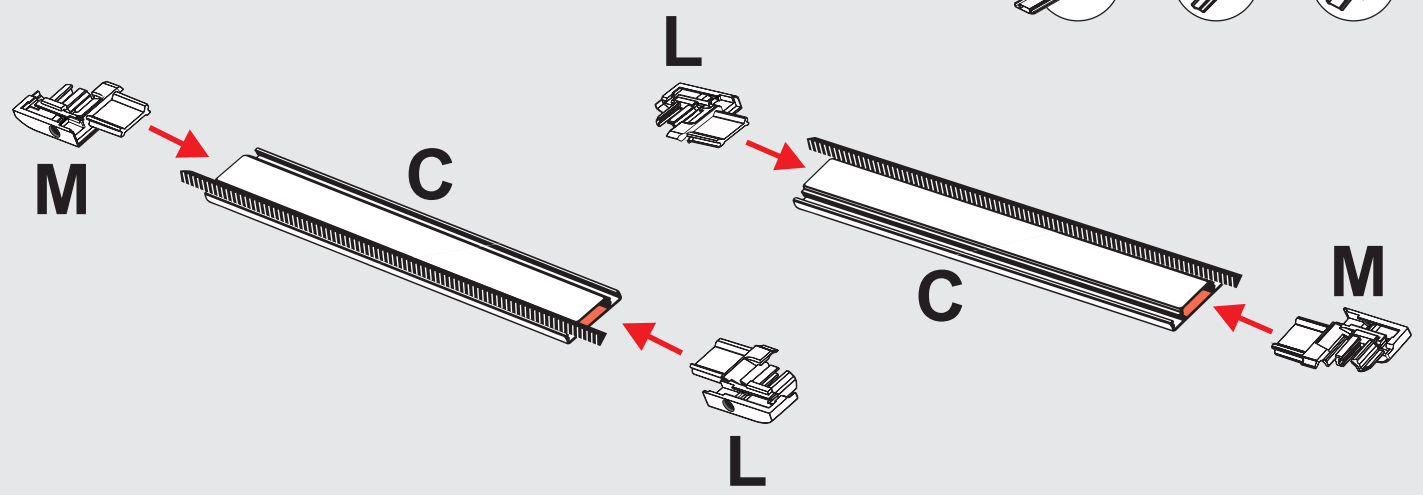


F 2x **y cm + 1 cm**

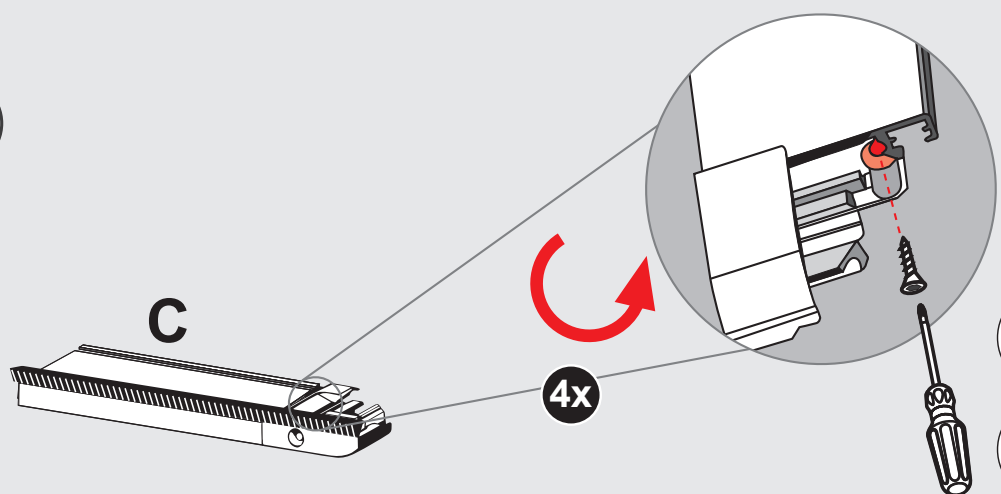
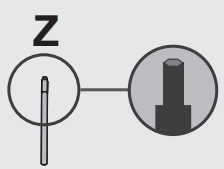
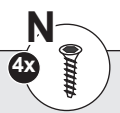


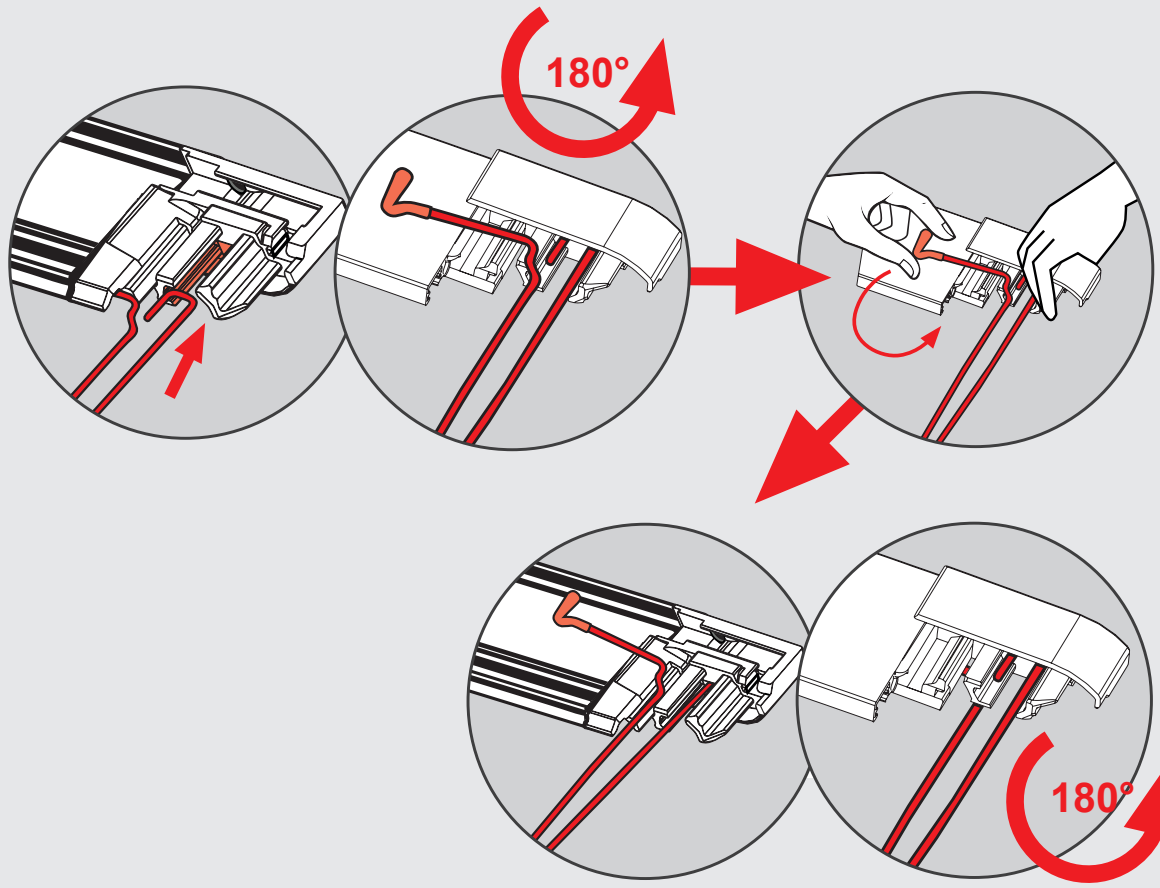
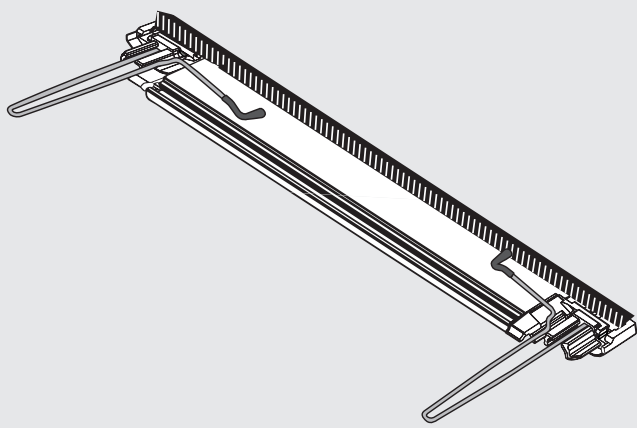
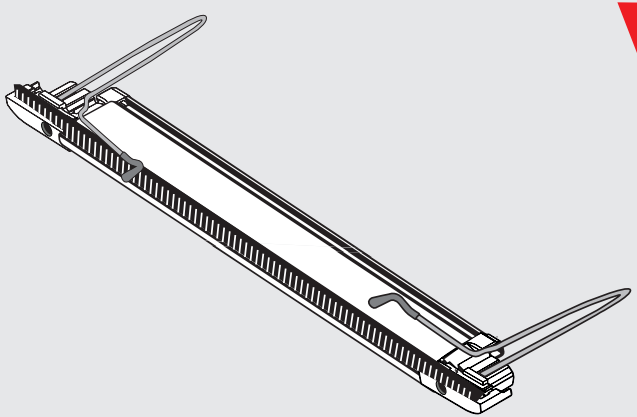
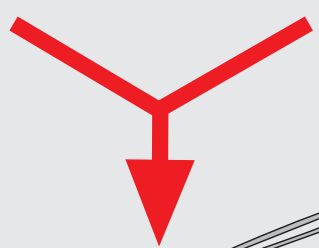
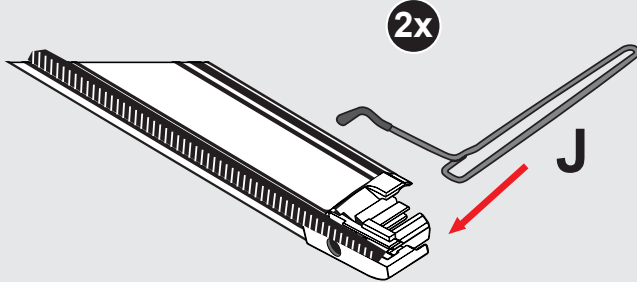
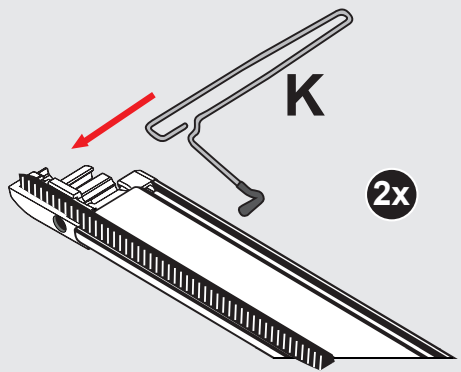
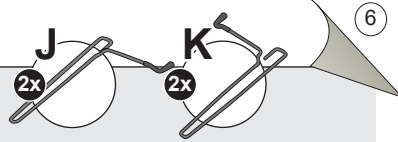
F 2x **x cm + 3,9 cm**

7



8

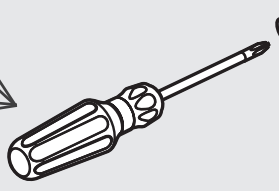
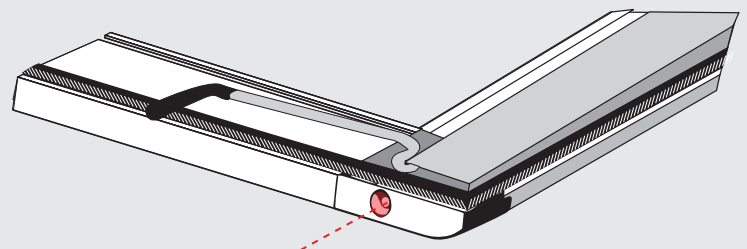
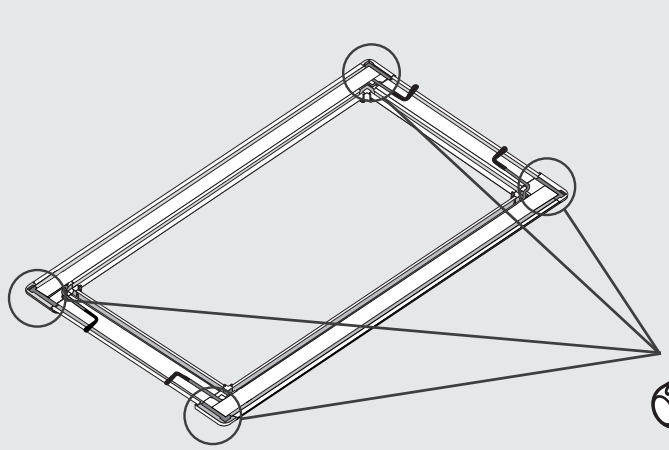
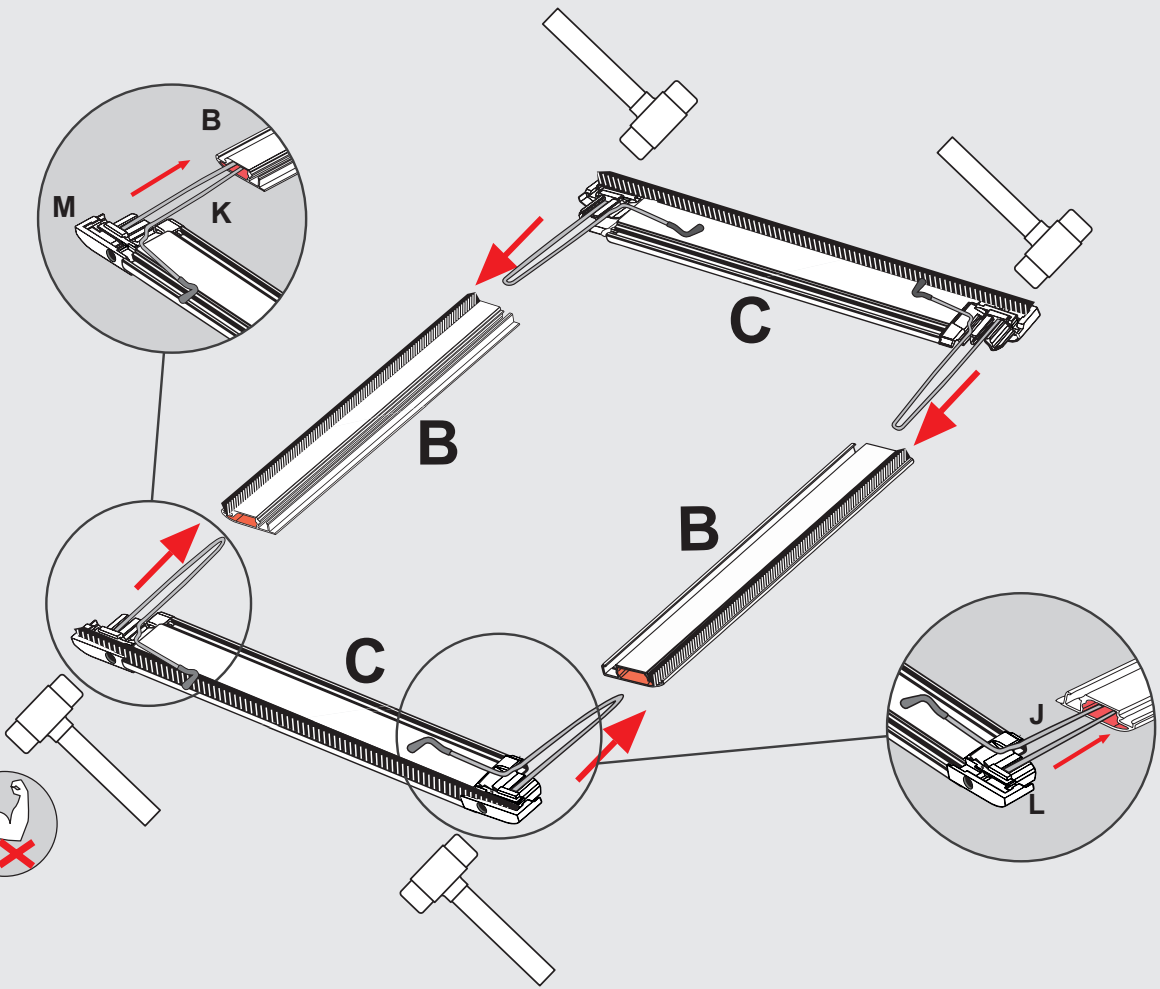
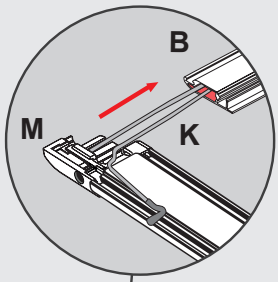
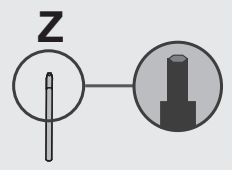




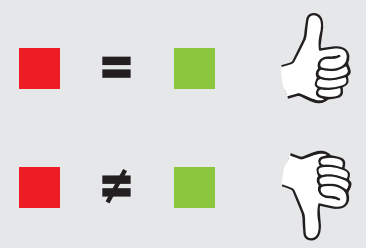
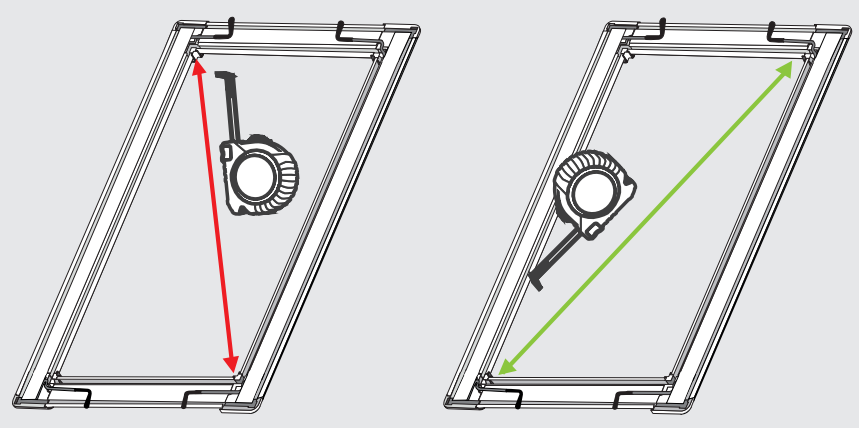
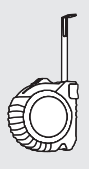
10

B 2x N 4x

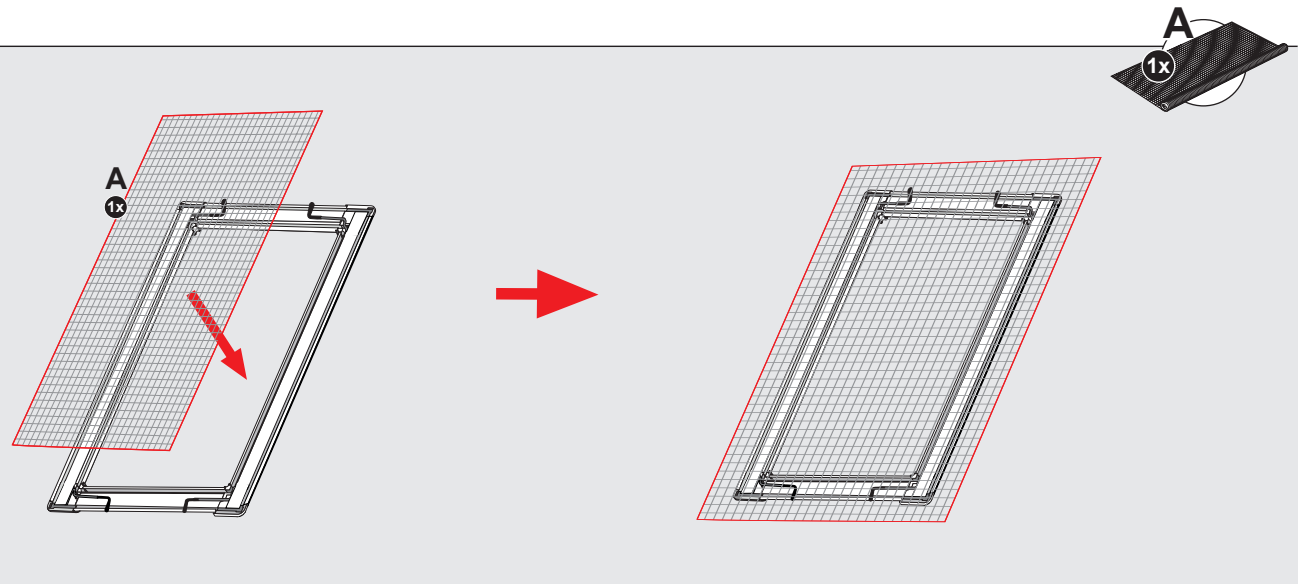
7



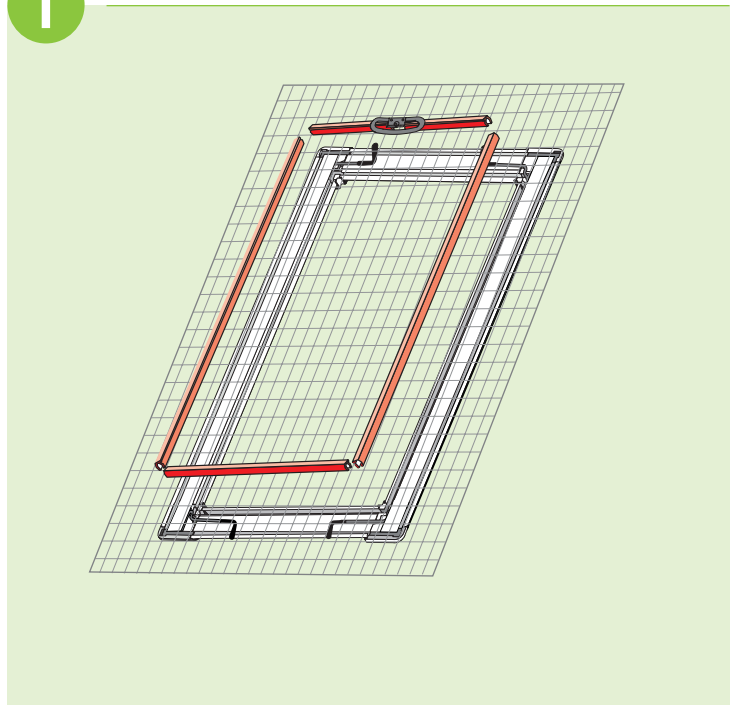
11



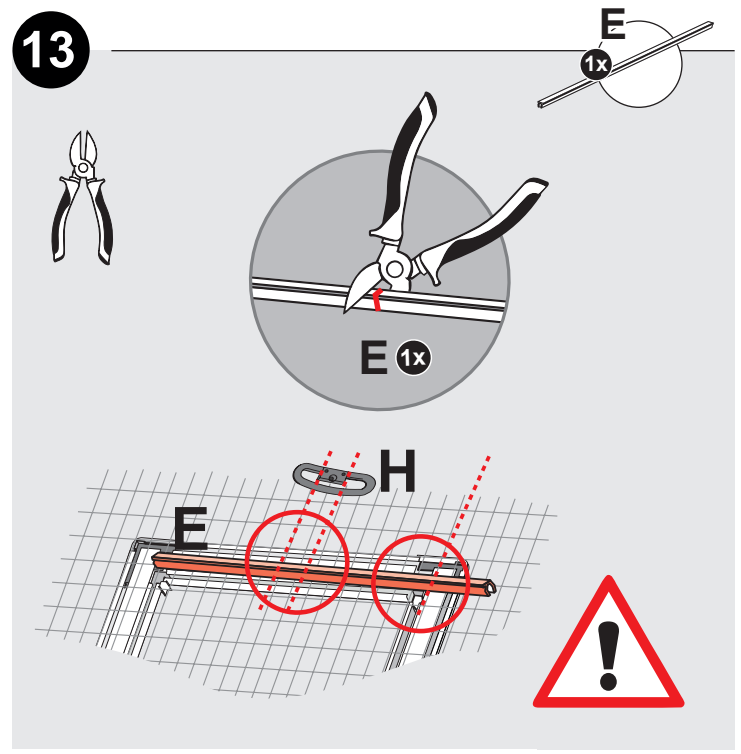
12



i

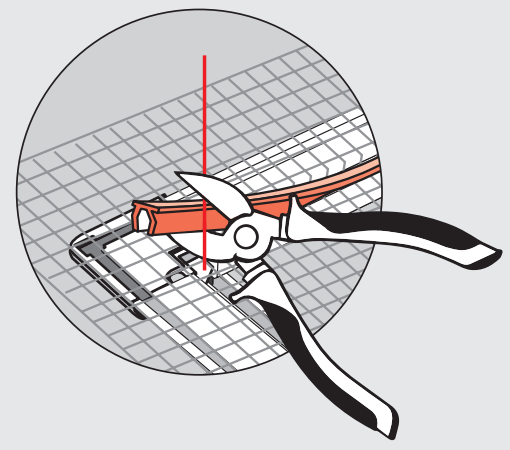
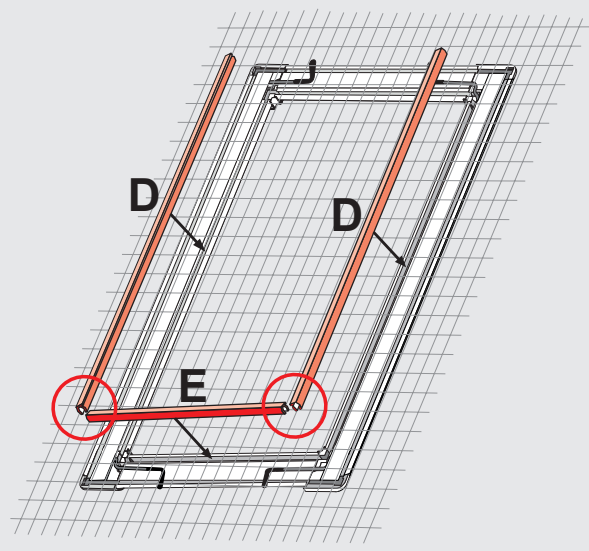
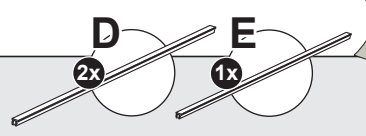


13

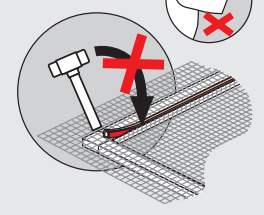
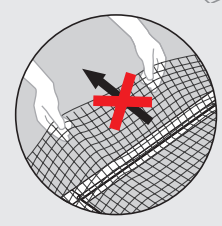
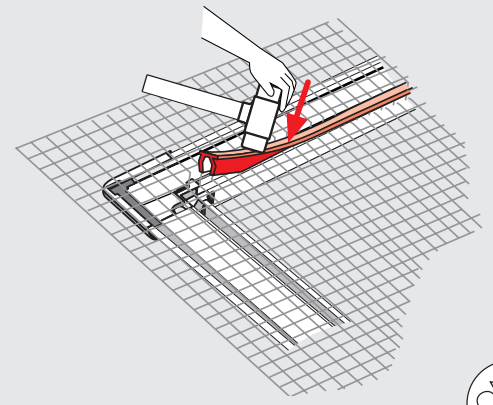
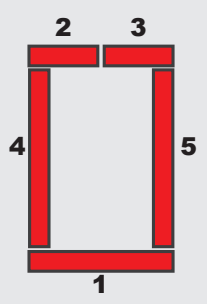
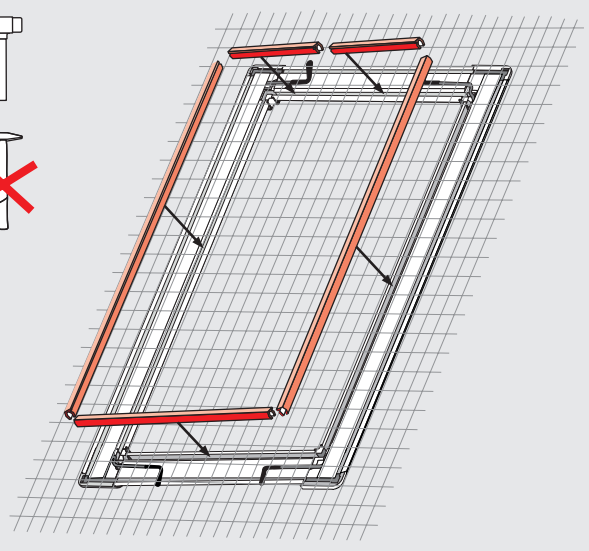
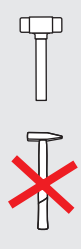




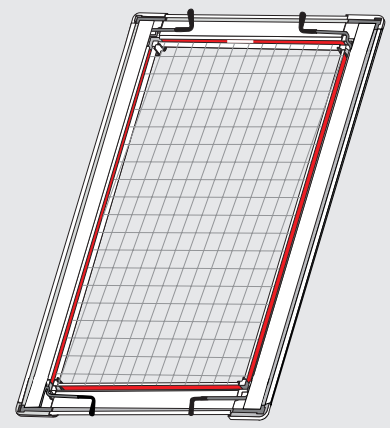
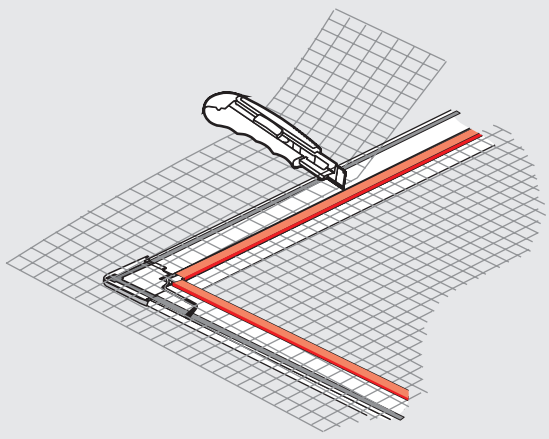
14



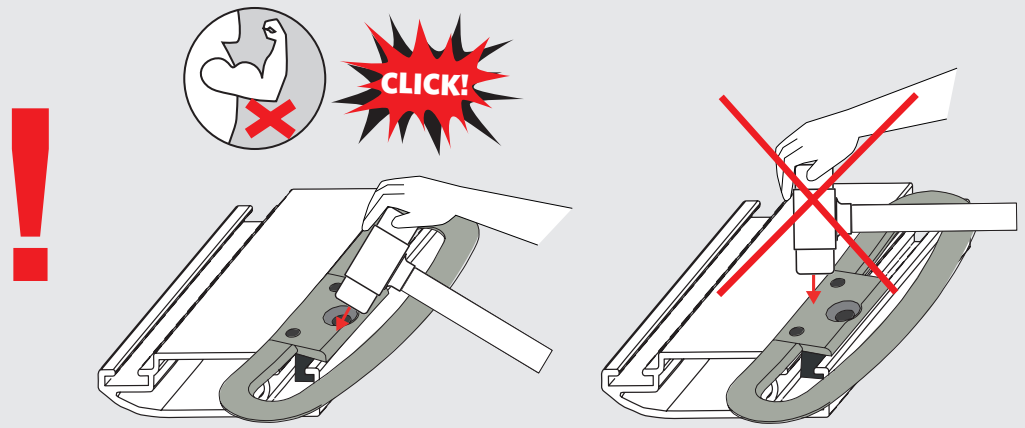
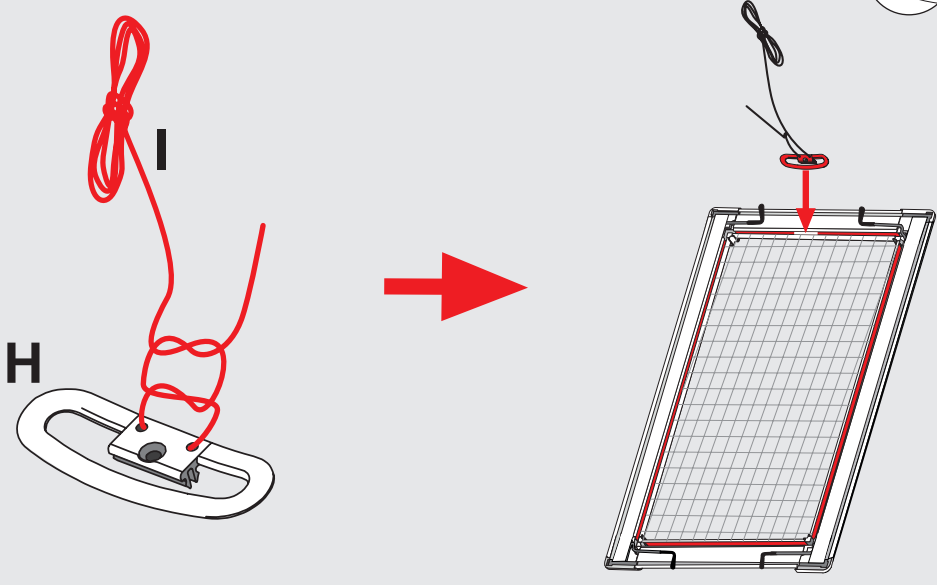
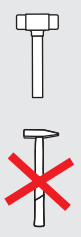
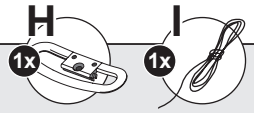
15



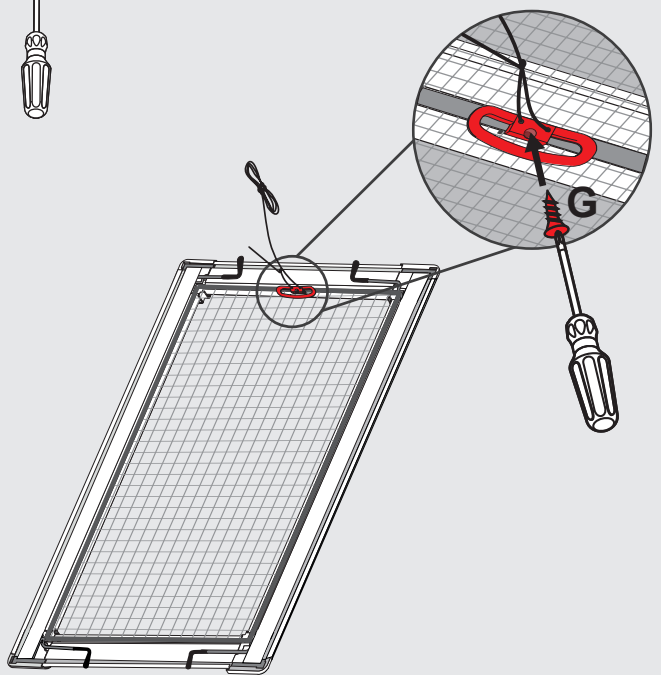
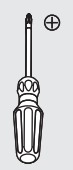
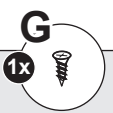
16



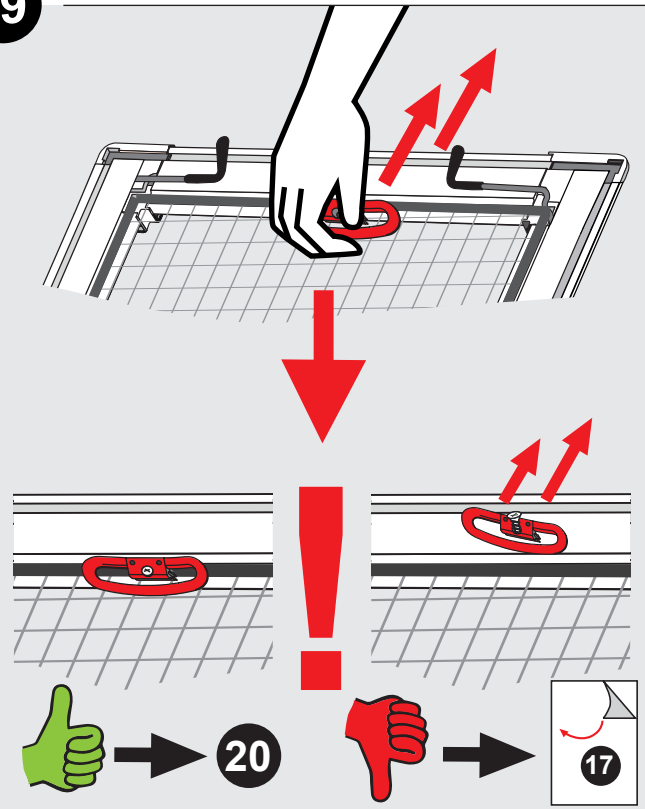
17



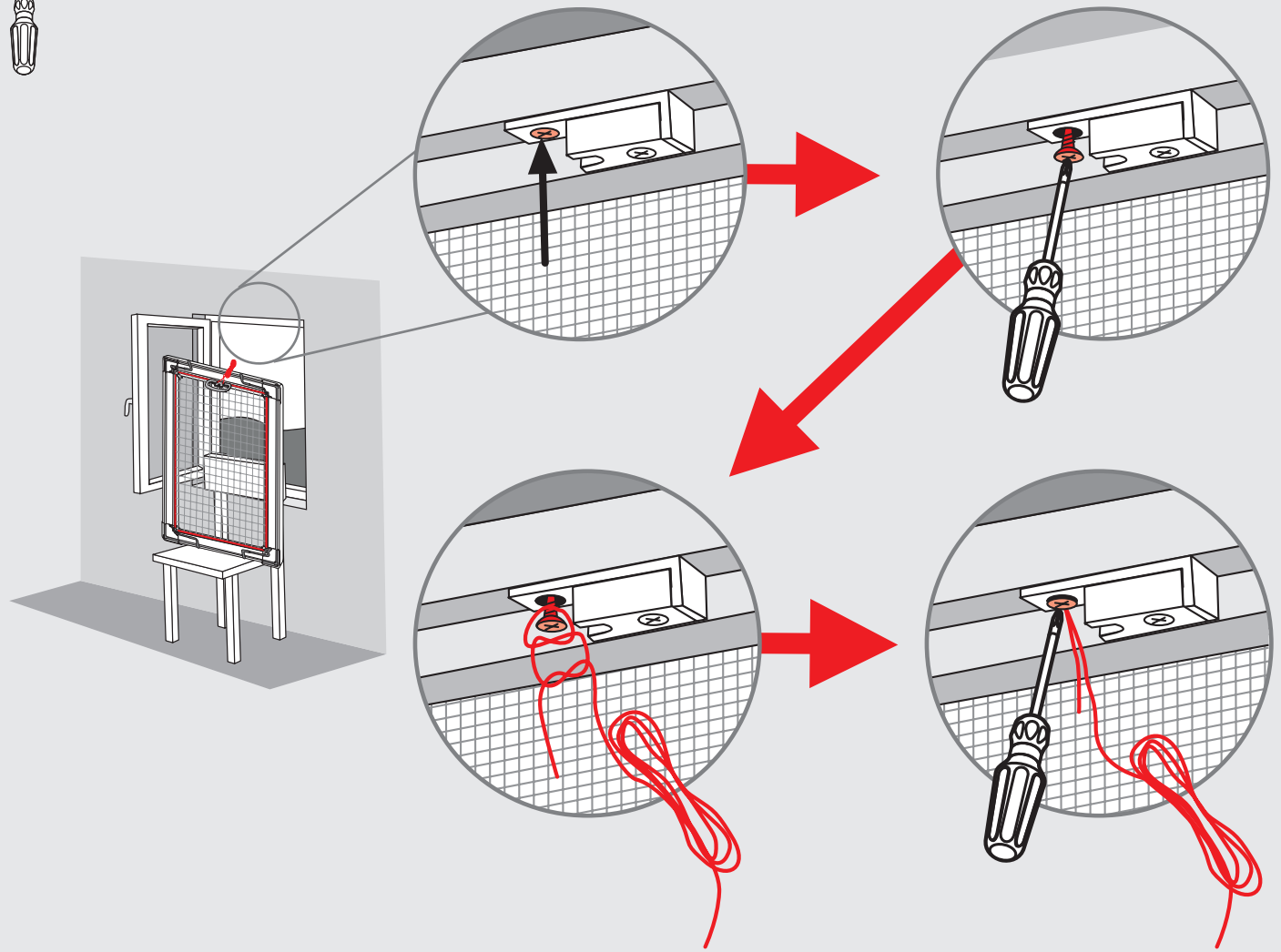
18



19



20



21

