



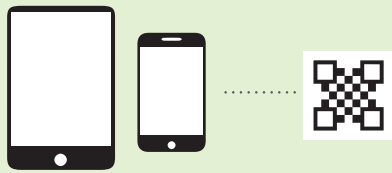
	<b>A</b>	ET3520-A ET3522-A		<b>E</b>	ET3520-E
	<b>B</b>	ET3520-B ET3522-B		<b>F<sub>1</sub></b>	ET3520-F <sub>1</sub> ET3522-F <sub>1</sub>
	<b>B<sub>2</sub></b>	ET3520-B <sub>2</sub>		<b>F<sub>2</sub></b>	ET3520-F <sub>2</sub> ET3522-F <sub>2</sub>
	<b>B<sub>3</sub></b>	ET3520-B <sub>3</sub>		<b>G</b>	ET3520-G
	<b>C</b>	ET3520-C ET3522-C		<b>H</b>	ET3520-H
	<b>D</b>	ET3520-D ET3522-D		<b>I</b>	ET3520-I
	<b>D<sub>2</sub></b>	ET3520-D <sub>2</sub>		<b>J</b>	ET3520-J
	<b>D<sub>3</sub></b>	ET3520-D <sub>3</sub>		<b>K<sub>1</sub></b>	ET3520-K <sub>1</sub> ET3522-K <sub>1</sub>
	<b>D<sub>4</sub></b>	ET3520-D <sub>4</sub>		<b>K<sub>2</sub></b>	ET3520-K <sub>2</sub> ET3522-K <sub>2</sub>
	<b>D<sub>5</sub></b>	ET3520-D <sub>5</sub>		<b>K<sub>3</sub></b>	ET3520-K <sub>3</sub>



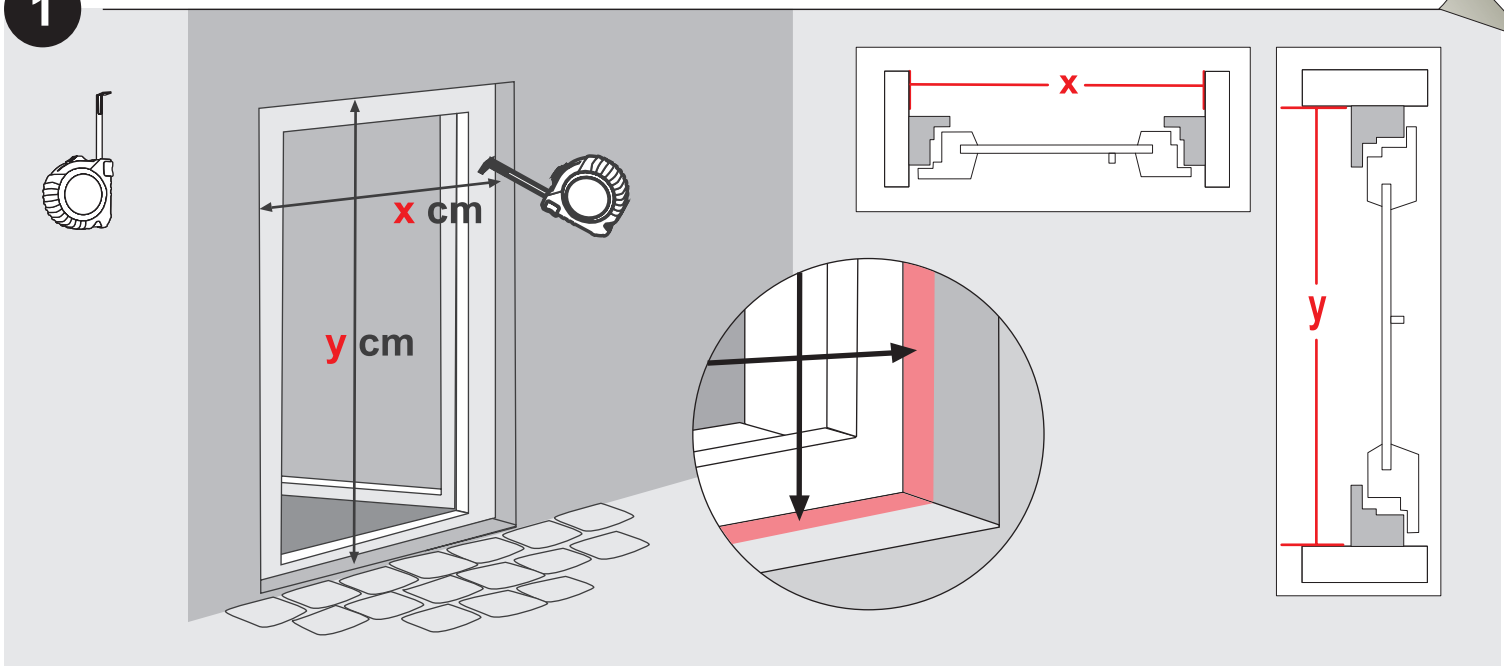
[www.easy-life.de](http://www.easy-life.de)



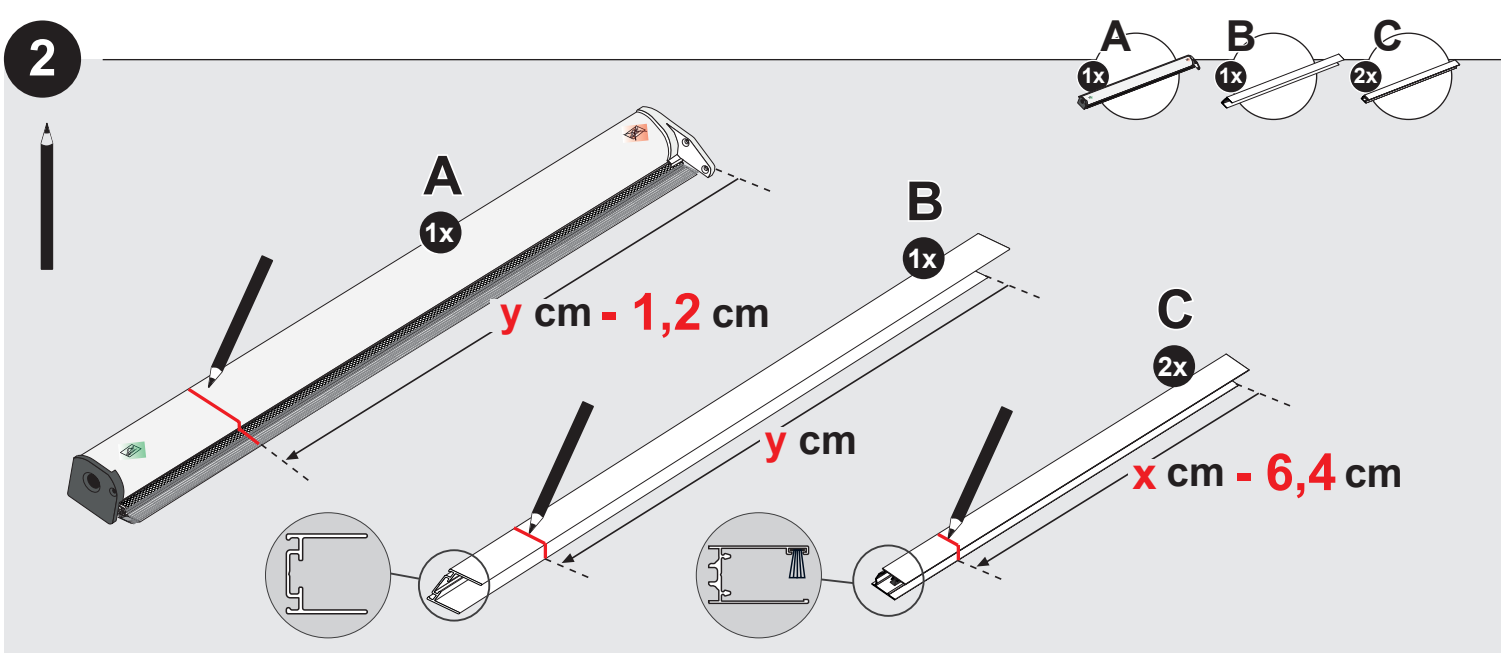
[www.easy-life.de](http://www.easy-life.de)



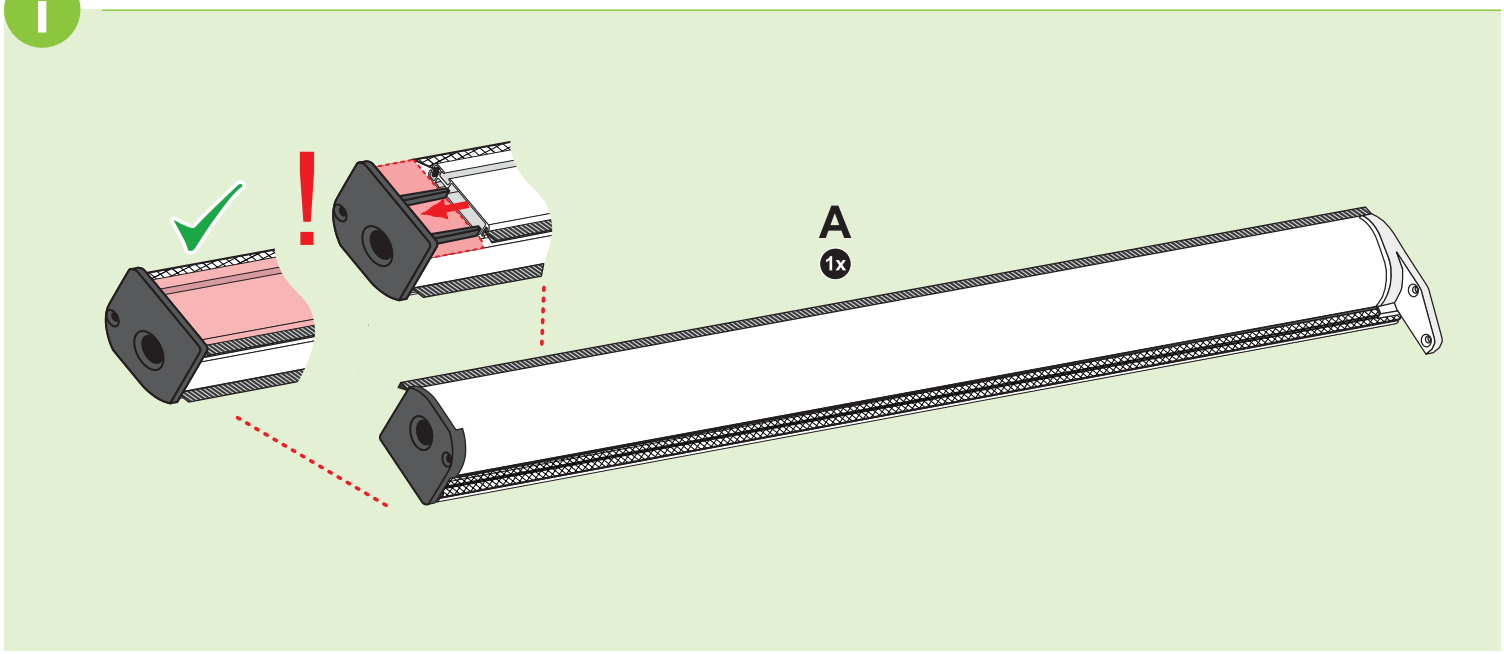
1

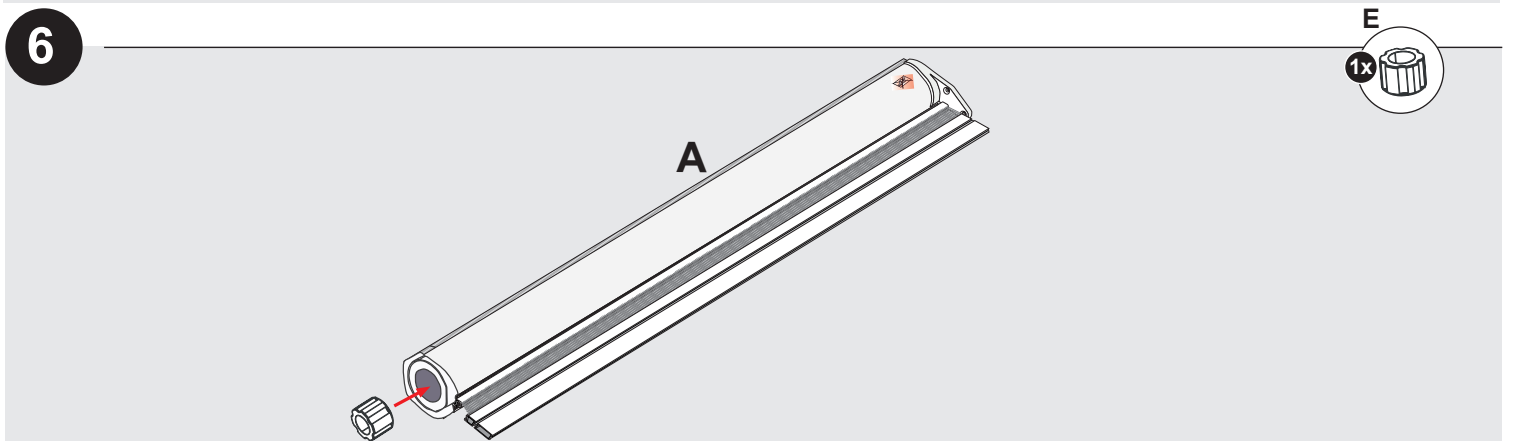
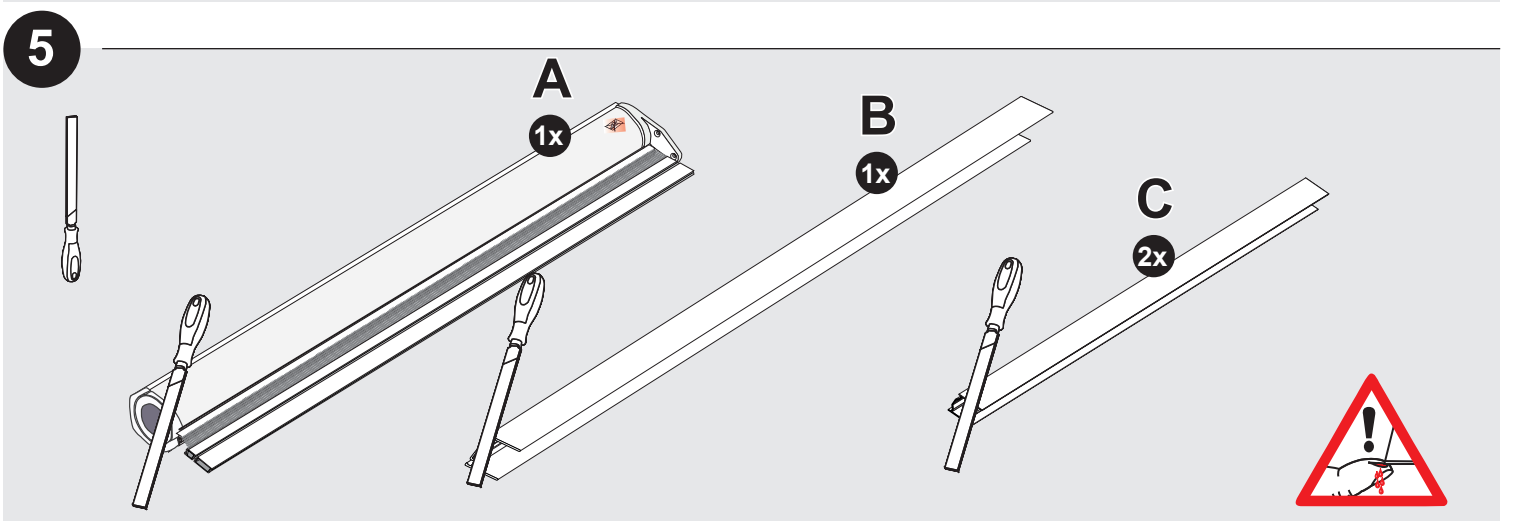
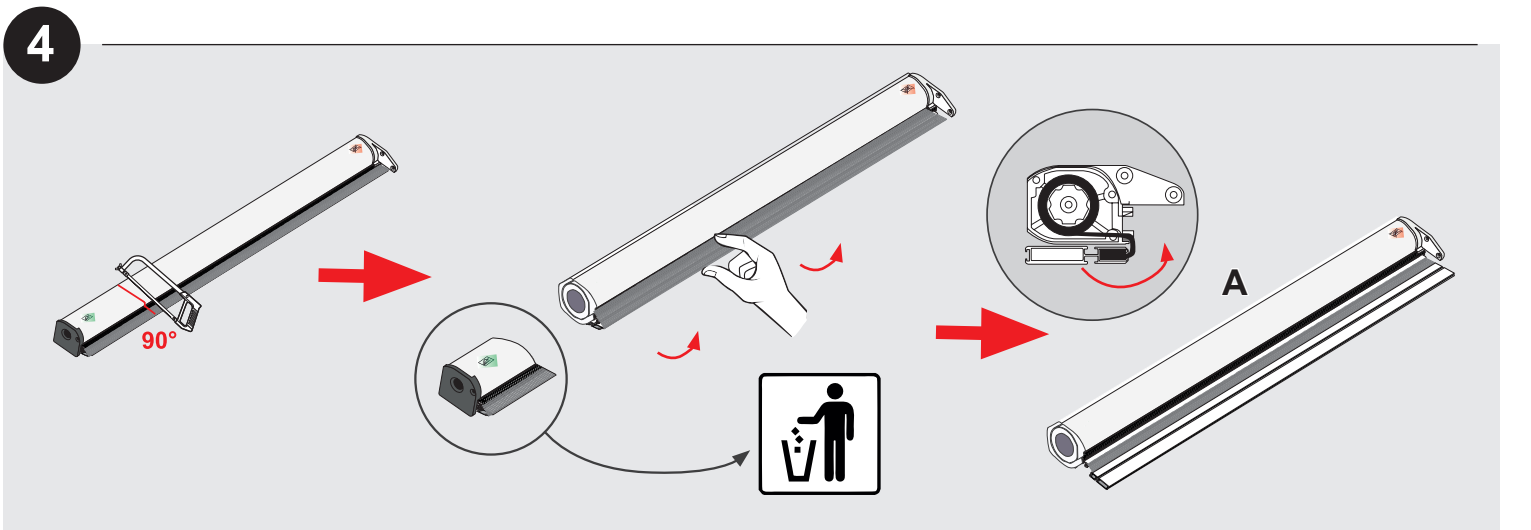
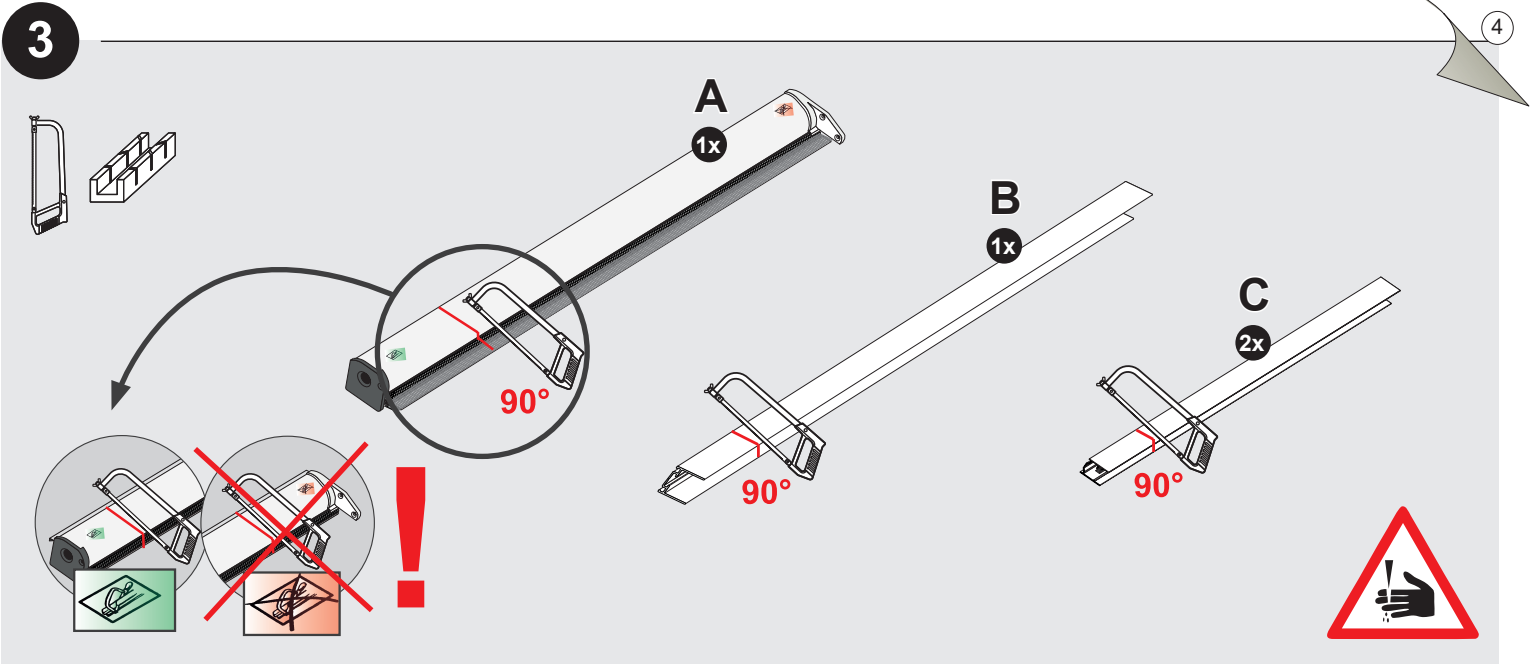


2



i

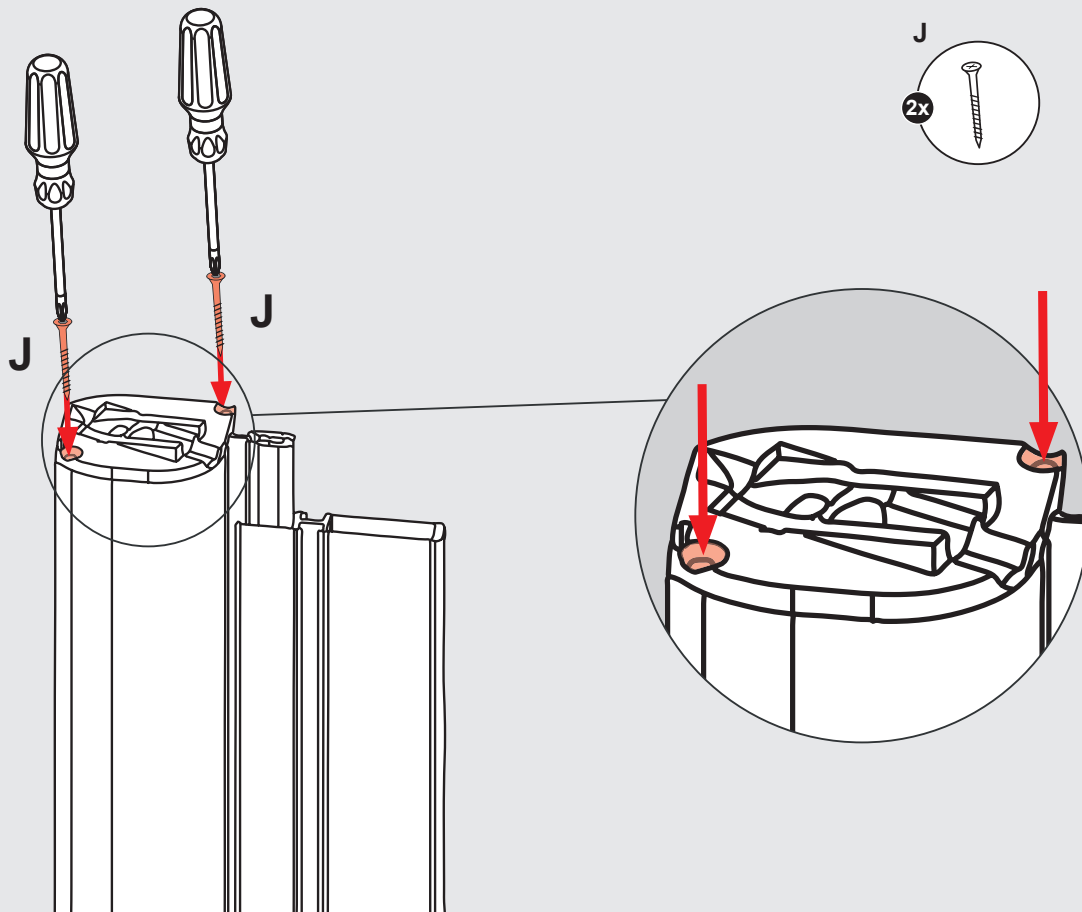
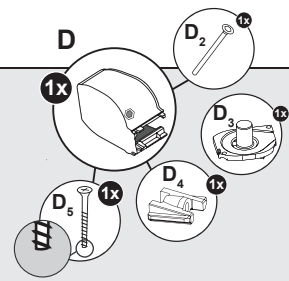
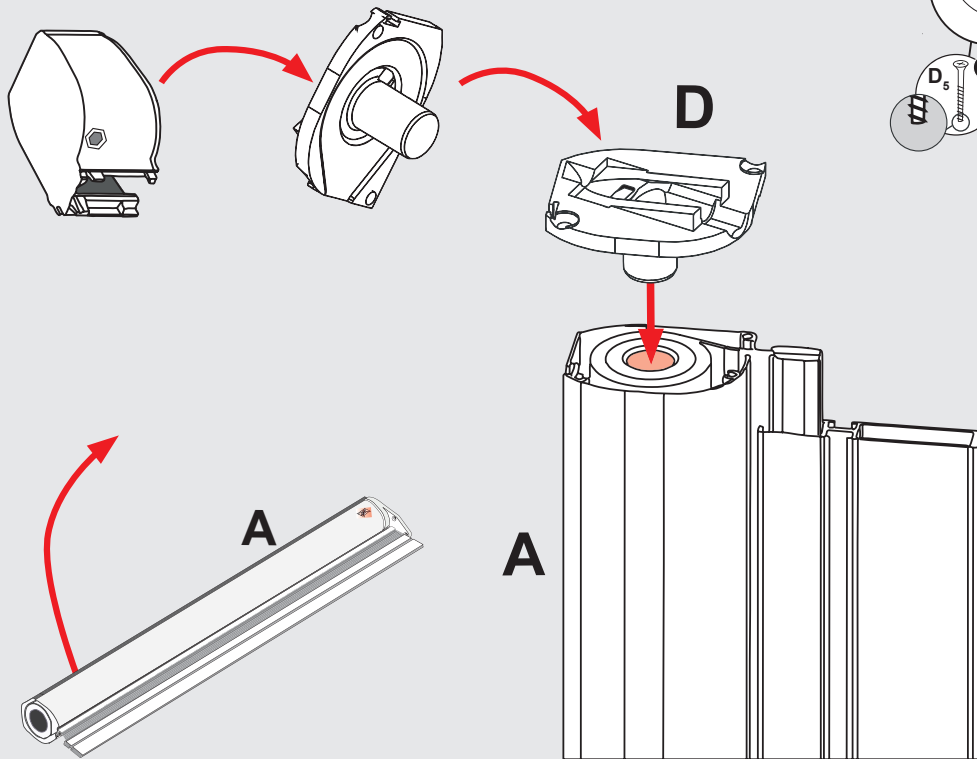






7

5

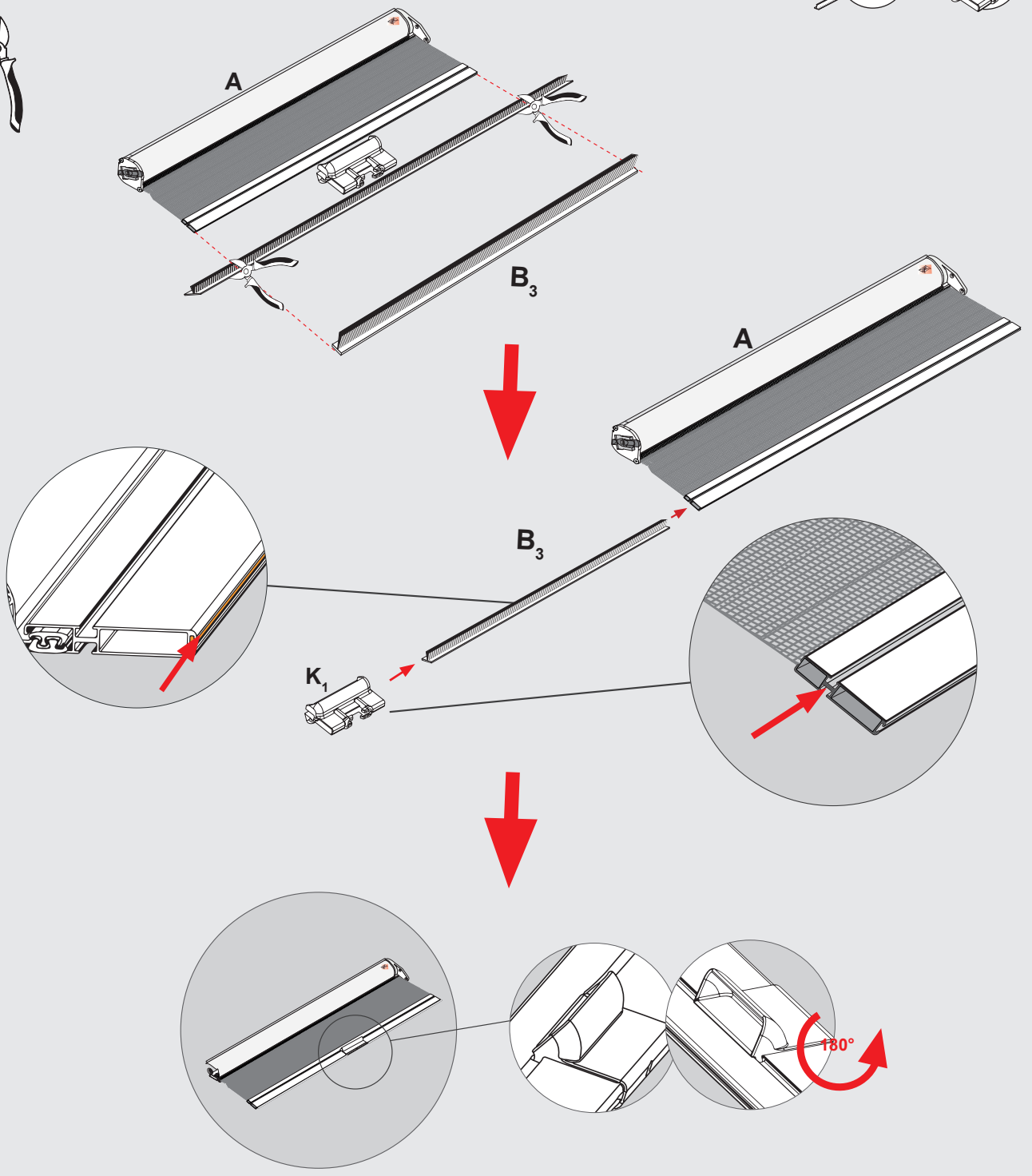


8

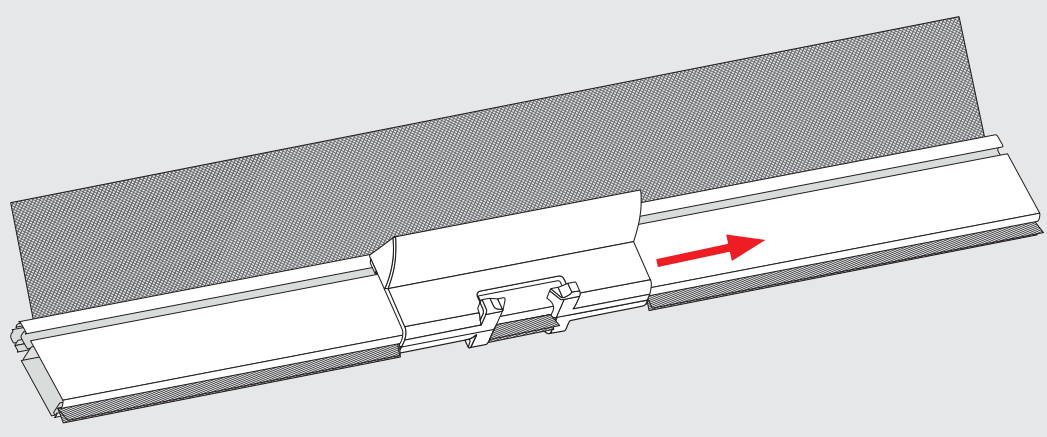
B<sub>3</sub>  
2x

K<sub>1</sub>  
1x

6

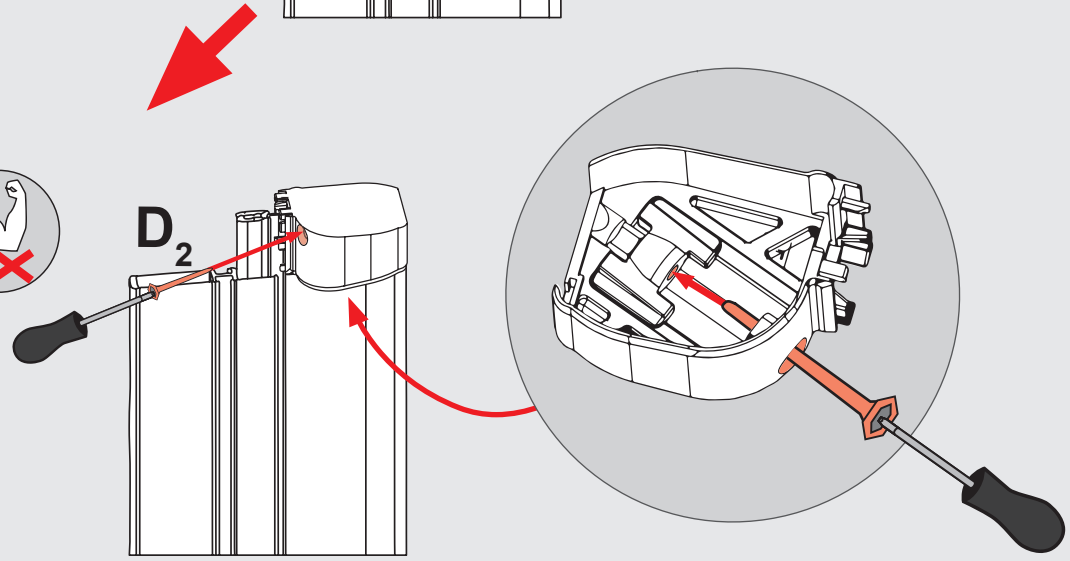
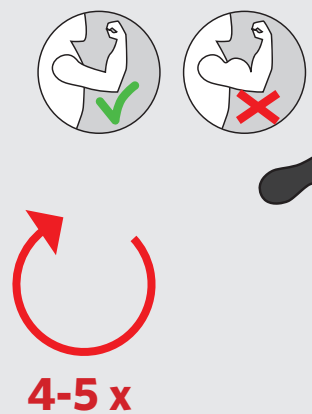
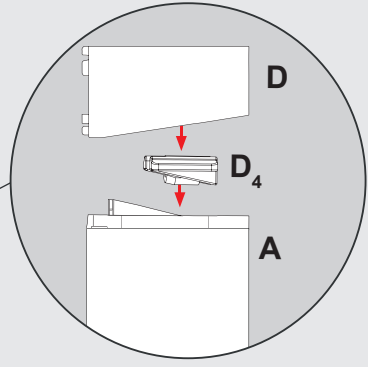
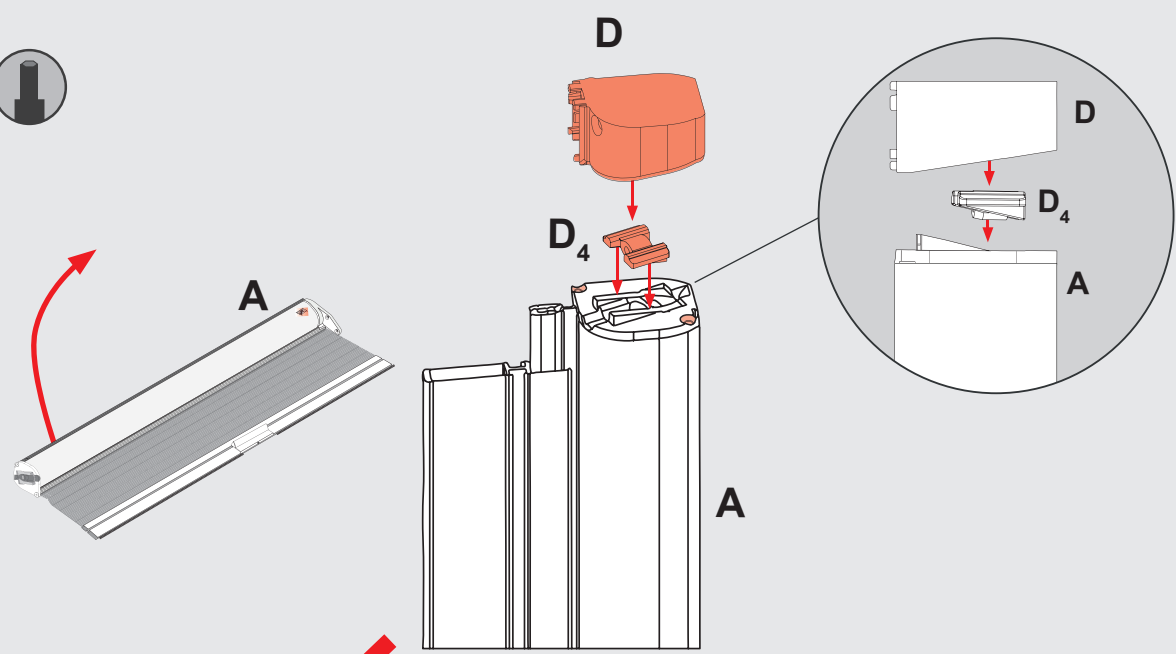
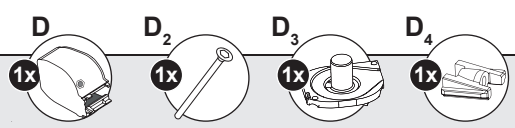
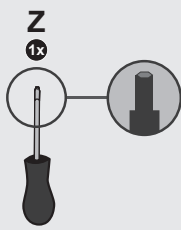


9

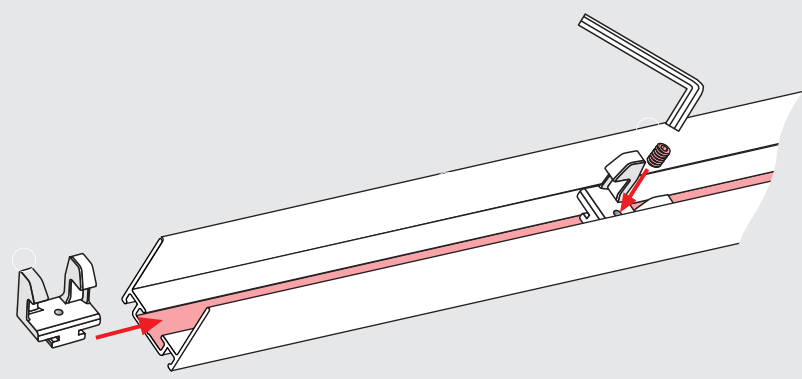
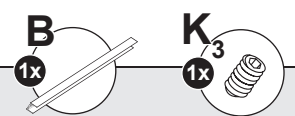


10

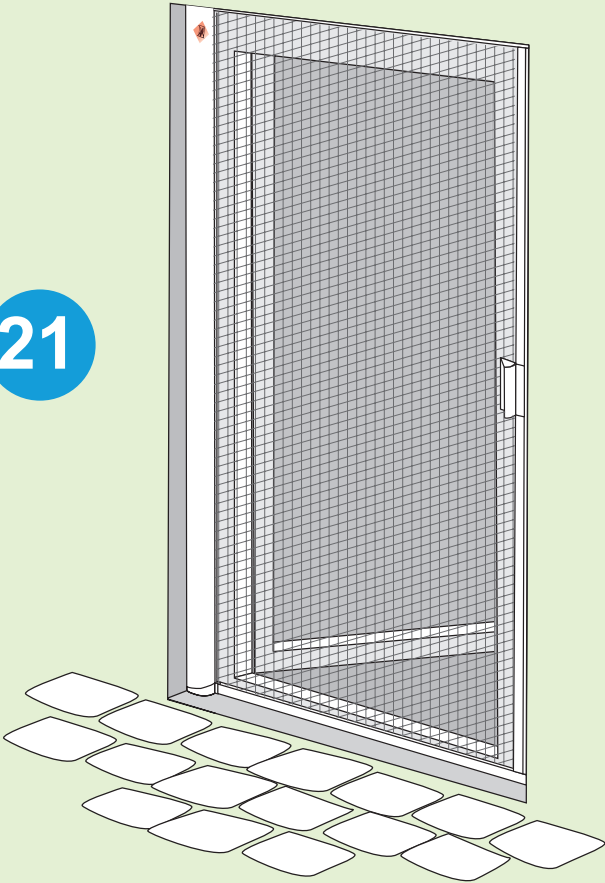
7



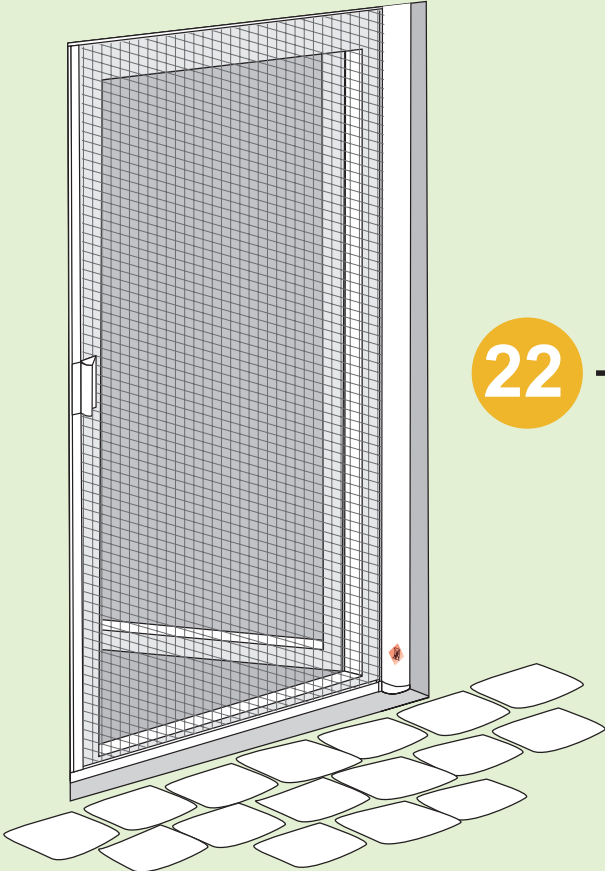
11

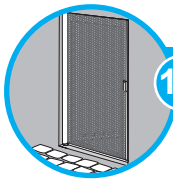


12 → 21



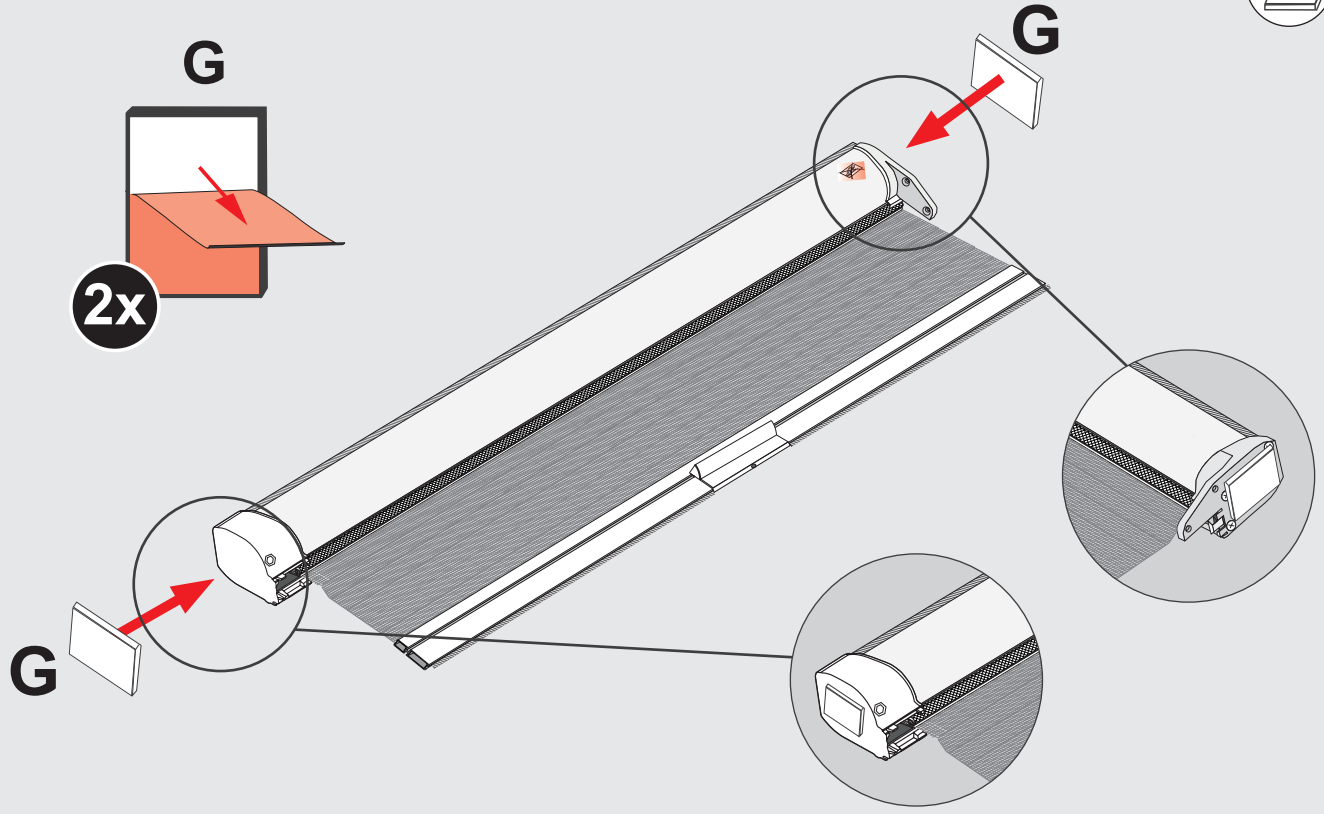
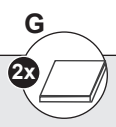
22 → 31



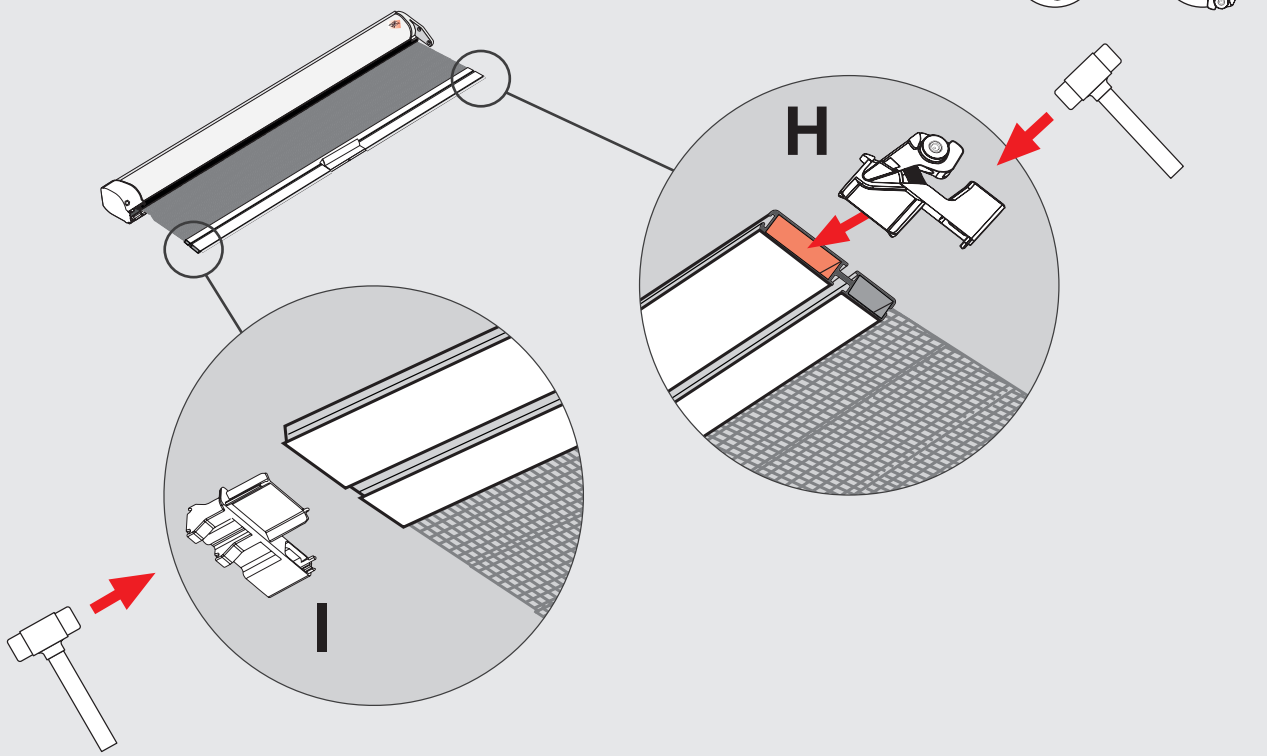
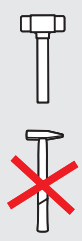
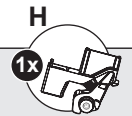
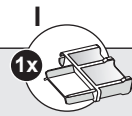


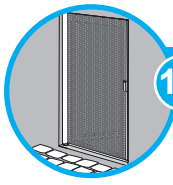
12 → 21

12



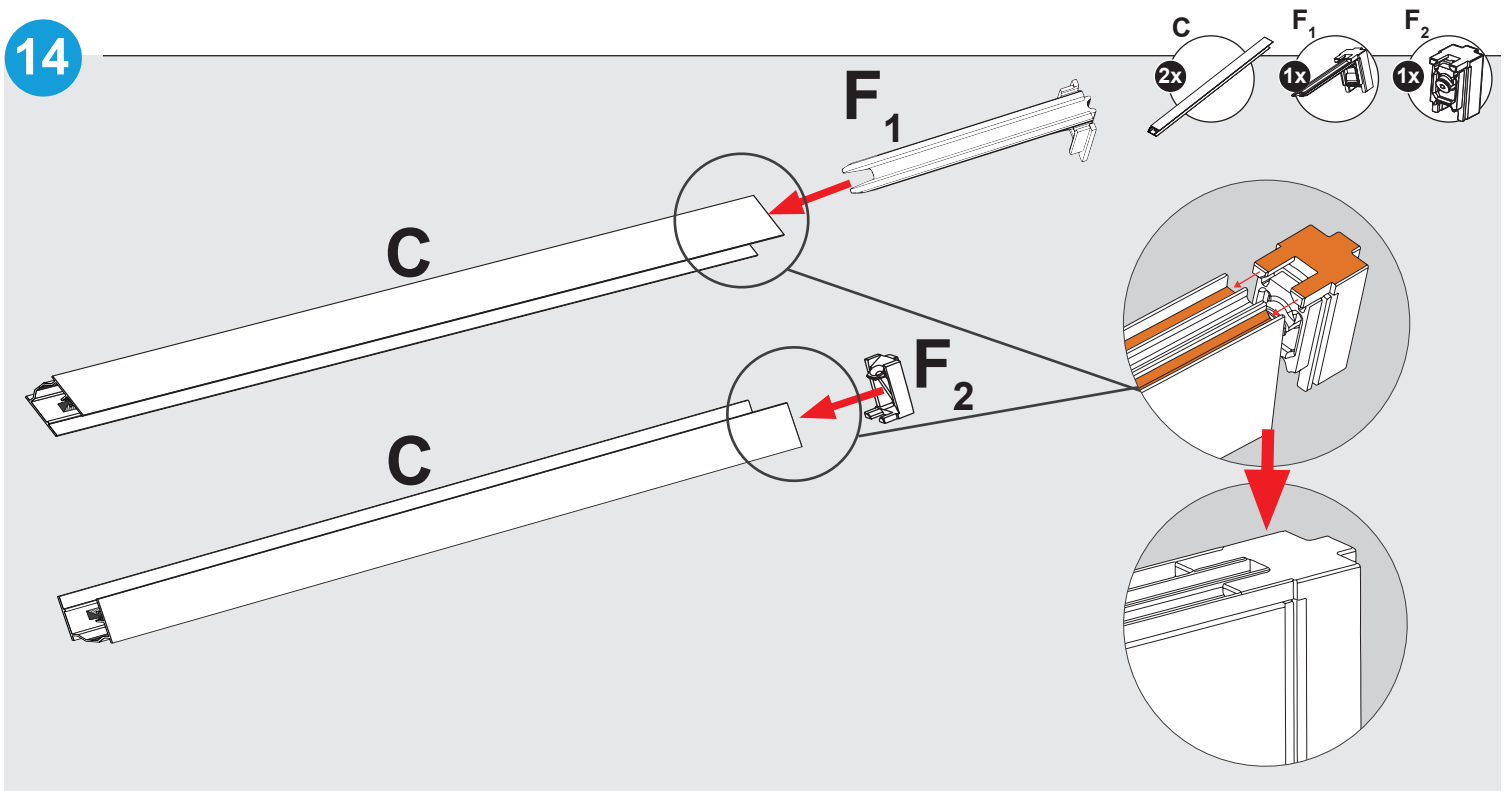
13



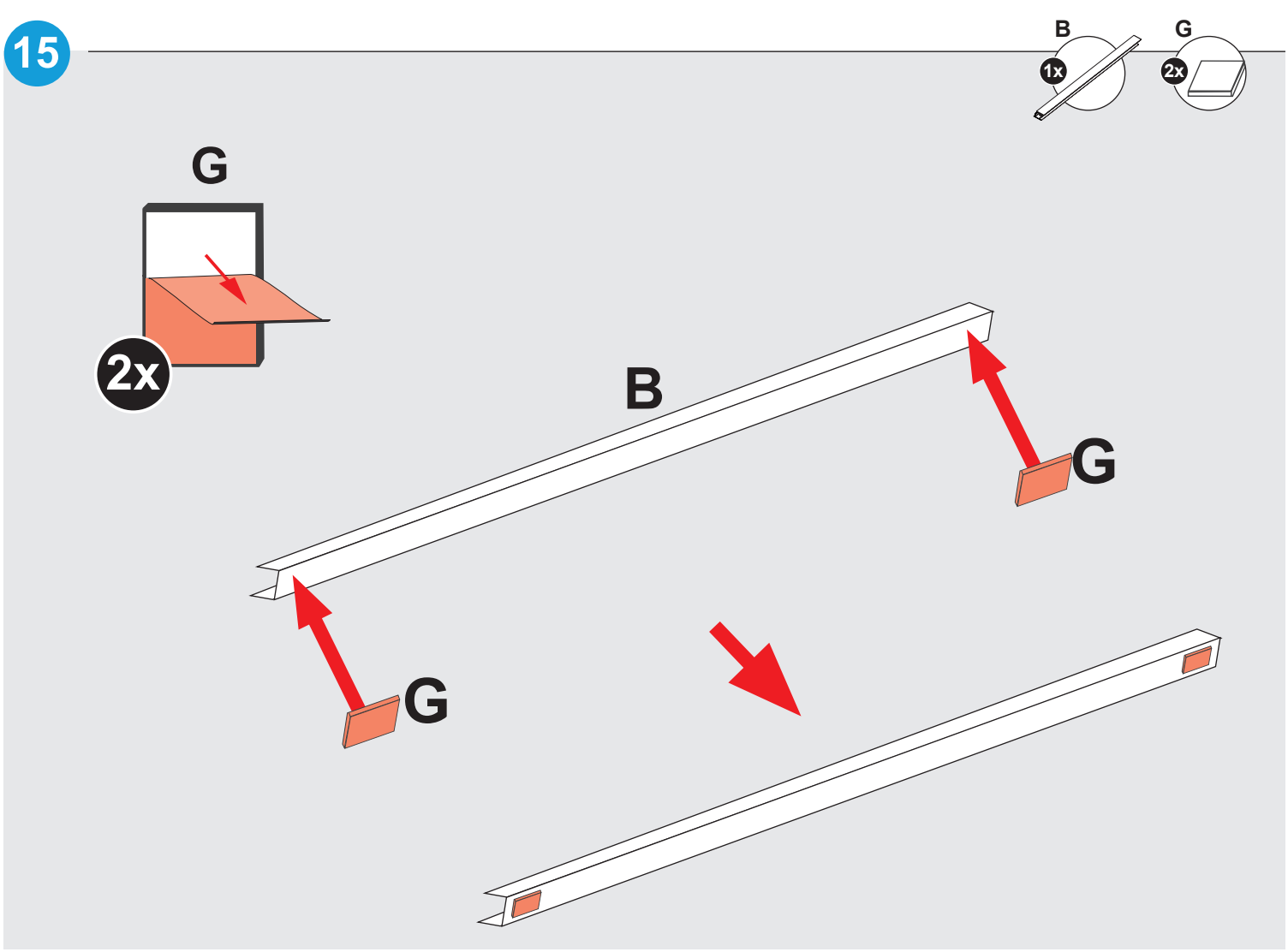


12 → 21

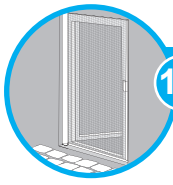
14



15

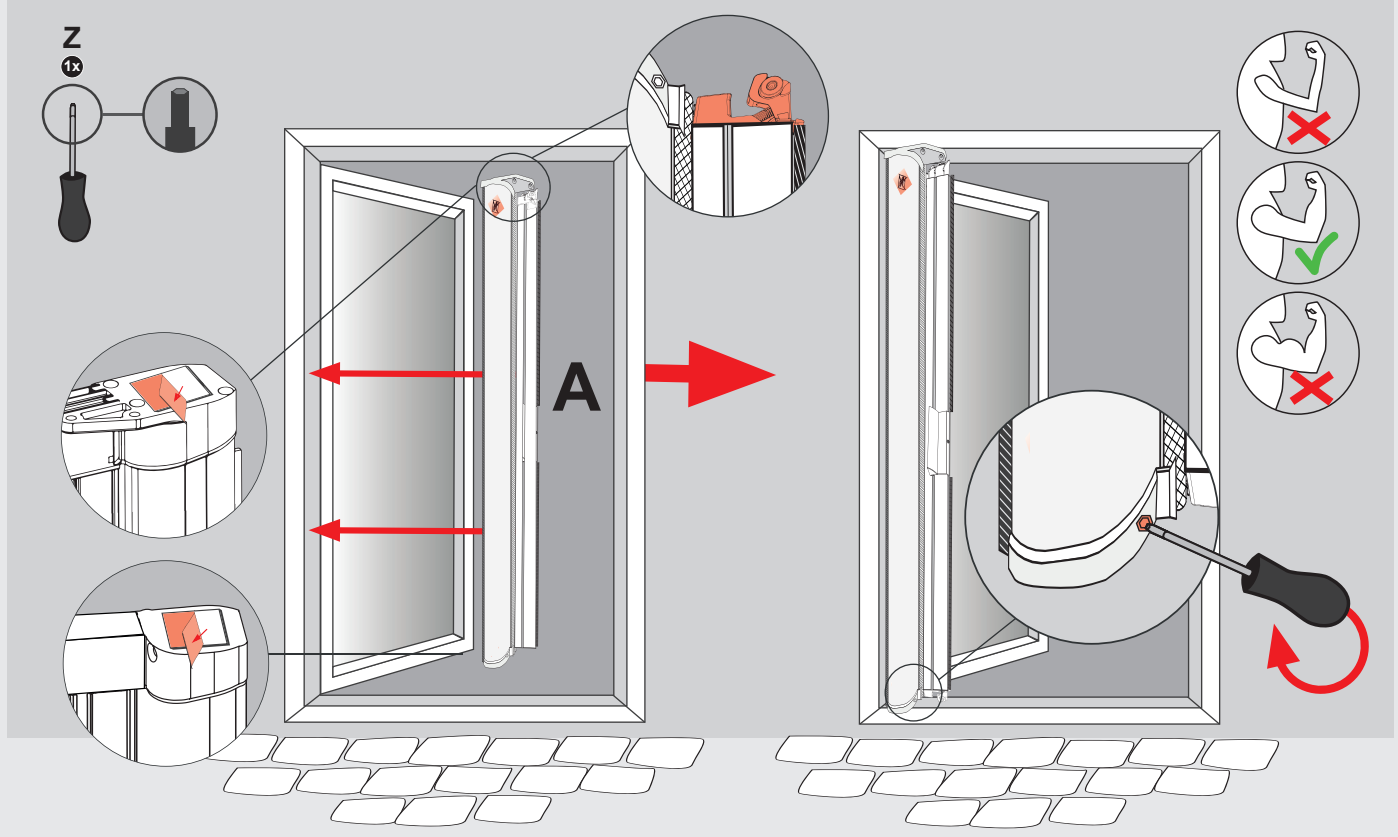






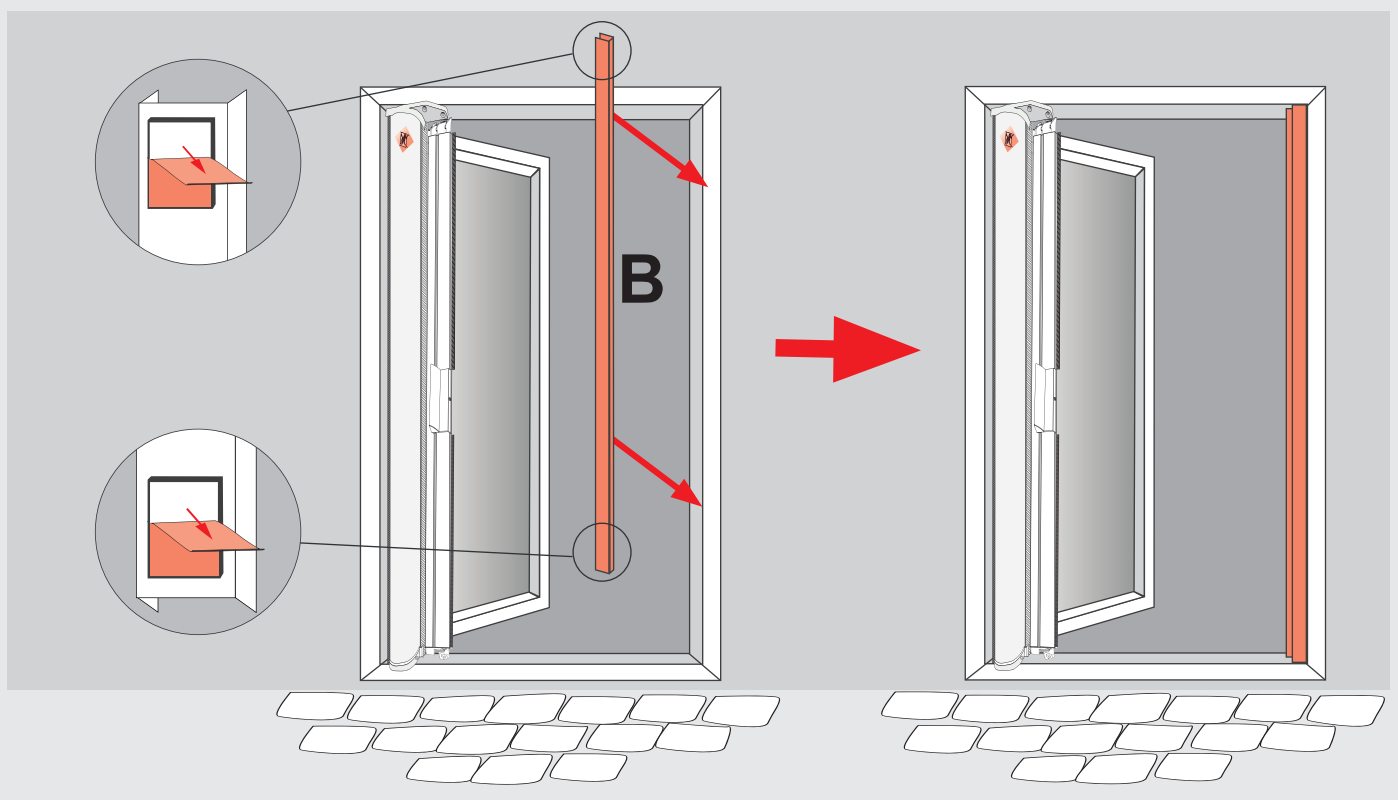
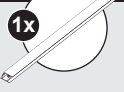
12 → 21

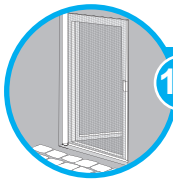
16



17

B&G



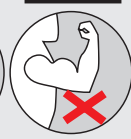
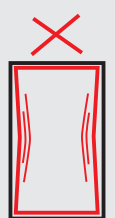
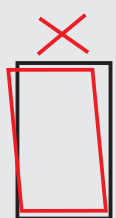
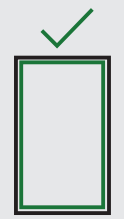
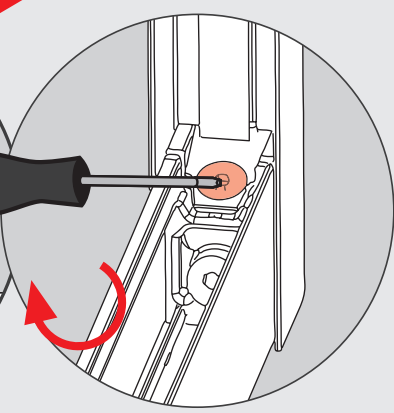
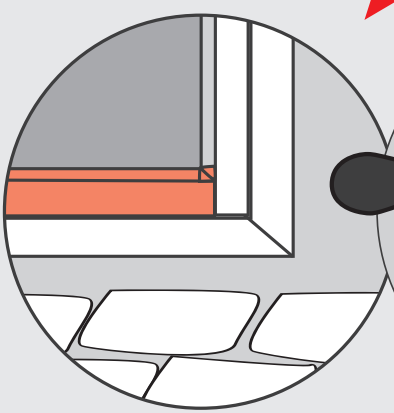
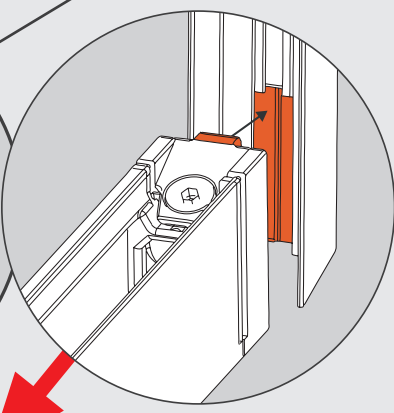
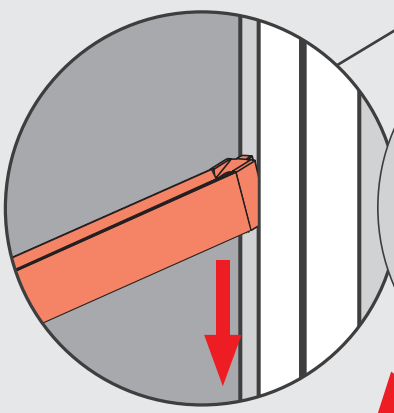
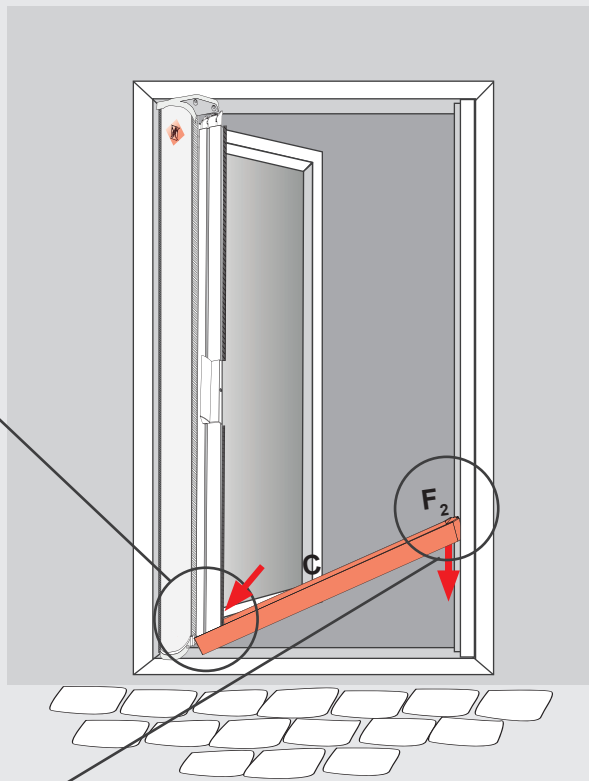
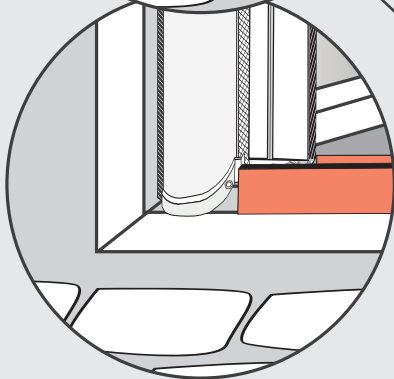
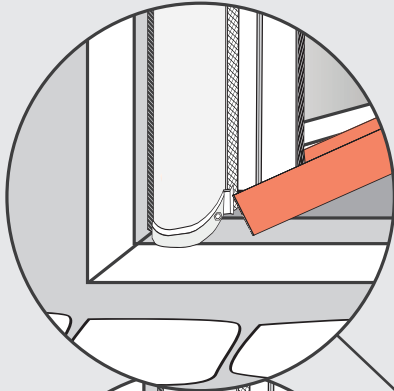
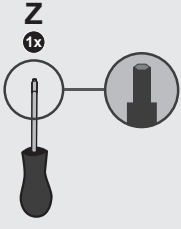
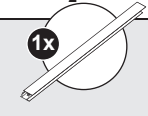


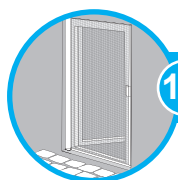
12 → 21

18

C&F<sub>2</sub>

1x



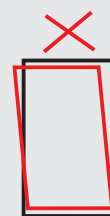
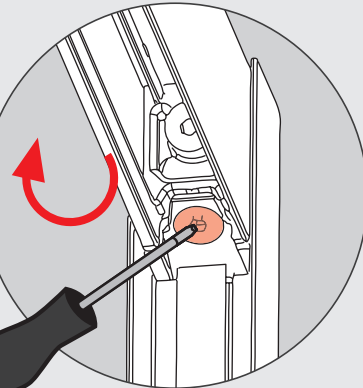
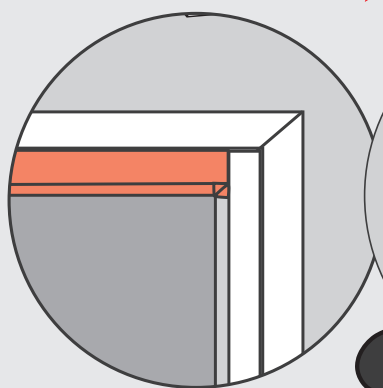
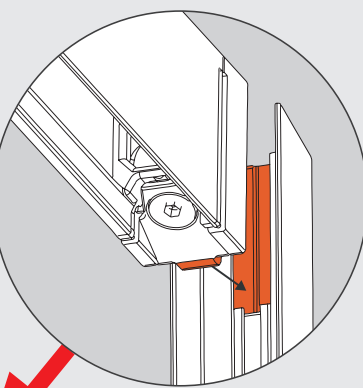
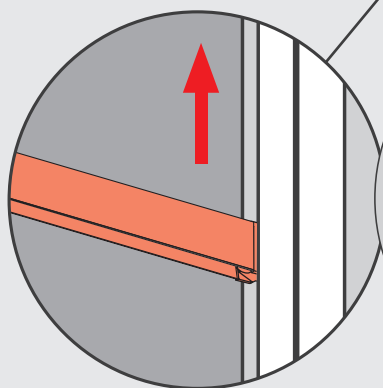
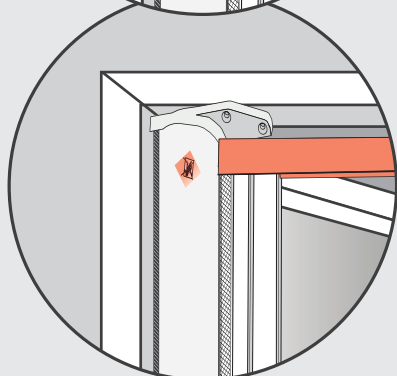
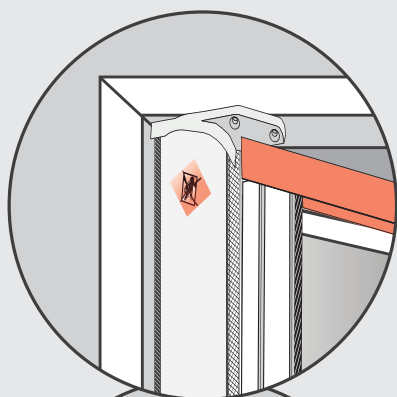
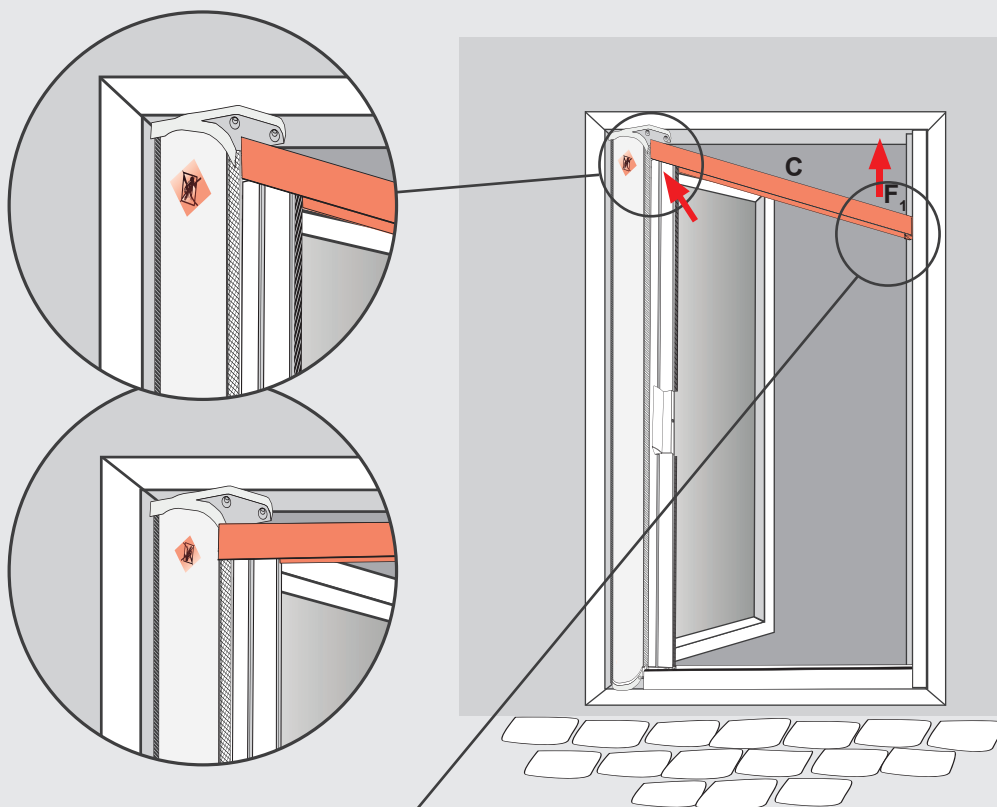
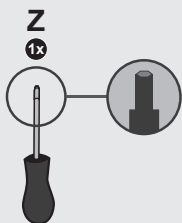
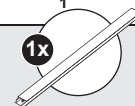


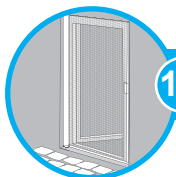
12 → 21

19

C&F<sub>1</sub>

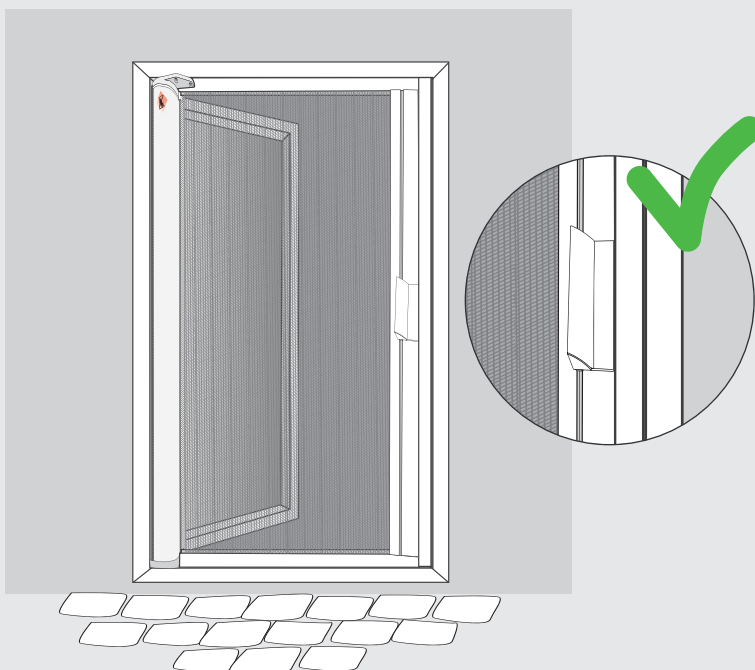
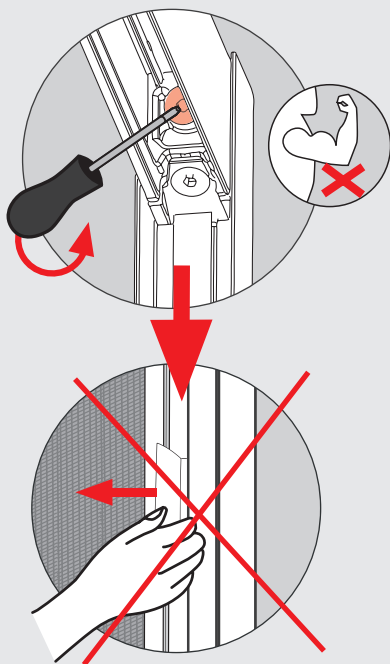
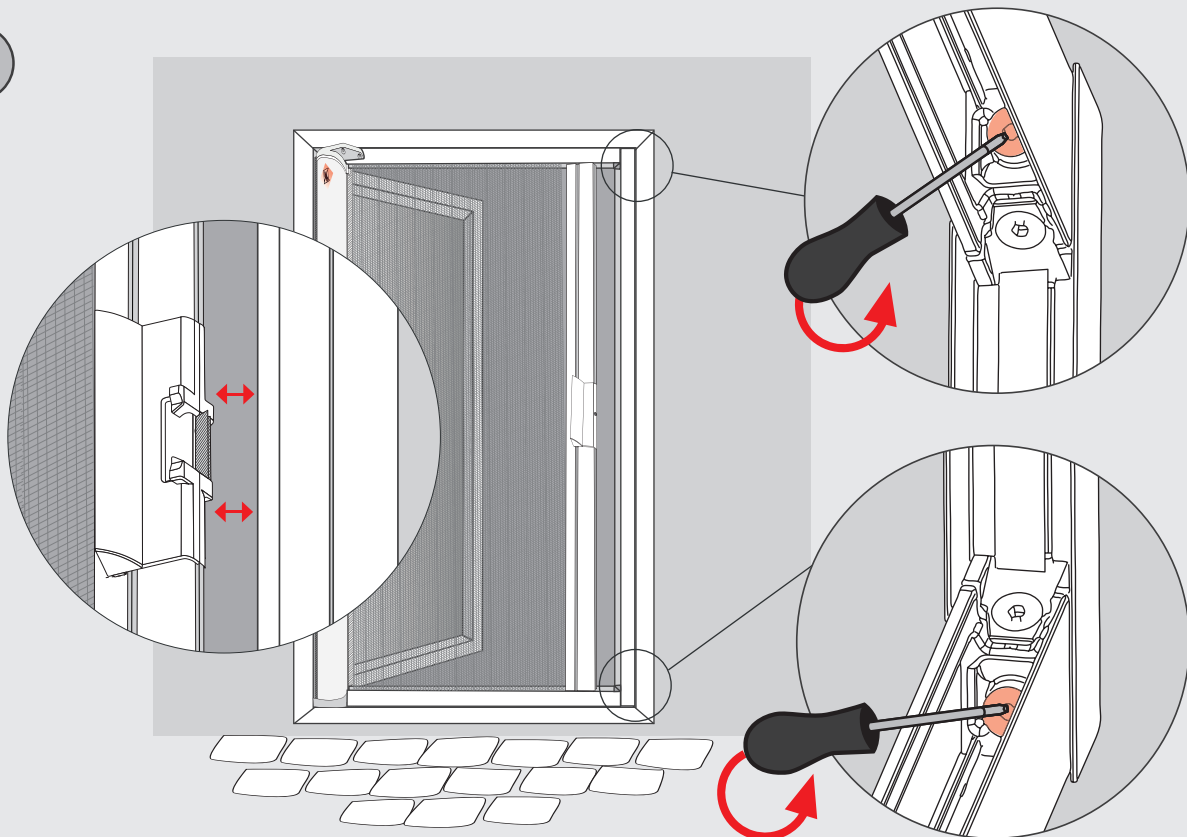
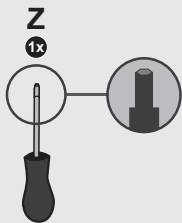
1x

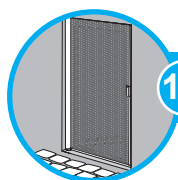




12 → 21

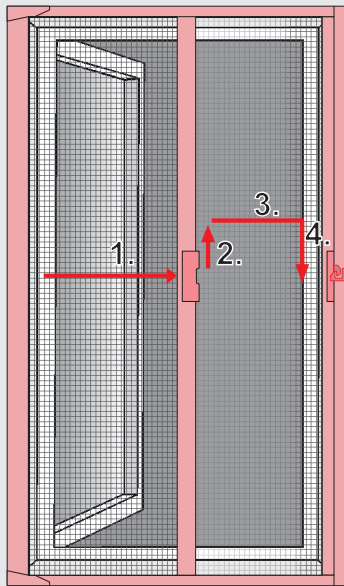
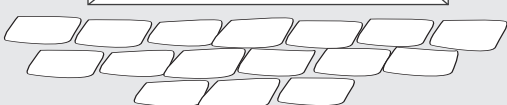
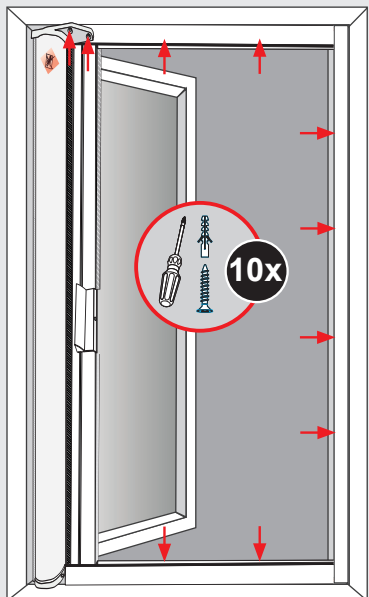
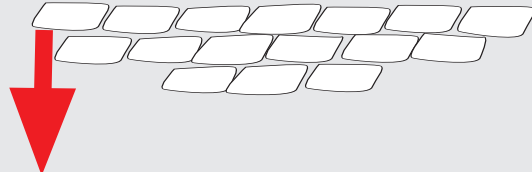
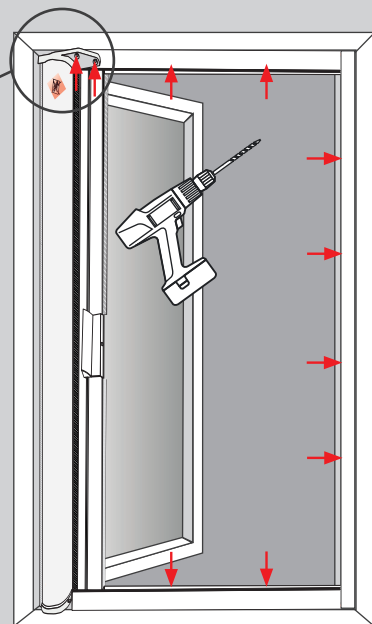
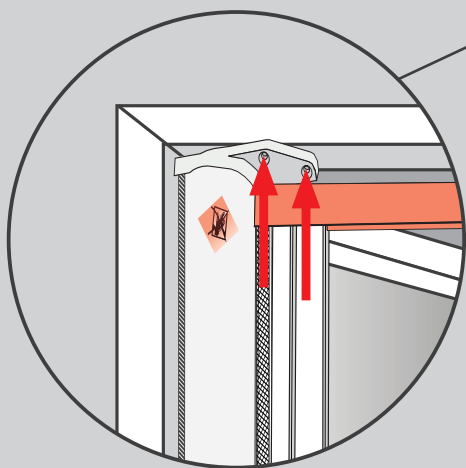
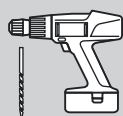
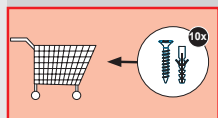
20

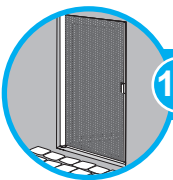




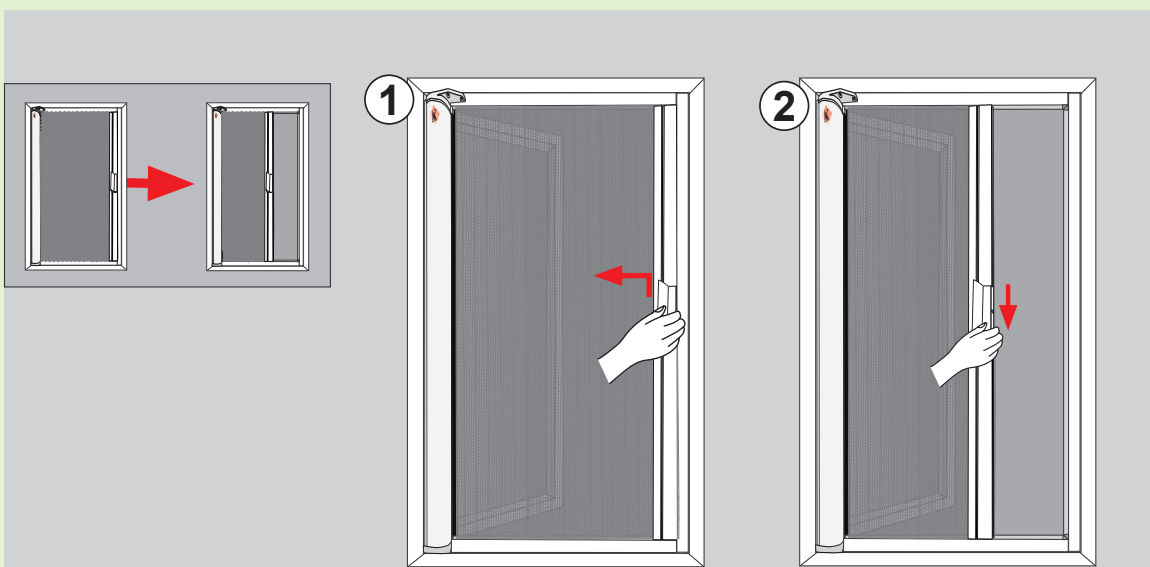
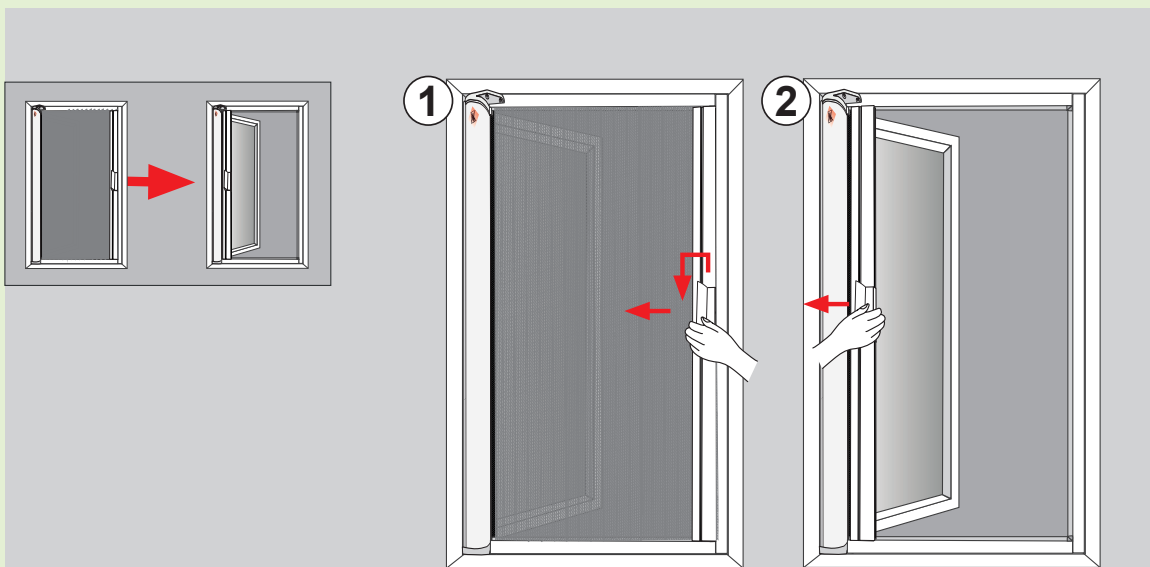
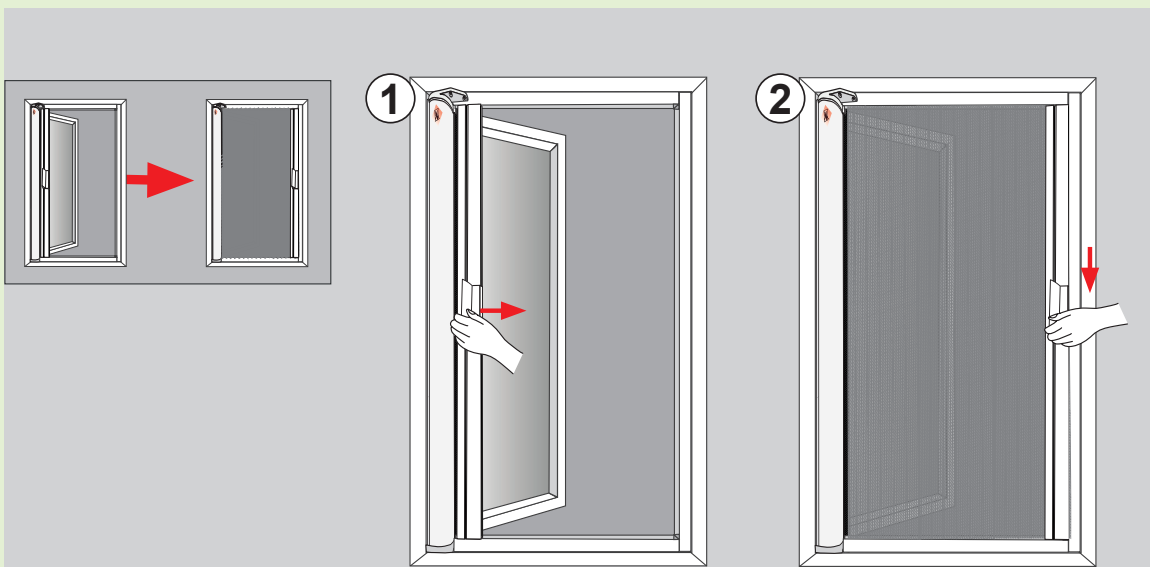
12 → 21

21

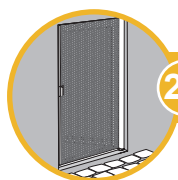




i

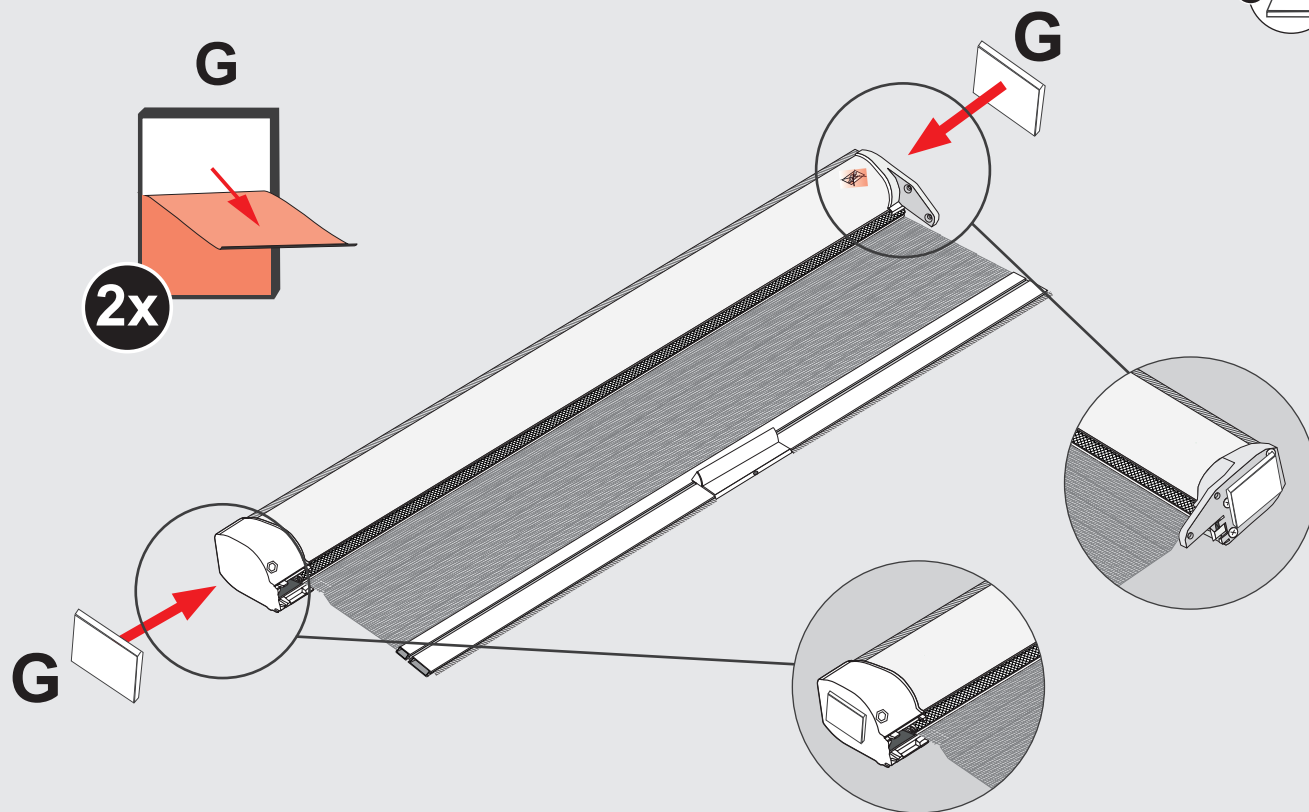
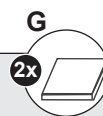




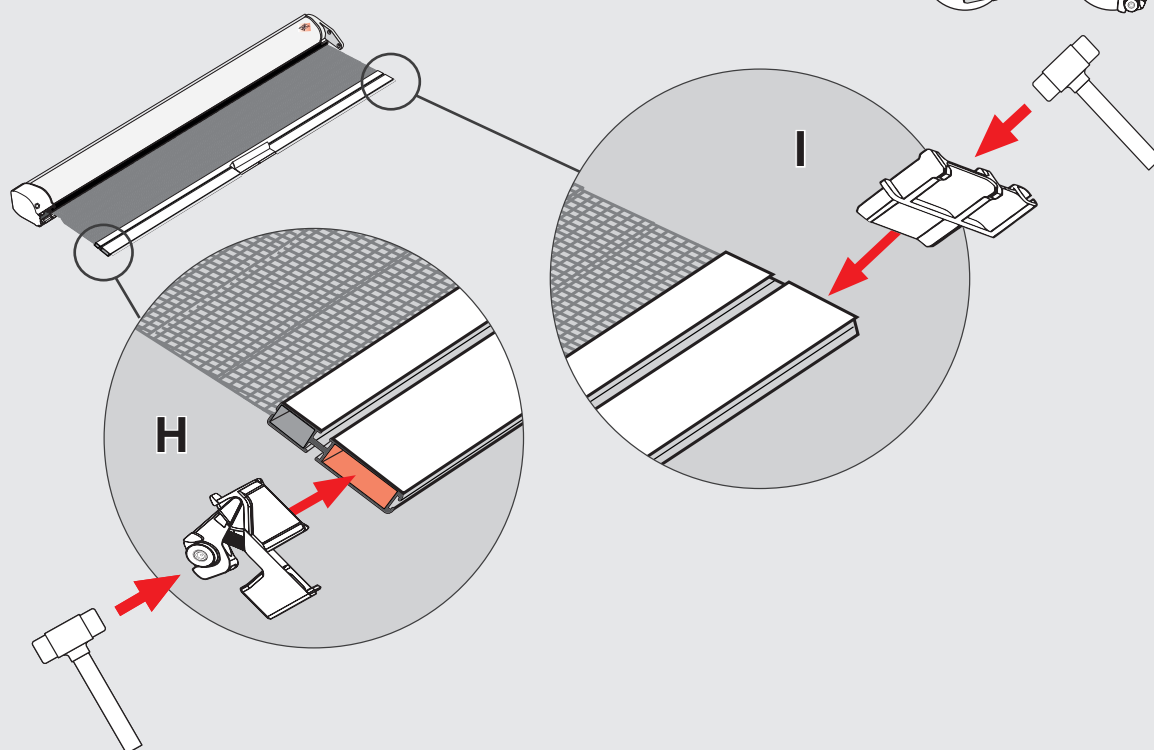
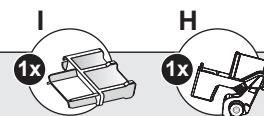


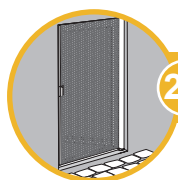
22 → 31

22



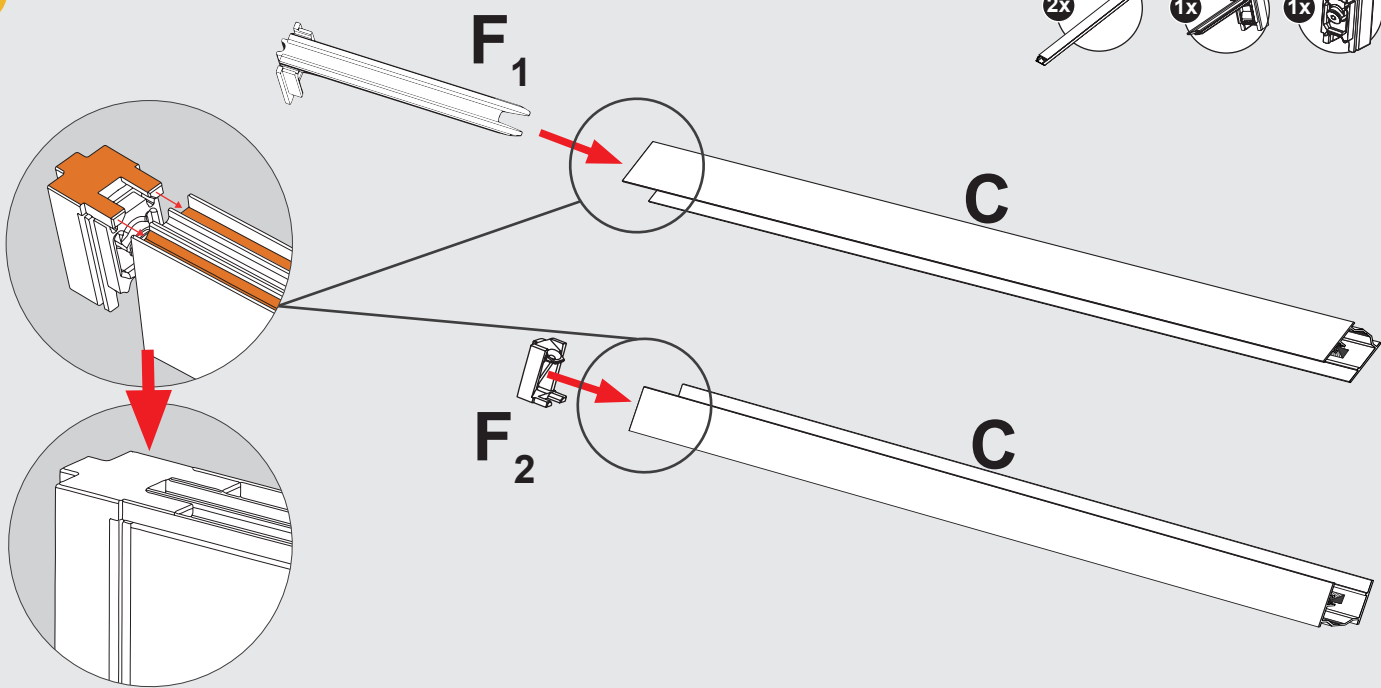
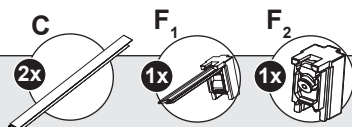
23



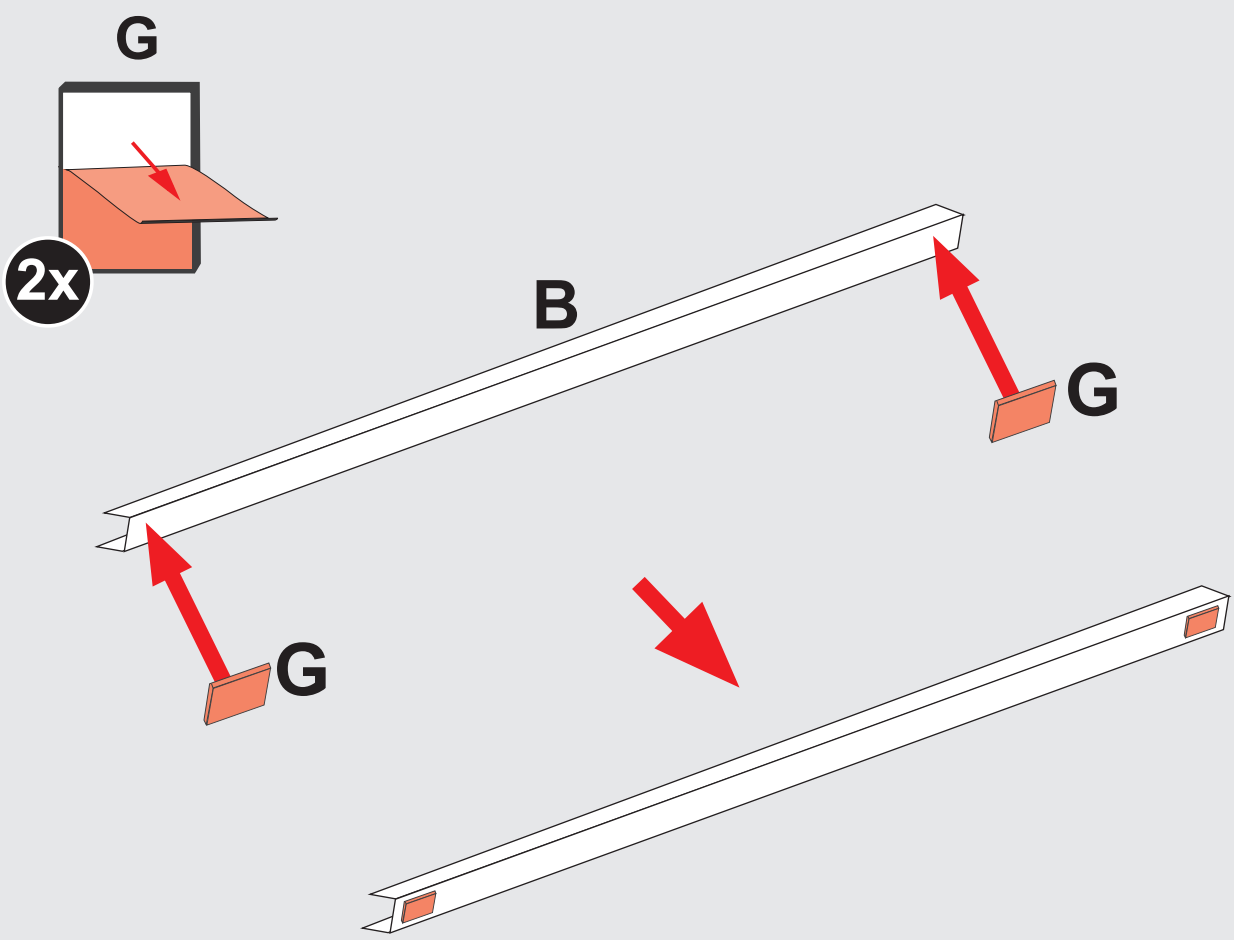
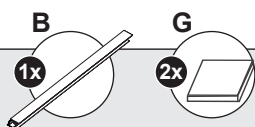


22 → 31

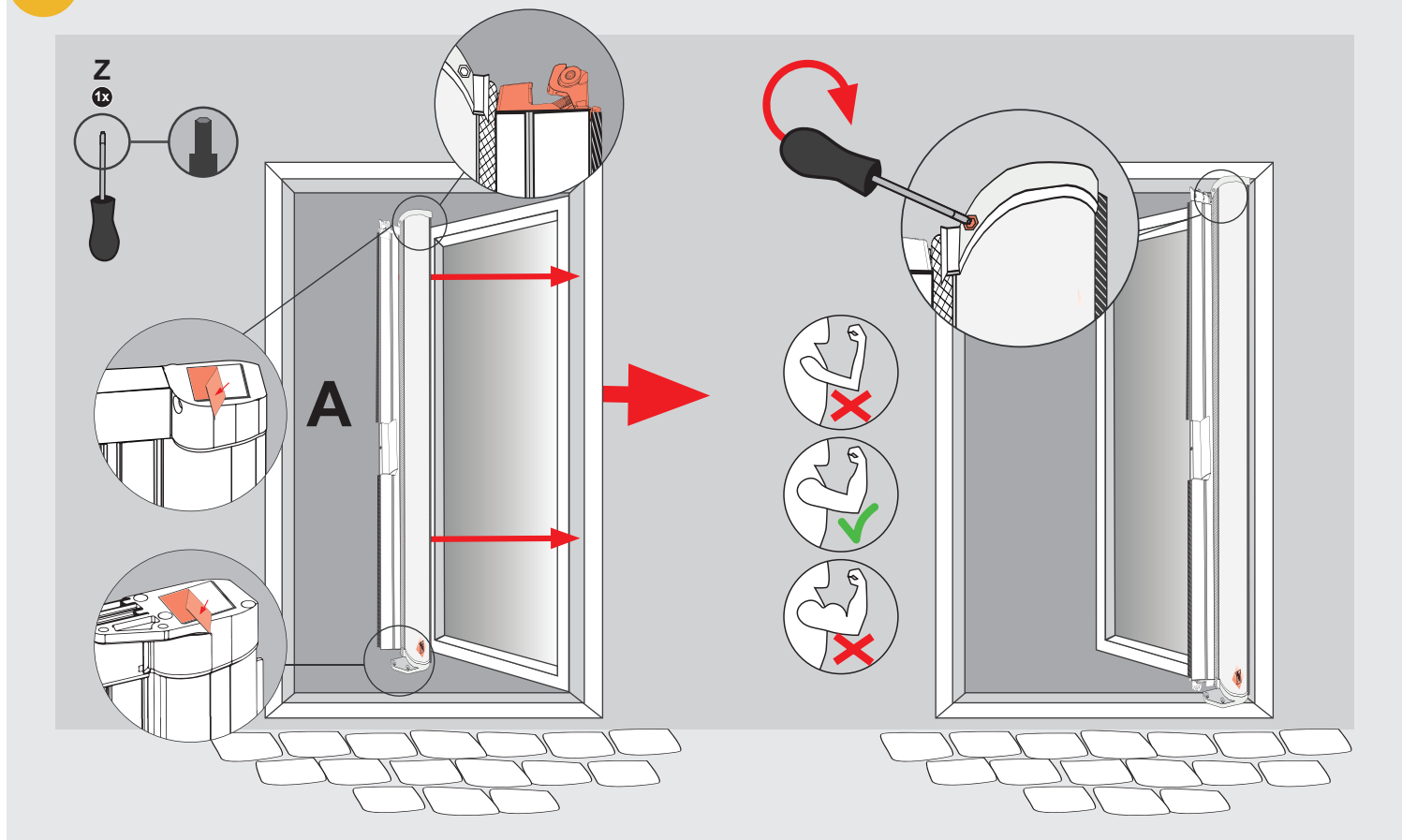
24



25



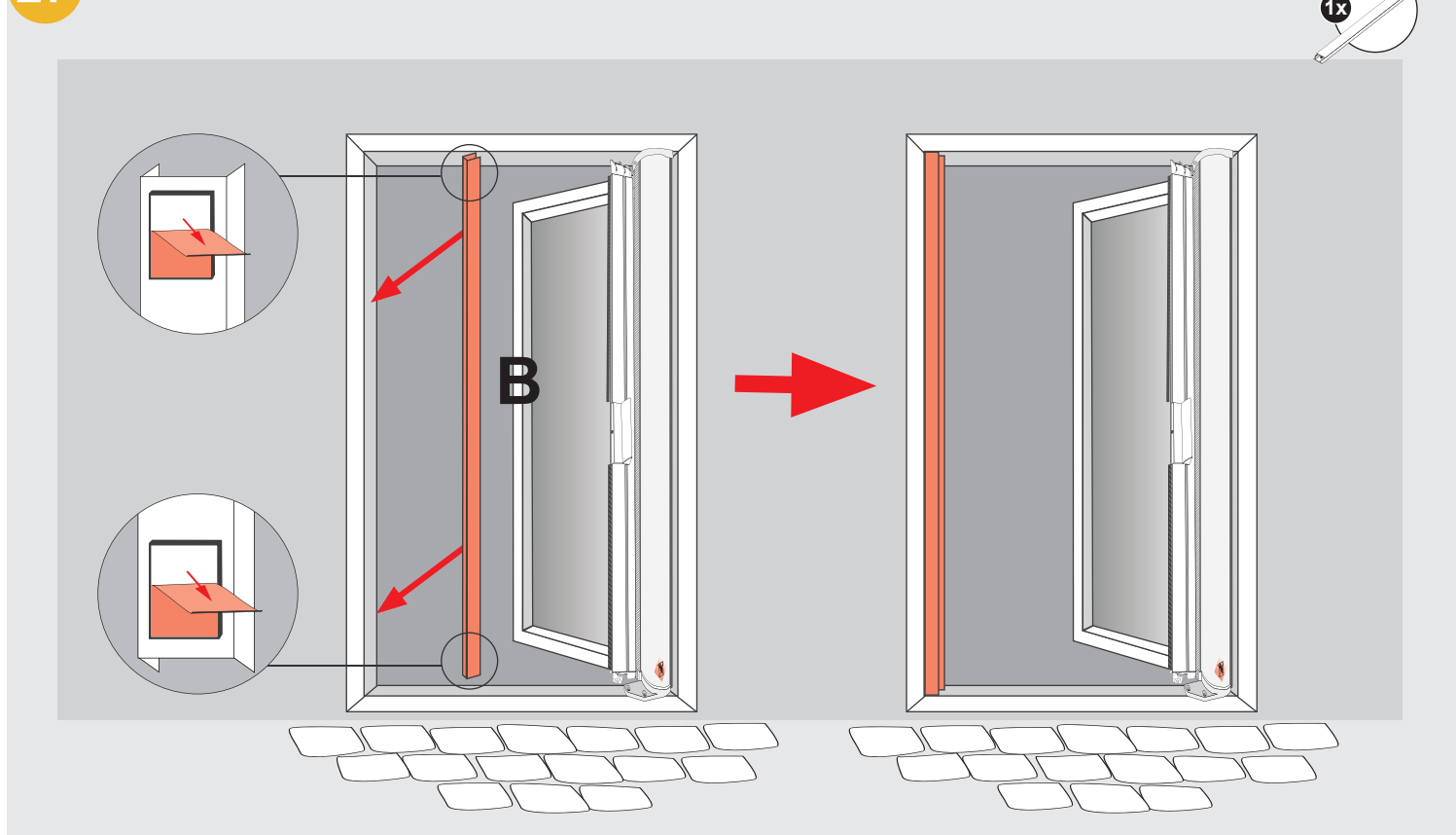
26

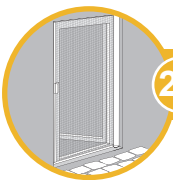


27

B&G

1x



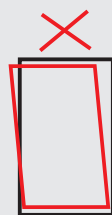
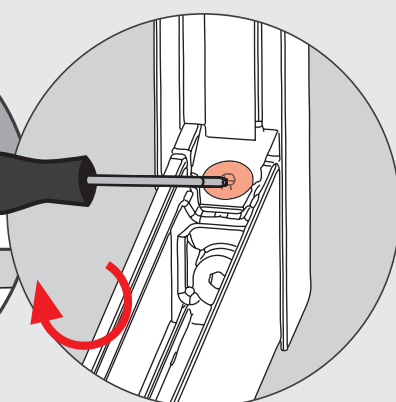
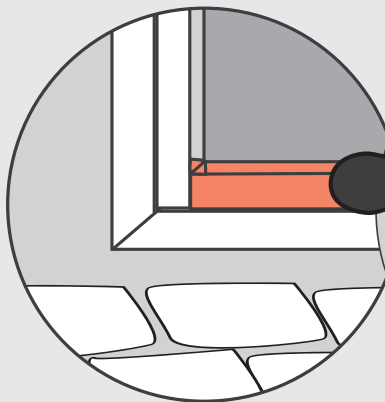
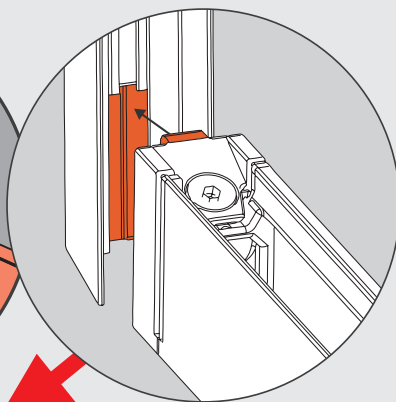
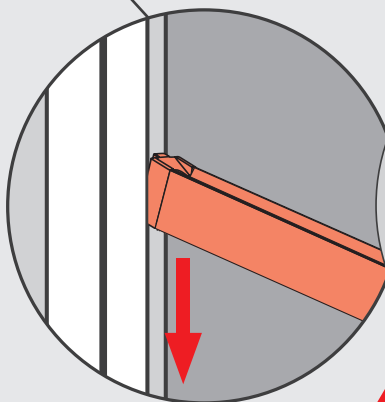
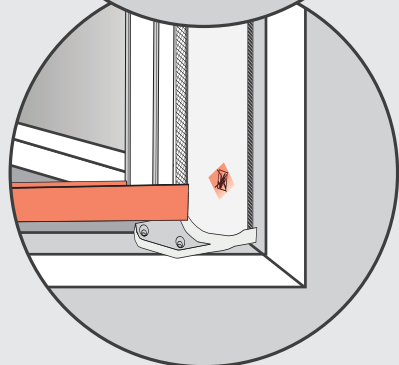
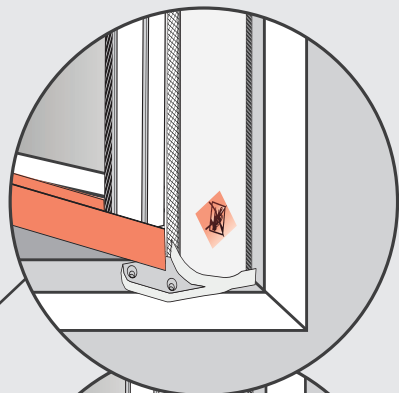
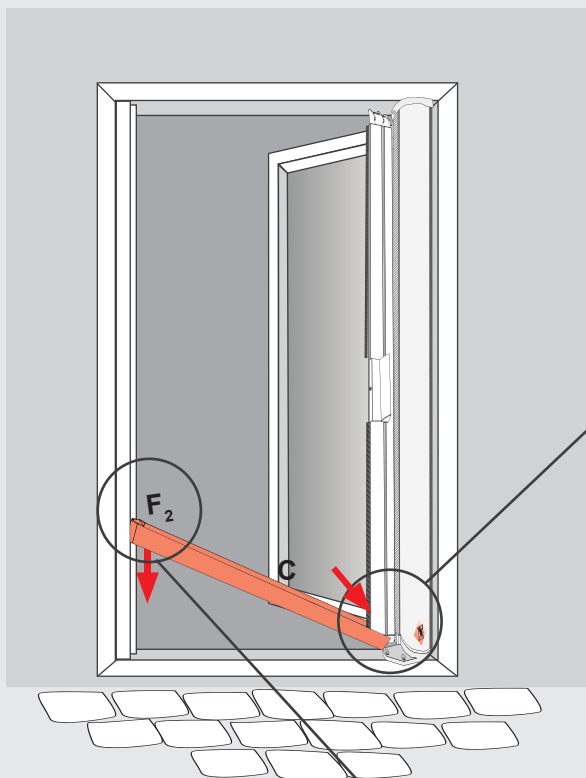
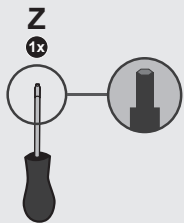
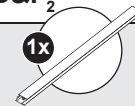


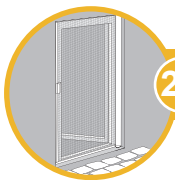
22 → 31

28

C&F<sub>2</sub>

1x



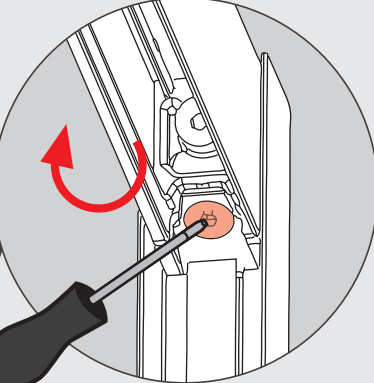
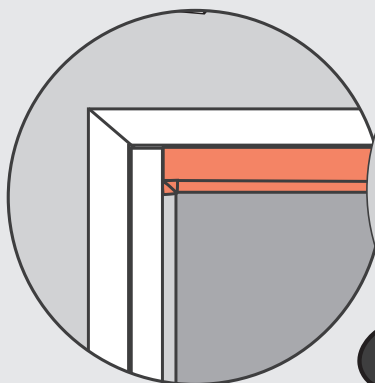
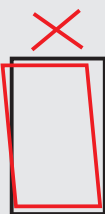
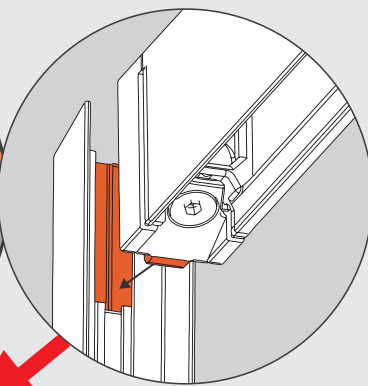
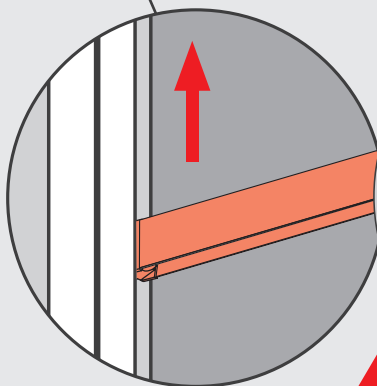
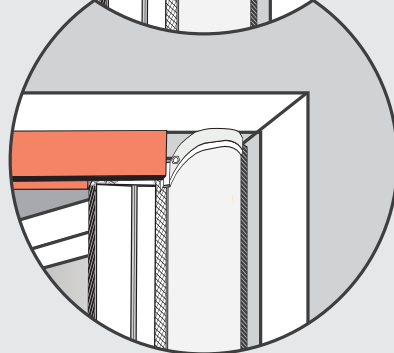
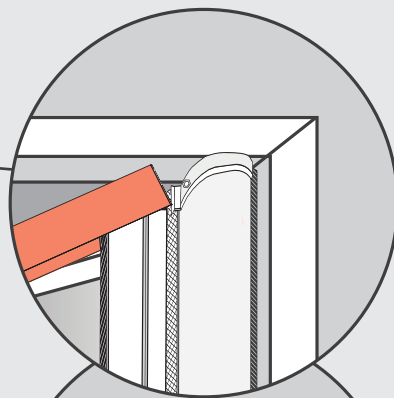
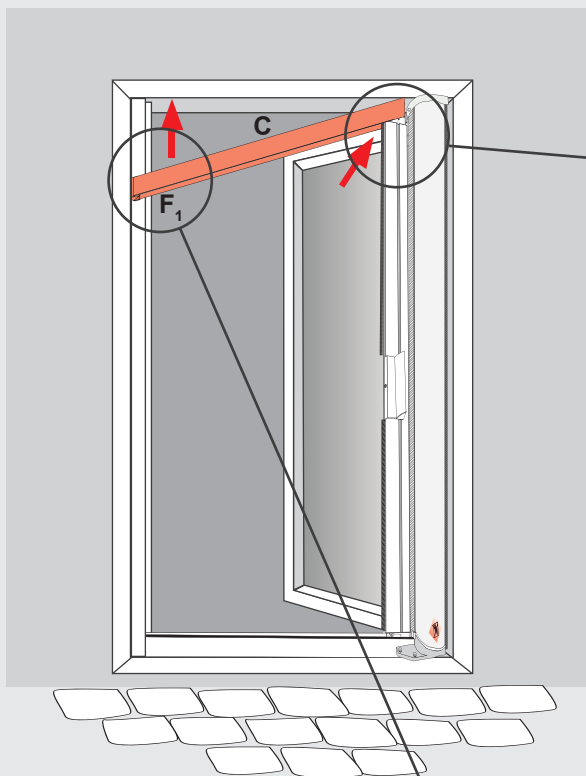
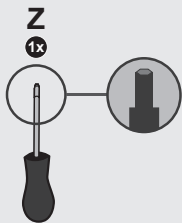
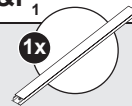


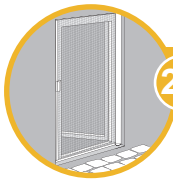
22 → 31

29

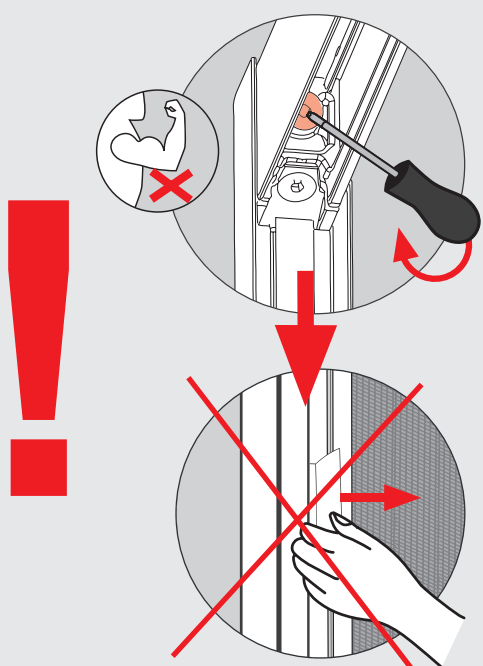
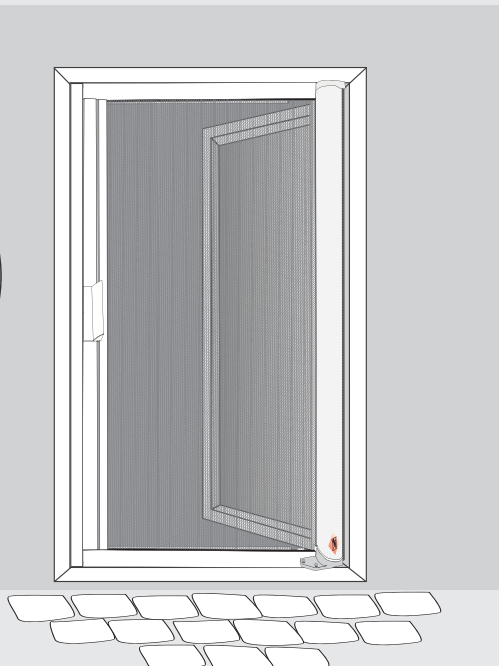
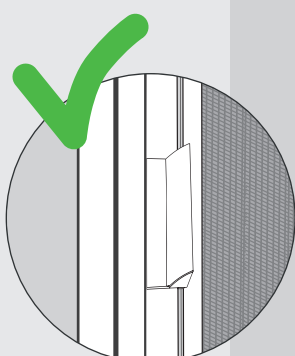
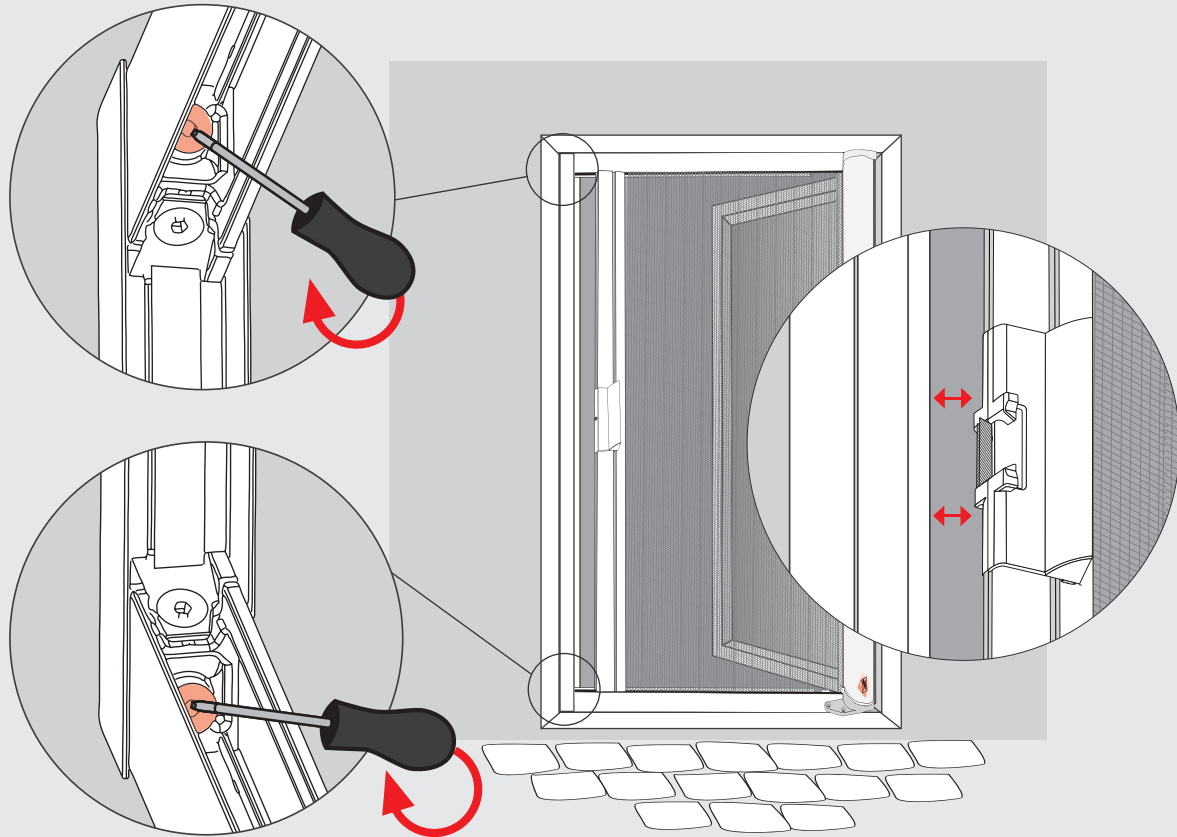
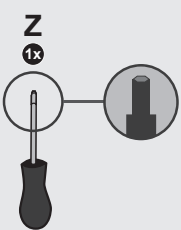
C&F<sub>1</sub>

1x

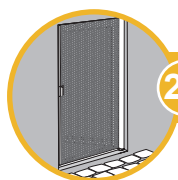




30

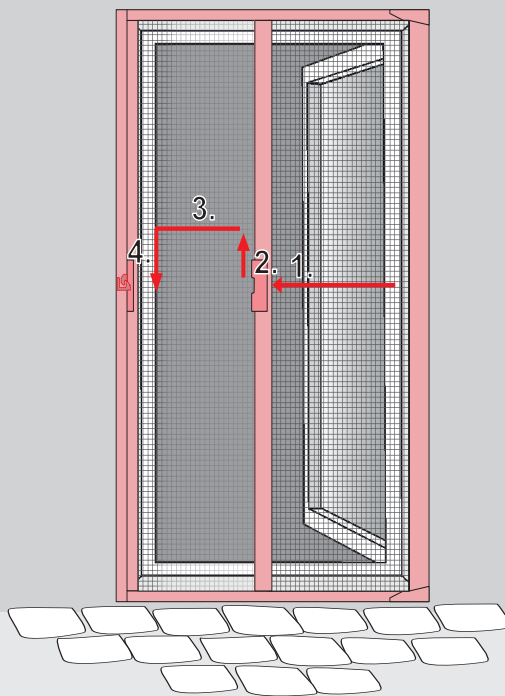
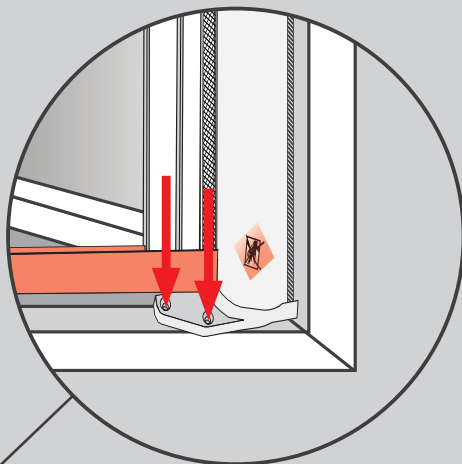
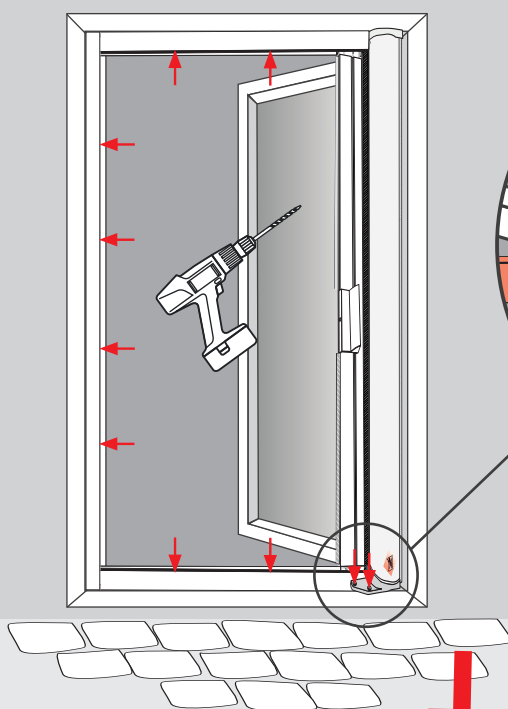
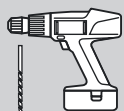
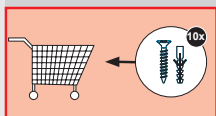






22 → 31

31



i

